

PARTS CATALOG

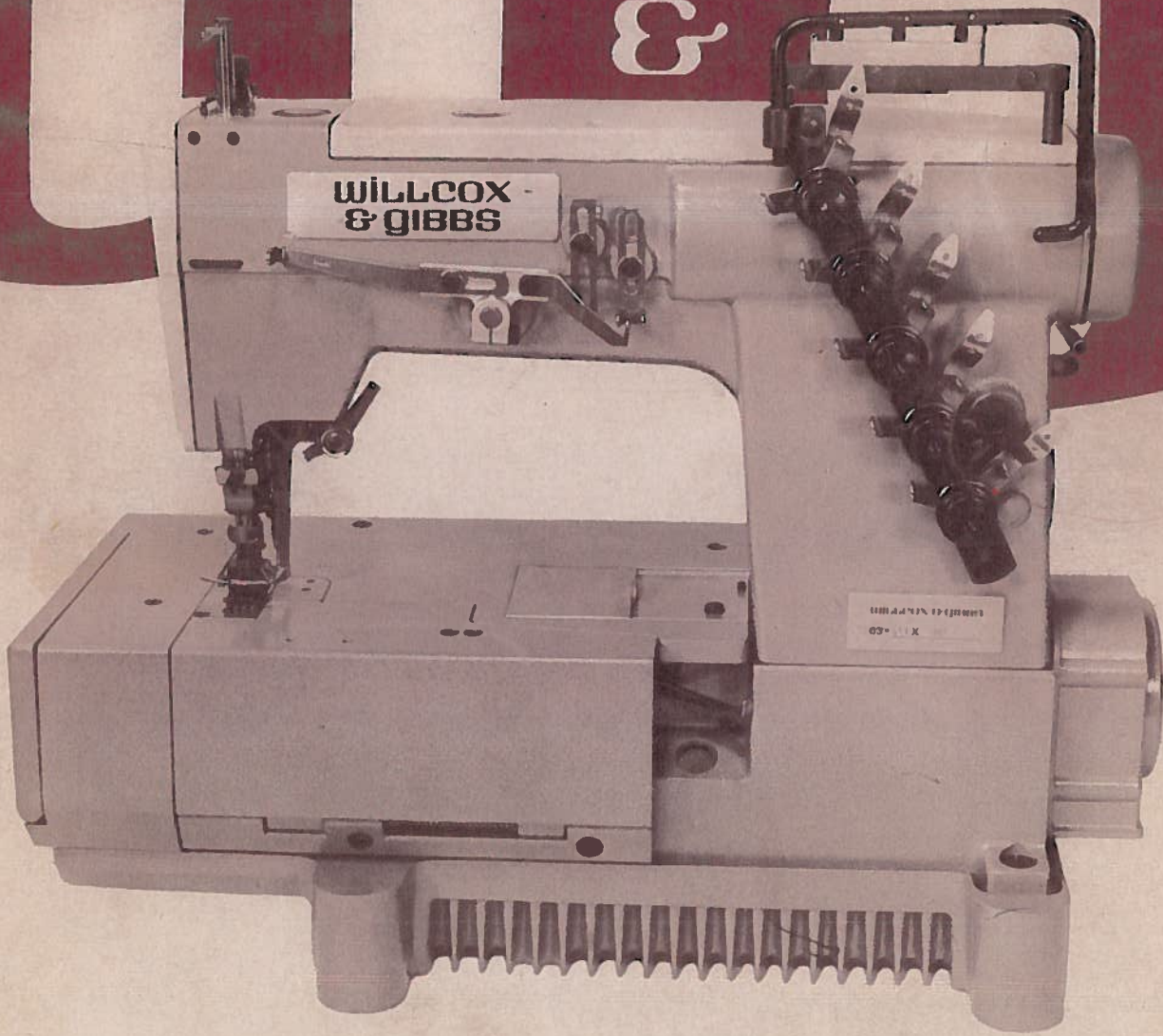
WILLCOX & GIBBS CLASS 43 & 63

(interlock stitch)



WILLCOX & GIBBS, INC.

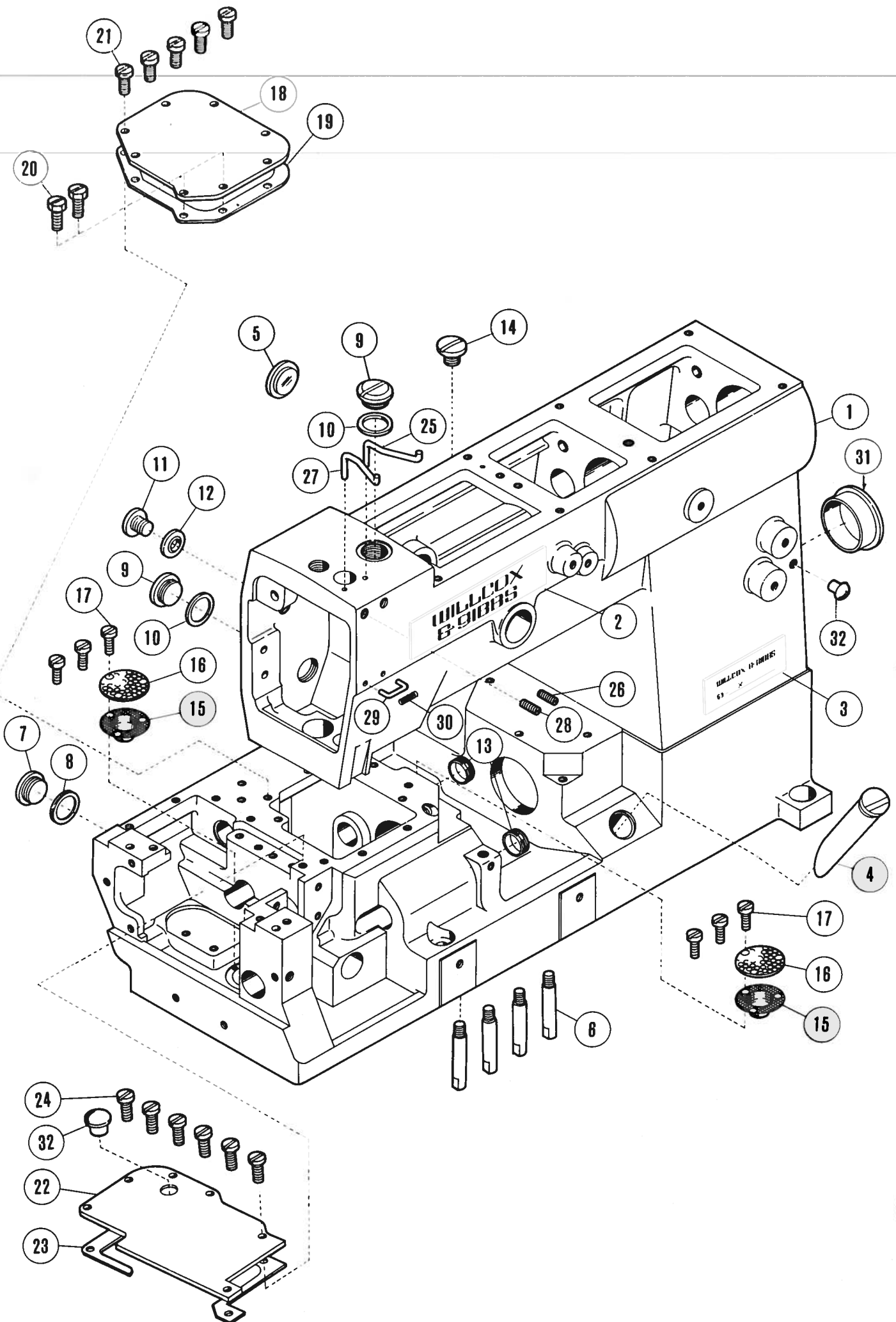
1040 AVENUE OF THE AMERICAS NEW YORK, NEW YORK 10010 (212) 565-7000





CONTENTS

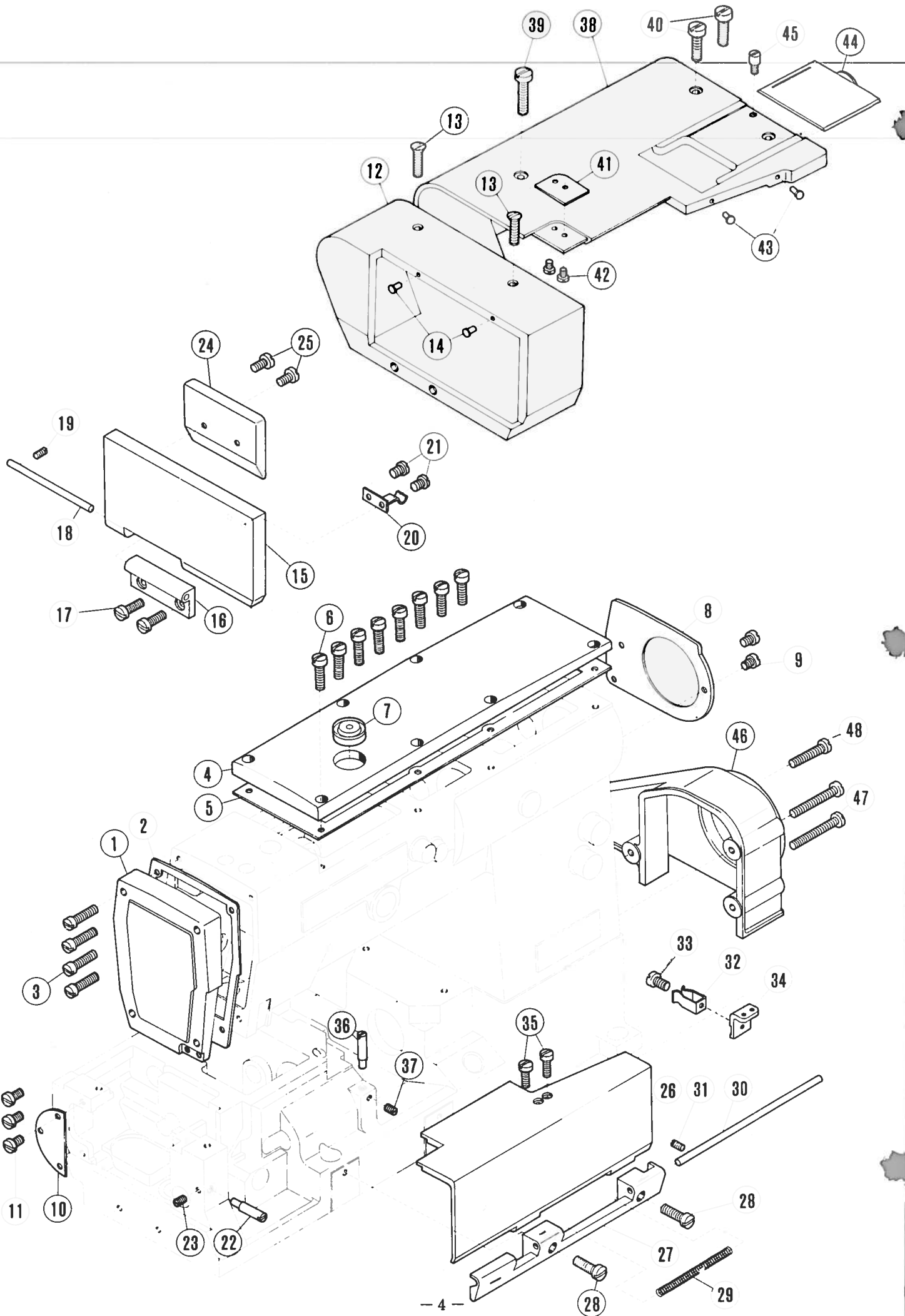
	<u>PAGE</u>
Machine bed frame	2-3
Main frame and miscellaneous covers	4-5
Crankshaft mechanism	6-7
Arm shaft mechanism	8-9
Needle drive mechanism	10-11
Needle guard drive mechanism	12-13
(1) Looper drive mechanism	14-15
(2) Looper drive mechanism	16-17
Main and differential feed drive mechanism	18-19
Presser foot and lift mechanism	20-21
Spreader drive mechanism	22-23
Needle and spreader thread takeup drive mechanism	24-25
Thread tension mechanism	26-27
(1) Pump lubricating mechanism	28-29
(2) Pump lubricating mechanism	30-31
Parts for needle and thread lubricator	32-33
Parts for models 63-02 and 43-02 only	34-35
Parts for semi-submerged installation	36-37
Thread stand	38-39
Accessories	40-41
List of organization parts	42-43
Numerical index of parts	44-51
Organization chart	52



MACHINE BED FRAME

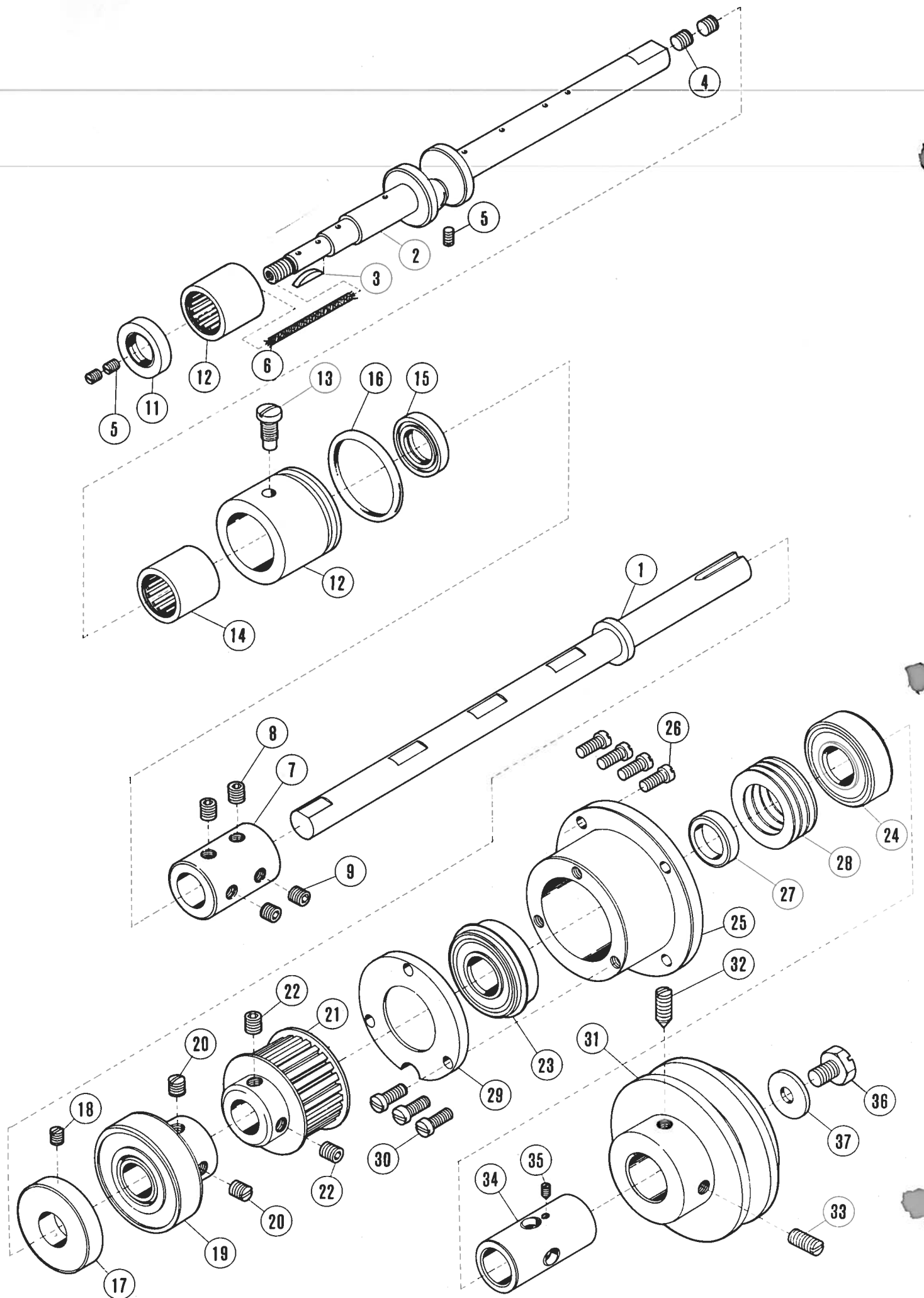
REF. NEW PRODUCT

<u>NO.</u>	<u>CODE NO.</u>	<u>OLD NO.</u>	<u>DESCRIPTION</u>
1	325-508-001	206001	Machine frame
2	325-692-001	206404	Name plate
3	325-692-002	206405	Type plate - model 63
4	325-656-002	206007	Oil sight gauge
5	325-656-003	206348	" " window (oil cleaner)
6	323-620-242	204006	Machine bed bottom pin (4)
7	323-600-329	5179	Dead hole plug
8	323-615-001	201006	" " " washer
9	323-600-329	5179	" " plug (2)
10	323-615-001	201006	" " " washer (2)
11	323-600-354	5138B	" " plug
12	323-615-229	202287A	" " " washer
13	323-627-205	204004	" " plug (2)
14	323-600-208	5198	Oil filler plug screw
15	323-655-001	201004	" filter screen (2)
16	323-800-002	201005	" " " plate (2)
17	323-600-021	1206	" " " " screw (6)
18	325-800-004	206008	Bed cover plate (right)
19	325-663-003	206009	" " " " gasket
20	323-600-271	2193	" " " " screw (2)
21	323-600-014	4009-1	" " " " screw (5)
22	325-800-005	206010	" " " (left)
23	325-663-004	206011	" " " " gasket
24	323-600-014	4009-1	" " " " screw (6)
25	325-811-001	206196	Thread guide hook (right)
26	323-600-069	1435	" " " " screw
27	325-811-002	206197	" " " (left)
28	323-600-069	1435	" " " " screw
29	325-851-001	201562A	Needle thread guide
30	325-640-002	206333	" " " " spring
31	325-627-003	206368	Dead hole plug
32	323-627-011	201755	Bed cover plate (left) plug (2)



MAIN FRAME-AND MISCELLANEOUS COVERS

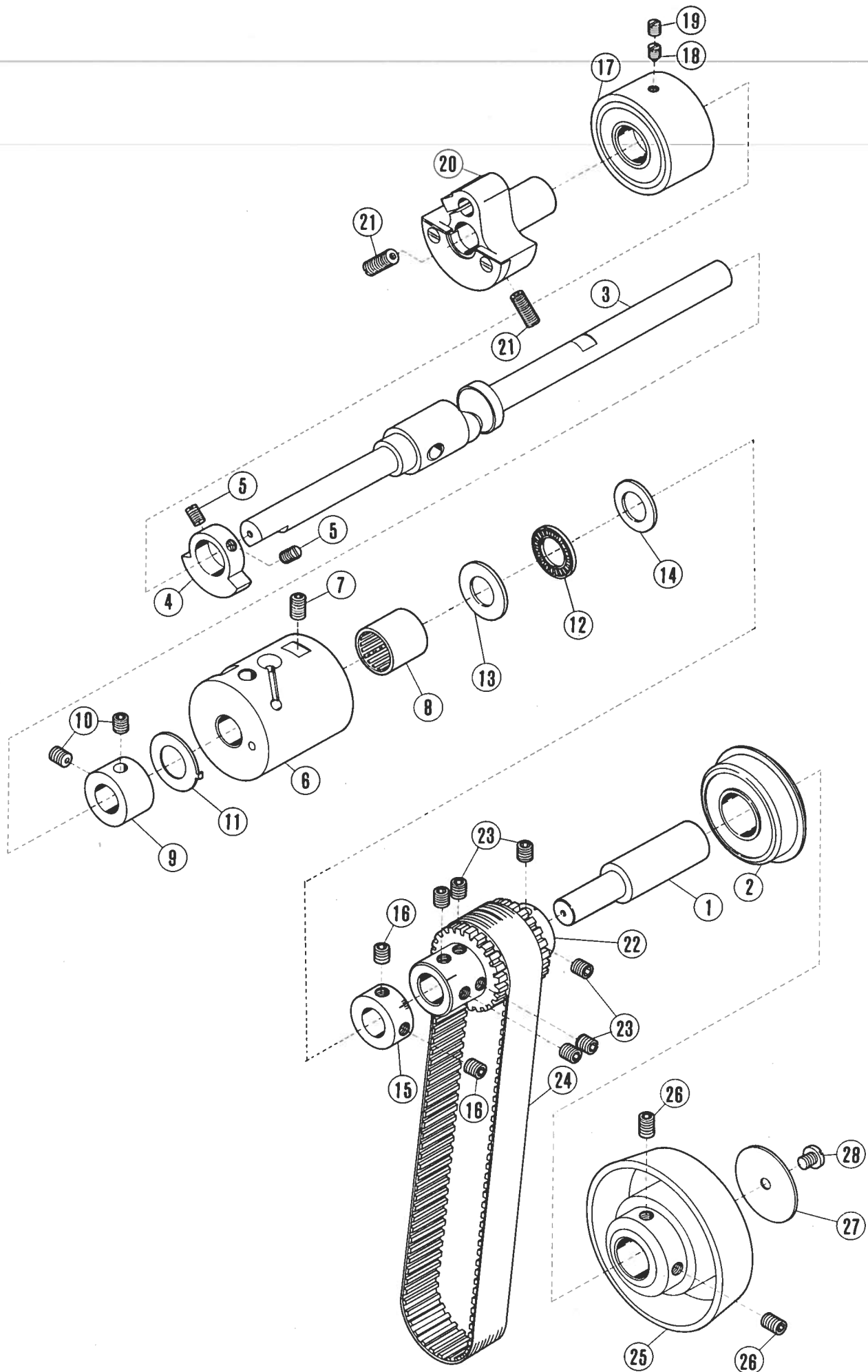
REF. NO.	NEW PRODUCT CODE NO.	OLD NO.	DESCRIPTION
1	325-800-001	206012	Face plate
2	325-663-001	206013	" " gasket
3	323-600-056	2213-1	" " screw (4)
4	325-510-001	206014	Machine arm top cover
5	325-663-002	206015	" " " " gasket
6	323-600-200	1156	" " " " screw (8)
7	325-656-001	206033	Oil sight window
8	325-510-002	206016	Machine arm cover (right)
9	323-600-014	4009-1	" " " " screw (2)
10	325-627-001	206017	Dead hole plug
11	323-600-039	5113	" " " " screw (3)
12	325-510-003	206019	Machine bed cover (left)
13	323-600-075	1732	" " " " screw (2)
14	325-627-002	192107-1	" " " " rubber-plug (2)
15	325-510-004	206020	" " side cover
16	325-728-001	206021	" " " " hinge
17	323-600-259	2902	" " " " " screw (2)
18	325-620-001	206022	" " " " " pin
19	323-600-264	5146	" " " " " screw
20	325-734-001	206023	" " " " latch
21	323-600-014	4009-1	" " " " " screw (2)
22	325-620-002	206024	" " " " " pin
23	323-600-037	1458	" " " " " screw
24	325-510-005	206018	Feed bar cover
25	323-600-014	4009-1	" " " " screw (2)
26	325-510-006	206025	Front cover
27	325-728-002	206026	" " " " hinge
28	323-600-216	2903	" " " " screw (2)
29	325-640-001	206351	" " " " pin spring
30	325-620-003	206027	" " " " pin
31	323-600-034	1459	" " " " " screw
32	325-734-002	206028	" " " " latch
33	323-600-039	5113	" " " " screw
34	325-740-001	206029	" " " " bracket
35	323-600-301	1189	" " " " " screw (2)
36	325-620-002	206024	" " " " pin
37	323-600-037	1458	" " " " " screw
38	325-510-007	206031	Rear cover
39	323-600-038	5095	" " " " screw (long)
40	323-600-061	5152	" " " " (short) (2)
41	325-800-002	206030	" " " " plate
42	323-600-074	2905	" " " " screw (2)
43	325-627-002	192107-1	" " " " rubber-plug (2)
44	325-800-003	206032	" " " " slide plate
45	325-600-004	5105	" " " " " stop screw
46	325-510-008	206034	Machine pulley cover
47	325-600-005	5393	" " " " " screw (long) (2)
48	323-600-072	5094	" " " " " (short)



CRANKSHAFT MECHANISM

REF. NEW PRODUCT

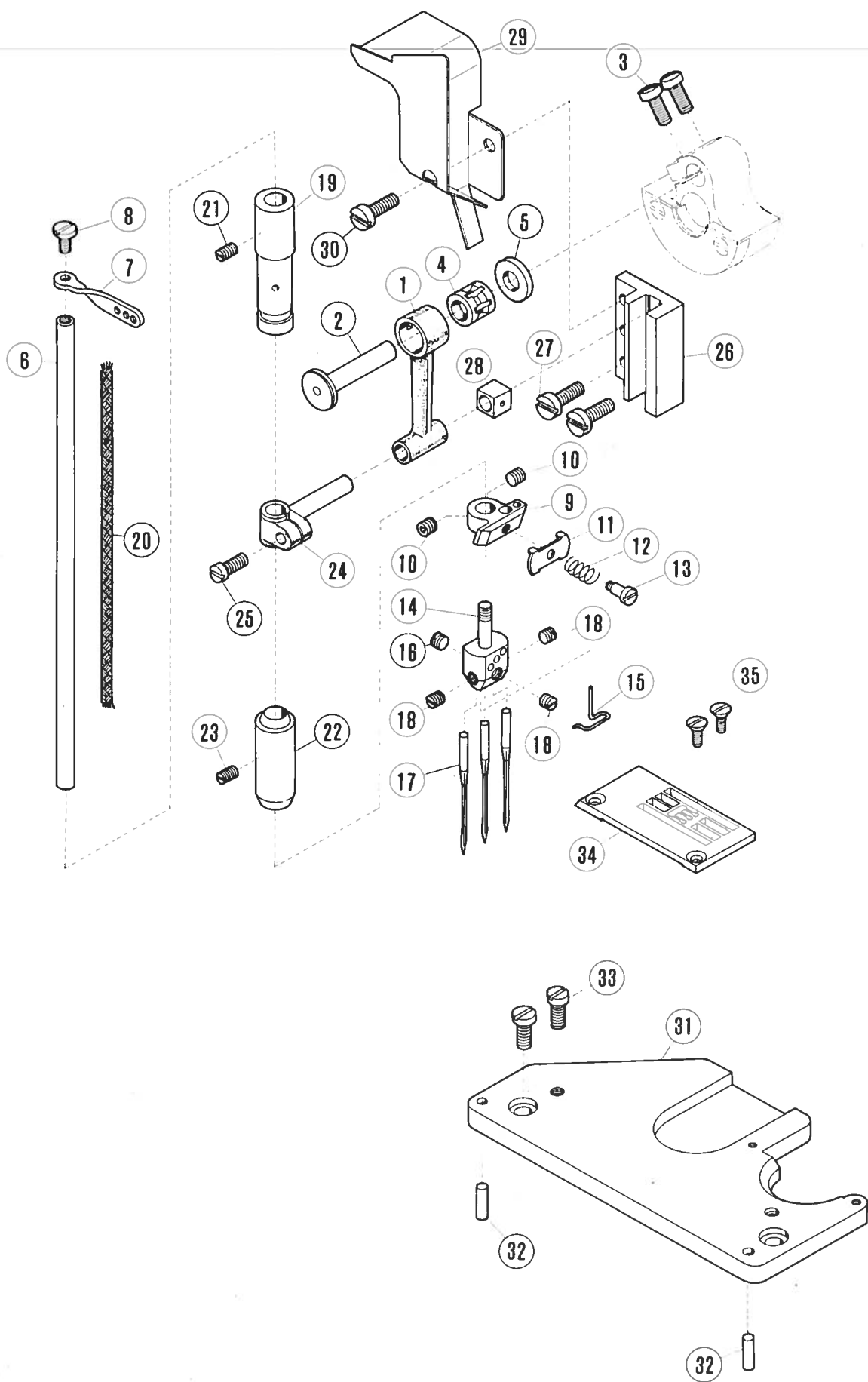
NO.	CODE NO.	OLD NO.	DESCRIPTION
1	325-758-002	206068	Crankshaft extension
2	325-540-002	206354	Crankshaft
3	325-649-001	206330	" key
4	323-600-286	1448	" oil plug screw (large) (2)
5	323-600-033	1892	" " " " (small) (3)
6	325-653-001	206070	" " wick
7	325-557-001	206071	" coupling
8	323-600-127	5385	" " screw (long) (2)
9	323-600-351	5312	" " " (short) (2)
10	325-672-002	206077	" needle bearing (left)
11	325-634-001	206042	" " " " oil seal ring
12	325-676-002	206074	" bushing (center)
13	325-600-007	5384	" " " screw
14	325-672-002	206077	" needle bearing (right)
15	325-634-002	206078	" " " " oil seal ring
16	325-632-001	206079	" bushing (center) 'o' ring
17	325-627-004	206080	Dead hole plug
18	323-600-037	1458	" " " screw
19	325-671-002	206081	Crankshaft ball bearing (left)
20	323-600-043	2022	" " " " screw
21	325-546-002	206084	" belt pulley
22	323-600-351	5312	" " " screw (2)
23	325-671-003	206087	" ball bearing (center)
24	325-671-004	201512	" " " (right)
25	325-515-002	206088	" " " housing
26	323-600-110	5325	" " " " screw (4)
27	325-634-003	201517	" " " ring
28	325-641-001	201514	" " " spring (4)
29	325-800-006	201515	" " " housing plate
30	323-600-011	5002	" " " " screw (3)
31	325-546-003	206089	Machine pulley
32	325-600-008	5398	" " position screw
33	325-600-009	5399	" " screw
34	325-680-003	206090	" " collar
35	323-600-295	5267	" " " position screw
36	323-600-294	5238	" " " screw
37	323-615-006	201104	" " " " washer



ARM SHAFT MECHANISM

REF. NEW PRODUCT

NO.	CODE NO.	OLD NO.	DESCRIPTION
1	325-758-001	206036	Arm shaft extension
2	325-676-001	206037	" " " bushing
3	325-540-001	206038	" shaft
4	325-579-001	206347	Counter balance
5	323-600-004	5060	" " screw (2)
6	325-515-001	206040	Exhaust pump housing
7	323-600-127	5385	" " " screw
8	325-672-001	206041	Arm shaft needle bearing (center)
9	325-680-001	206047	" " thrust collar
10	323-600-351	5312	" " " " screw (2)
11	325-615-001	206048	" " " " washer
12	325-615-002	206362	" " needle bearing thrust washer
13	325-646-001	206363	" " " " " " spacer (large)
14	325-646-002	206364	" " " " " " " (small)
15	325-680-002	206137	Timing collar
16	323-600-351	5312	" " " screw (2)
17	325-671-001	206043	Arm shaft ball bearing (left)
18	323-600-225	5058	" " " " " position screw
19	323-600-316	2913-2	" " " " " screw
20	325-579-002	206349	" " motion
21	325-600-006	5388	" " " screw (2)
22	325-546-001	206049	" " drive belt pulley
23	323-600-351	5312	" " " " " screw (6)
24	325-550-001	206050	" " " belt
25	325-571-001	206051	Handwheel
26	323-600-127	5385	" screw (2)
27	323-800-200	202523	" name plate
28	323-600-209	5214	" " " screw

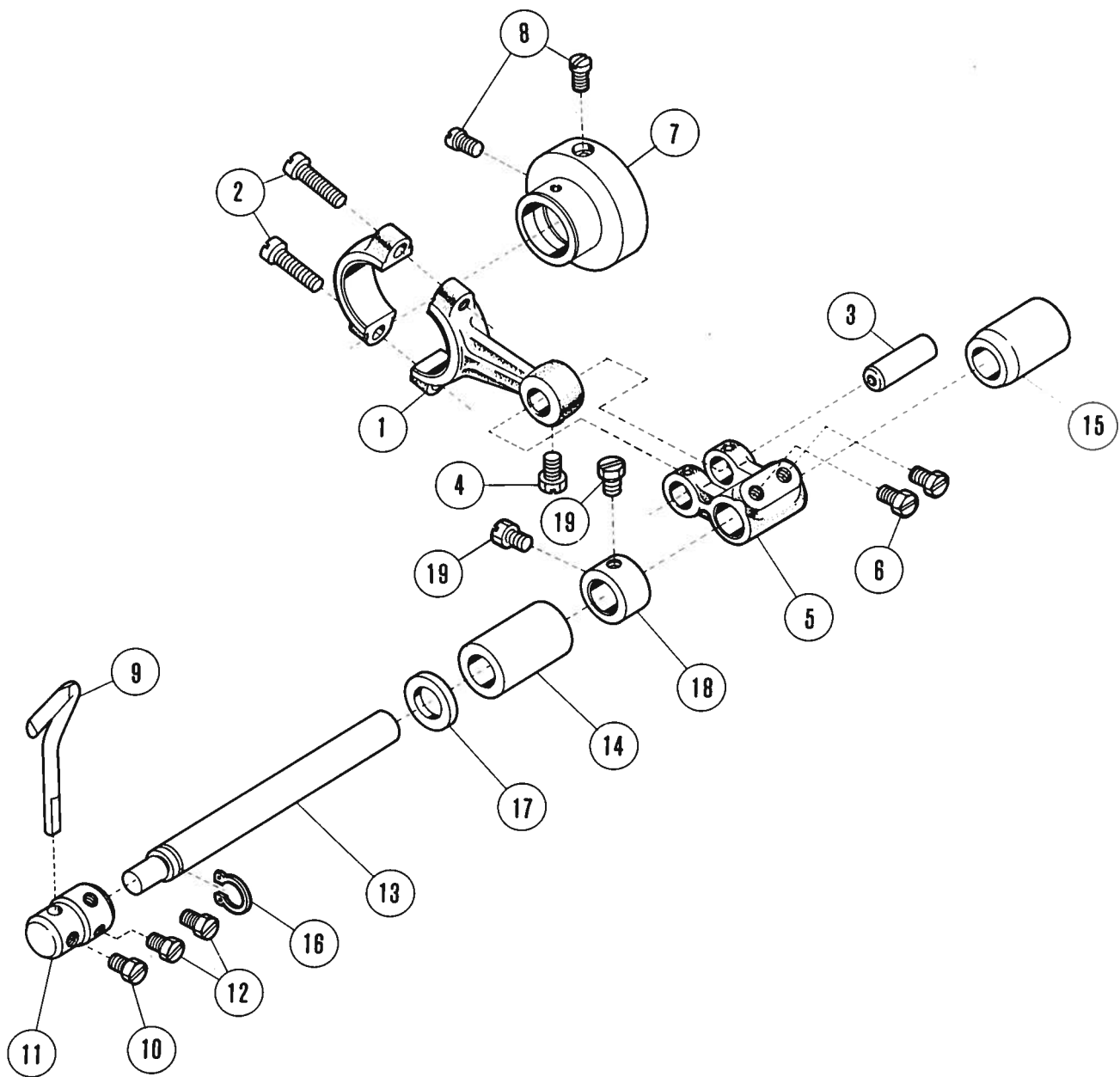


NEEDLE DRIVE MECHANISM

REF. NEW PRODUCT

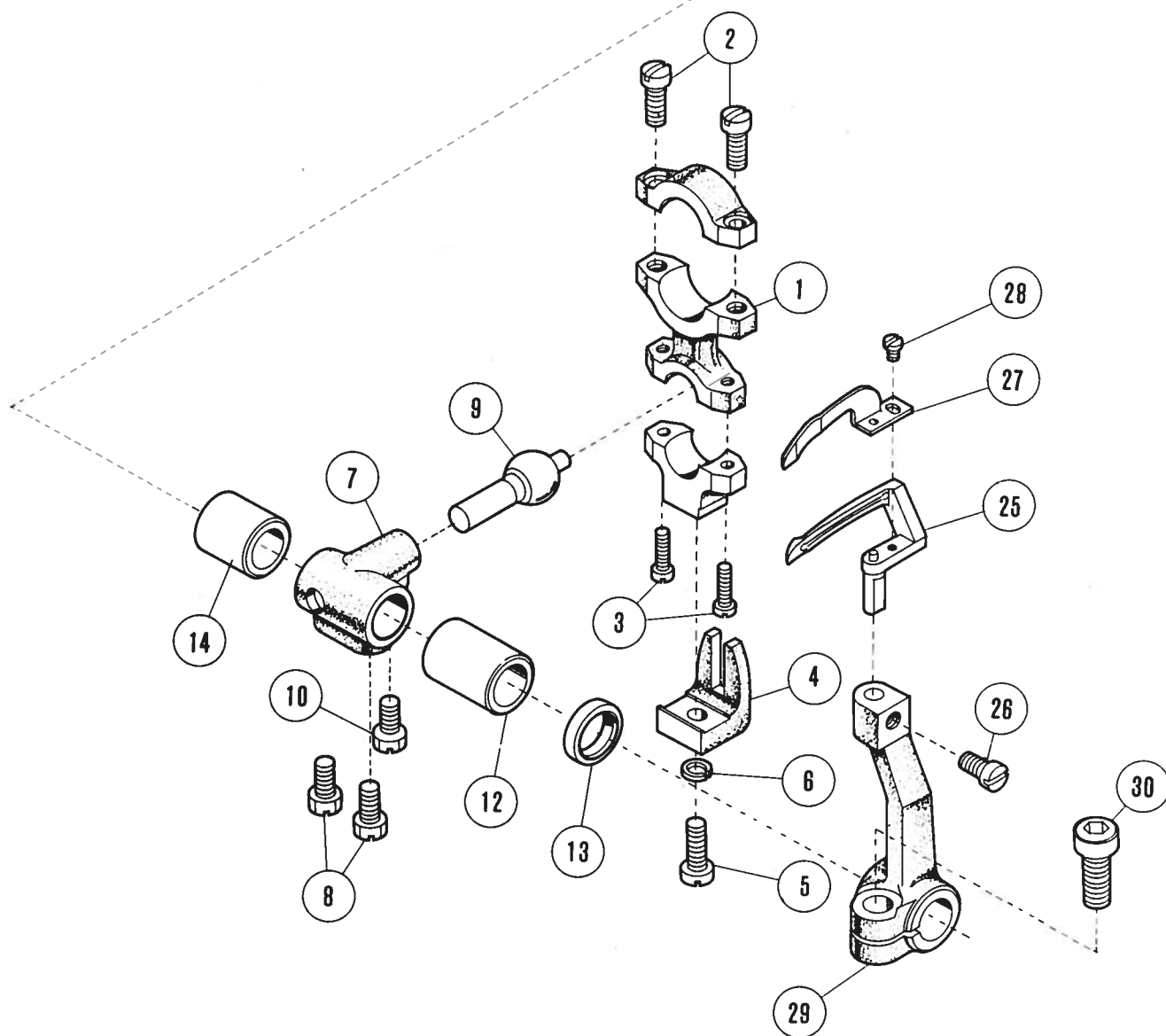
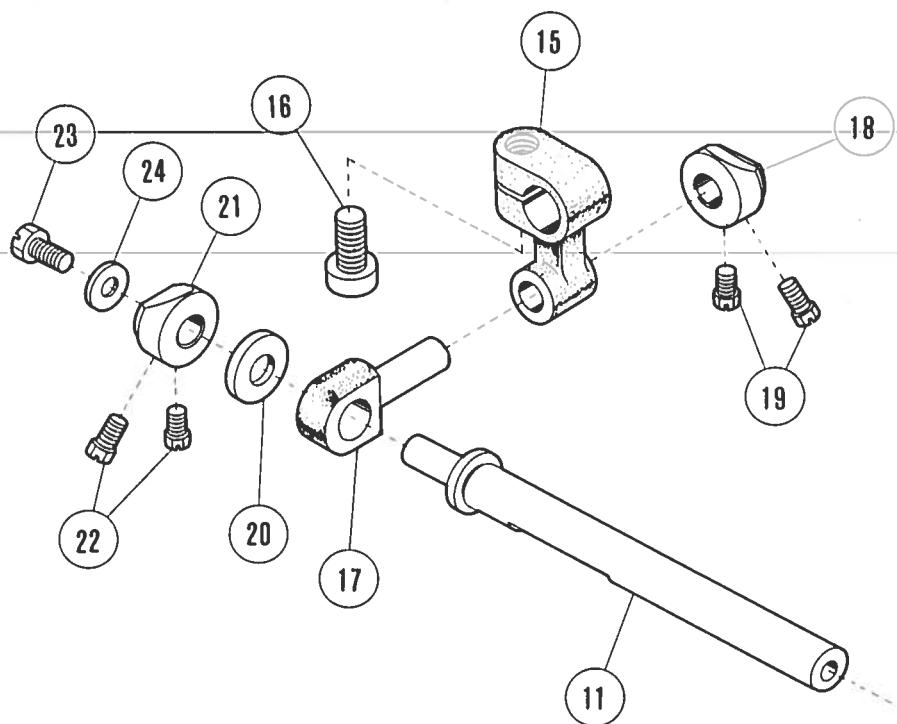
<u>NO.</u>	<u>CODE NO.</u>	<u>OLD NO.</u>	<u>DESCRIPTION</u>
1	325-730-001	206052	Needle bar drive link
2	325-620-004	206053	" " " " pin
3	325-600-010	5186	" " " " clamp screw (2)
4	325-672-003	206054	" " " " needle bearing
5	325-615-003	206055	" " " " thrust washer
6	325-591-001	206056	" bar
7	325-860-001	206057	" " thread eyelet
8	323-600-289	5216B	" " " " screw
9	325-740-002	206058	" thread retainer bracket
10	323-600-341	5292	" " " " screw (2)
11	323-613-201	192070	" " retainer
12	323-640-203	200205	" " " spring
13	323-600-224	9070-2	" " " screw
*14			" clamp
15	325-862-001	201538	" " thread guide wire
16	325-600-011	5167	" " " " screw
17		UY128GAS	Needle (size available #67, #70 or #75) (3)
18	325-600-011	5167	" clamp screw (3)
19	325-676-003	206059	" bar bushing (upper)
20	323-653-005	202176	" " " " oil wick
21	323-600-037	1458	" " " " screw
22	325-676-004	206060	" " " (lower)
23	323-600-037	1458	" " " " screw
24	325-683-001	206061	" " clamp
25	323-600-110	5325	" " " screw
26	325-750-001	206062	" " guide block
27	323-600-216	2903	" " " " screw (2)
28	325-750-002	206063	" " clamp guide block
29	325-560-001	206064	" " oil shield
30	323-600-216	2903	" " " " screw
31	325-740-003	206065	" plate bracket (complete with 206067x2)
32	325-620-005	206067	" " " pin (2)
33	325-600-010	5186	" " " screw (2)
*34			" plate
35	325-600-001	5373	" " screw (2)

* See organization chart.



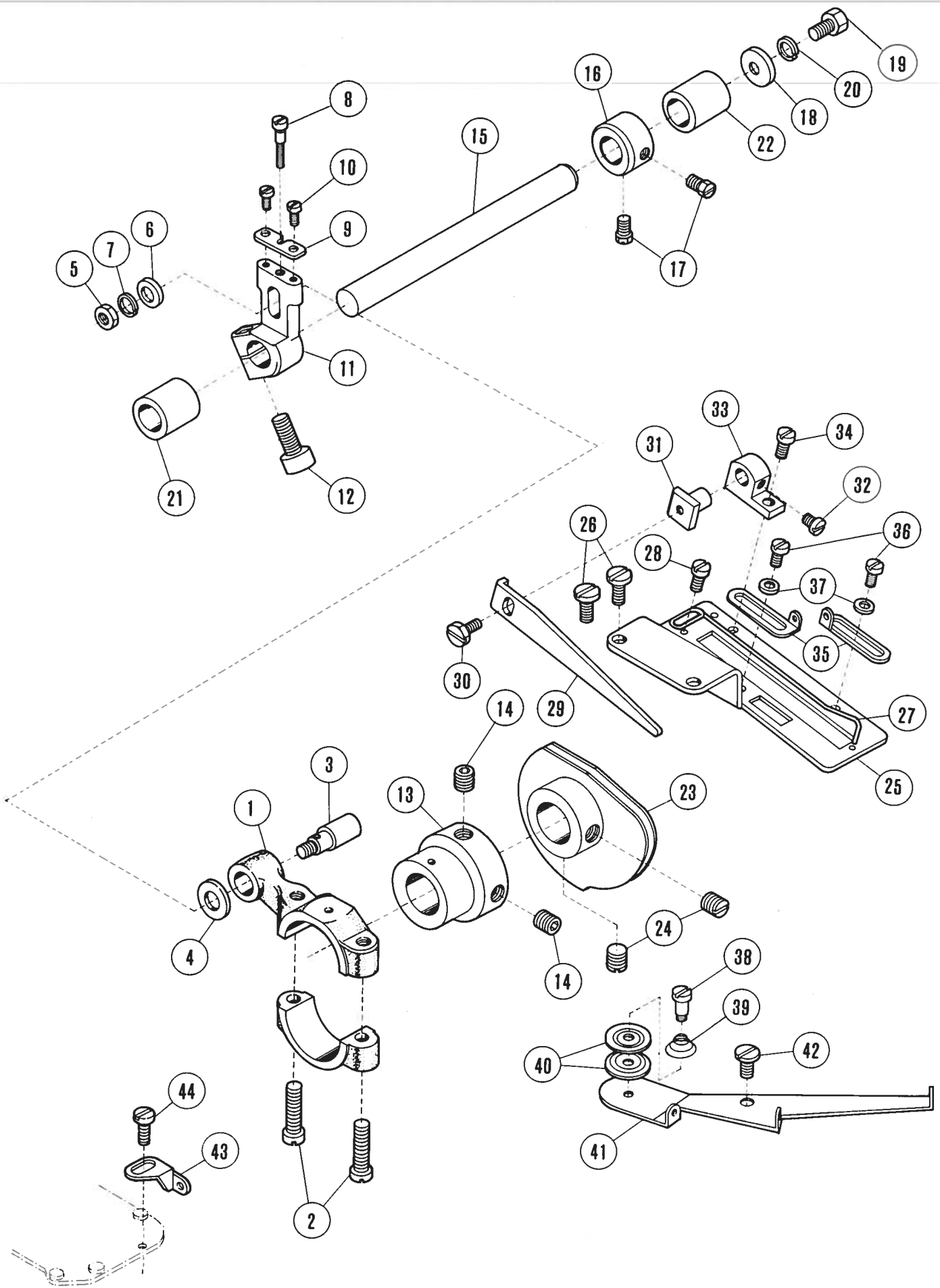
NEEDLE GUARD DRIVE MECHANISM

REF. NO.	NEW PRODUCT CODE NO.	OLD NO.	DESCRIPTION
1	325-525-001	206217	Needle guard drive connection
2	323-600-056	2213-1	" " " " cap screw (2)
3	323-620-232	202711	" " " " pin
4	323-600-013	5084	" " " " " screw
5	325-576-001	206218	" " " shaft crank
6	323-600-013	5084	" " " " " screw (2)
7	325-580-001	206219	" " " connection eccentric
8	323-600-067	2237	" " " " " screw (2)
9	325-561-001	206220	" guard
10	323-600-013	5084	" " screw
11	325-685-001	206221	" " holder
12	323-600-013	5084	" " " screw (2)
13	325-540-003	206222	" " drive shaft
14	323-676-023	201081A	" " " " bushing (left)
15	325-676-005	206223	" " " " " (right)
16	325-634-004	206224	" " " " retaining ring
17	325-615-003	206055	" " " " thrust washer
18	325-680-004	206225	" " " " " collar
19	323-600-013	5084	" " " " " screw (2)



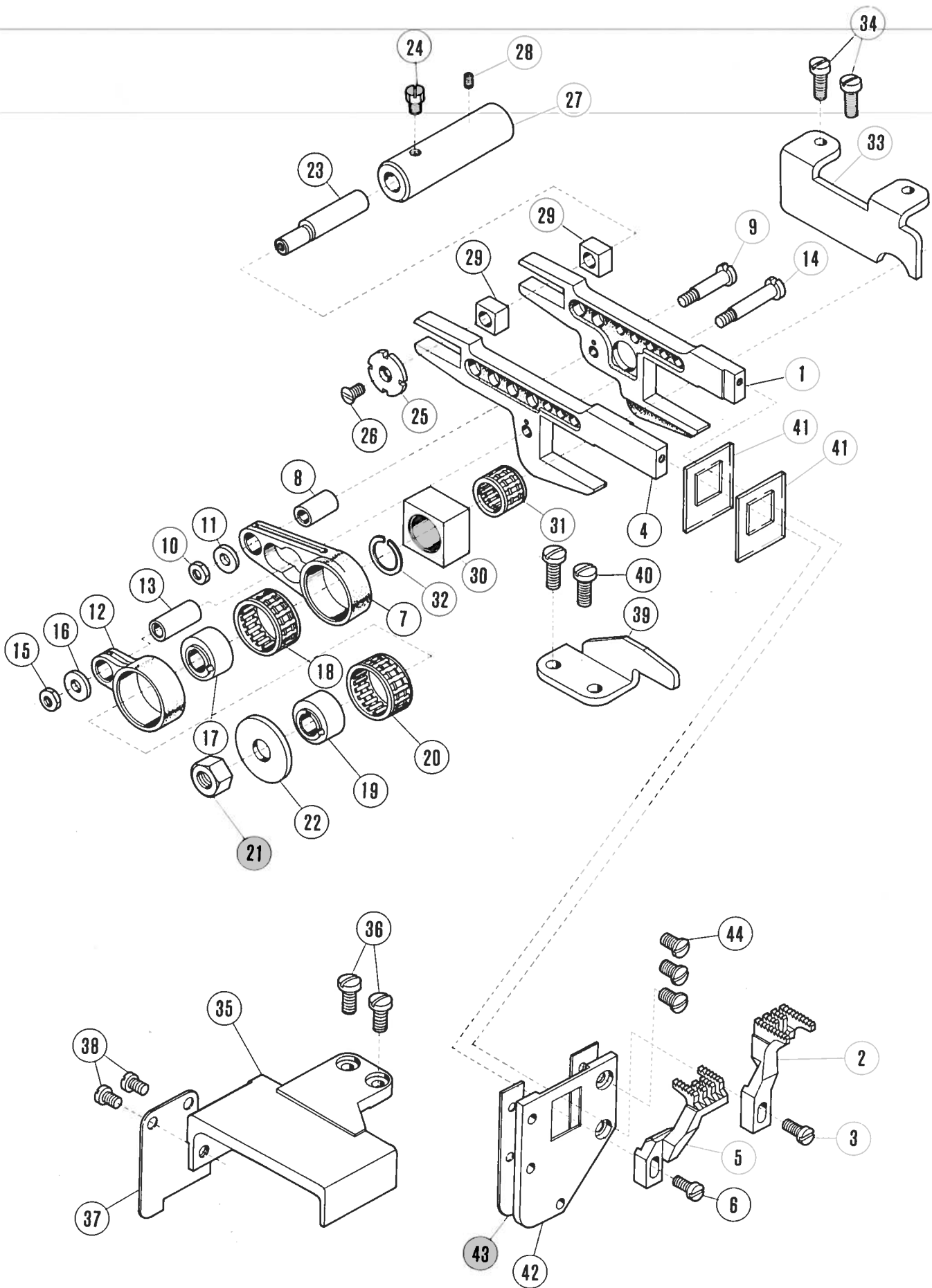
(1) LOOPER DRIVE MECHANISM

REF. NO.	NEW PRODUCT CODE NO.	OLD NO.	DESCRIPTION
1	325-525-002	206091	Looper drive connection
2	323-600-011	5002	" " " cap screw (large) (2)
3	323-600-020	1170-1	" " " " " (small) (2)
4	323-850-200	201074A	" " " guide
5	323-600-200	1156	" " " " screw
6	323-617-200	202286	" " " " " washer
7	325-576-002	206092	" " " crank
8	323-600-028	5048	" " " screw (2)
9	323-604-004	201075	" " " ball stud
10	323-600-028	5048	" " " " " screw
11	325-540-004	206093	" " " shaft
12	323-676-236	204081	" " " bushing (front)
13	323-626-201	204052A	" " " " " oil seal
14	325-676-006	206094	" " " " (rear)
15	325-576-003	206095	" avoiding crank (left)
16	323-600-801	5381	" " " " clamp screw
17	325-604-001	206096	" " " " stud
18	325-680-005	206394	" " " " " thrust collar
19	323-600-013	5084	" " " " " " screw (2)
20	323-618-206	204091	" " " " " washer
21	325-680-005	206394	" " " collar
22	323-600-013	5084	" " " screw (2)
23	323-600-271	2193	" " " stop screw
24	323-615-012	201185	" " " " " washer
25	325-810-001	206097	Looper
26	323-600-237	2213	" screw
27	325-560-002	206352	" guard
28	323-600-051	1231	" " screw
29	325-530-001	206098	" lever
30	323-600-801	5381	" " clamp screw



(2) LOOPER DRIVE MECHANISM

REF. NO.	NEW PRODUCT CODE NO.	OLD NO.	DESCRIPTION
1	325-525-003	206099	Looper avoiding connection
2	323-600-296	5233	" " " cap screw (2)
3	323-620-253	204519	" " " pin
4	323-615-233	204520	" " " washer
5	325-630-002	5104	" " " " " nut
6	323-615-027	202433	" " " " " washer
7	323-616-200	204293	" " " " " washer
8	323-600-358	5333	" " motion adjust screw
9	323-625-201	204518	" " " " " plate
10	323-600-229	2922	" " " " " screw (2)
11	323-576-225	204517	" " crank (right)
12	323-600-801	5381	" " " " clamp screw
13	325-580-002	206100	" " eccentric
14	323-600-127	5385	" " " screw (2)
15	325-540-005	206101	" " shaft
16	323-618-003	201056	" " " thrust collar
17	323-600-013	5084	" " " " screw (2)
18	323-618-212	204107	" " " washer
19	323-600-271	2193	" " " " screw
20	323-617-200	202286	" " " " washer
21	325-676-006	206094	" " " bushing (left)
22	325-676-007	206102	" " " " (right)
23	325-866-001	206103	" thread takeup
24	323-600-043	2022	" " " screw (2)
25	325-740-004	206107	" " guide bracket
26	323-600-057	5117	" " " " screw (2)
27	325-862-002	206108	" " " " wire
28	323-600-087	5141	" " " " screw
29	325-863-001	206109	" " retaining finger
30	323-600-044	5088	" " " " screw
31	325-756-001	206110	" " " " support
32	323-600-006	1234	" " " " screw
33	325-740-005	201605	" " " " bracket
34	323-600-029	1196	" " " " screw
35	325-860-002	206111	" " guide bracket eyelet (2)
36	323-600-246	1186	" " " " screw (2)
37	323-615-216	202875	" " " " washer (2)
38	323-600-220	1092	" " " tension stud
39	323-642-200	137109	" " " spring
40	323-613-200	137108	" " " disc (2)
41	325-850-001	206113	" " guide
42	323-600-057	5117	" " " screw
43	325-860-003	206114	" " eyelet
44	323-600-096	5345	" " " screw



MAIN AND DIFFERENTIAL FEED DRIVE MECHANISM

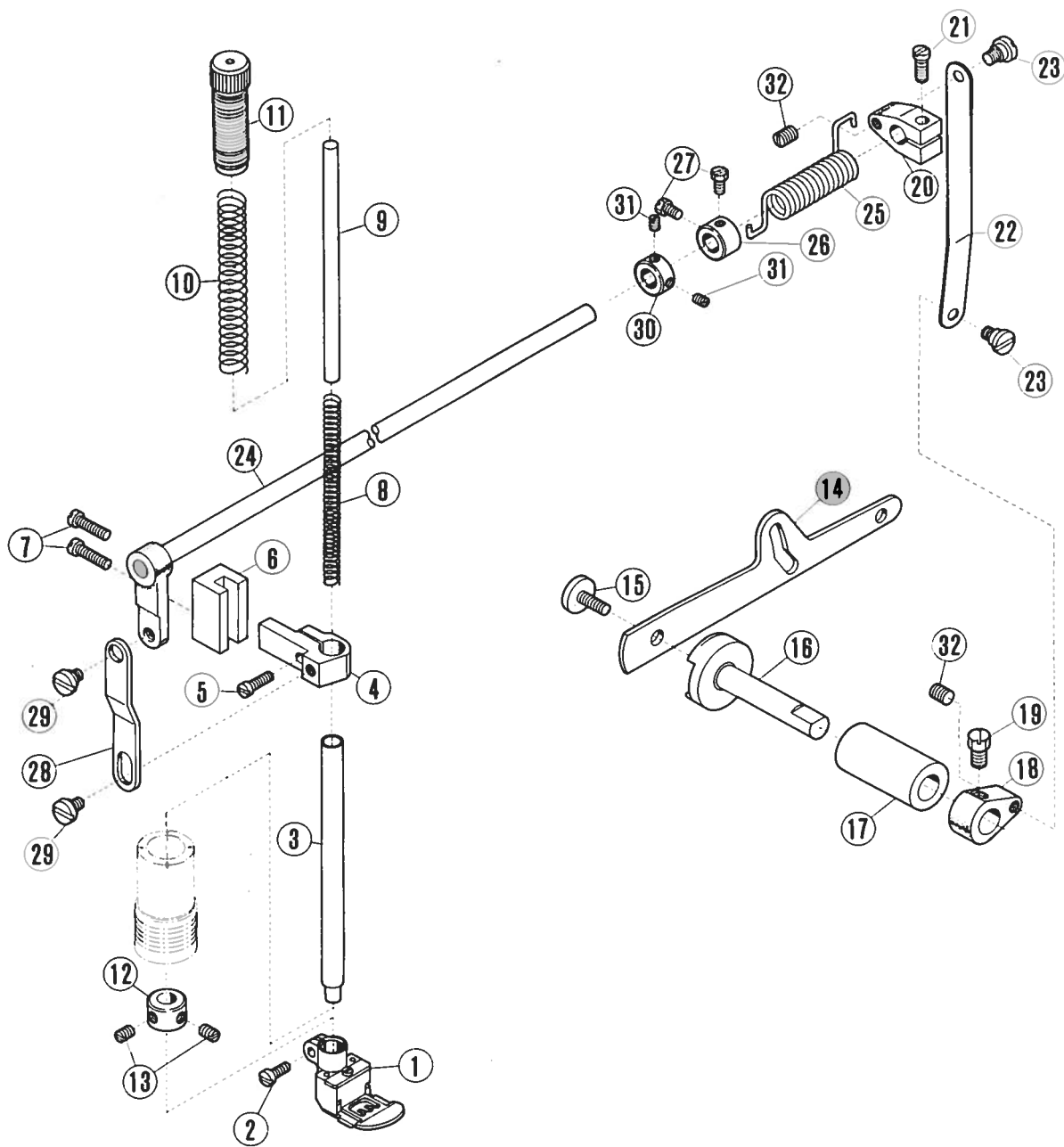
REF. NEW PRODUCT

NO.	CODE NO.	OLD NO.	DESCRIPTION
1	325-593-001	206116	Main feed bar
* 2			" " dog
3	323-600-002	1175-2	" " " screw
4	325-593-002	206117	Diff. feed bar
* 5			" " dog
6	323-600-002	1175-2	" " " screw
7	325-730-002	206118	Main feed connecting link
8	325-676-008	206119	" " " " pin-bushing
9	325-600-012	206120	" " " " " screw
10	323-630-001	3044	" " " " " nut
11	323-615-002	200098	" " " " " " washer
12	325-730-003	206121	Diff. feed connecting link
13	325-676-009	206122	" " " " pin-bushing
14	325-600-013	206123	" " " " " screw
15	323-630-001	3044	" " " " " nut
16	323-615-002	200098	" " " " " " washer
17	325-580-012	206124-12	Main feed eccentric - #12
18	325-672-004	206125	" " " " needle bearing
19	325-580-010	206124-10	Diff. feed eccentric - #10
20	325-672-004	206125	" " " " needle bearing
21	323-630-016	5213	Feed eccentric nut
22	325-615-004	206126	" " " " washer
23	323-620-252	204128A	" bar pin
24	323-600-013	5084	" " " " screw
25	323-615-033	204439A	" " " " washer
26	323-600-355	5317	" " " " " screw
27	323-676-261	204129A	" " " " bushing
28	323-600-037	1458	" " " " " screw
29	323-750-002	201107	" " " " guide block (2)
30	325-750-003	206127	" " " " lift block
31	325-672-005	206128	" " " " " needle bearing
32	325-634-005	206129	" " " " " " stop ring
33	325-850-002	206130	" " " " " guide (right)
34	323-600-060	5118	" " " " " screw (2)
35	325-850-003	206131	" " " " " (left)
36	323-600-060	5118	" " " " " screw (2)
37	325-800-007	206372	" connecting link oil shield plate
38	323-600-074	2905	" " " " " " screw (2)
39	325-850-004	206132	" bar guide (lower)
40	323-600-060	5118	" " " " " screw (2)
41	325-560-003	206133	" " " " " oil shield (2)
42	325-800-008	206134	" " " " " plate
43	325-663-005	206135	" " " " " " gasket
44	323-600-257	5091	" " " " " " screw (3)

* See organization chart.

LIST OF FEED ECCENTRICS

NEW PRODUCT			NEW PRODUCT		
SIZE	CODE NO.	OLD NO.	SIZE	CODE NO.	OLD NO.
# 6	325-580-006	206124-6	#12	325-580-012	206124-12
# 7	325-580-007	206124-7	#13	325-580-013	206124-13
# 8	325-580-008	206124-8	#14	325-580-014	206124-14
# 9	325-580-009	206124-9	#16	325-580-016	206124-16
#10	325-580-010	206124-10	#18	325-580-018	206124-18
#11	325-580-011	206124-11	#20	325-580-020	206124-20

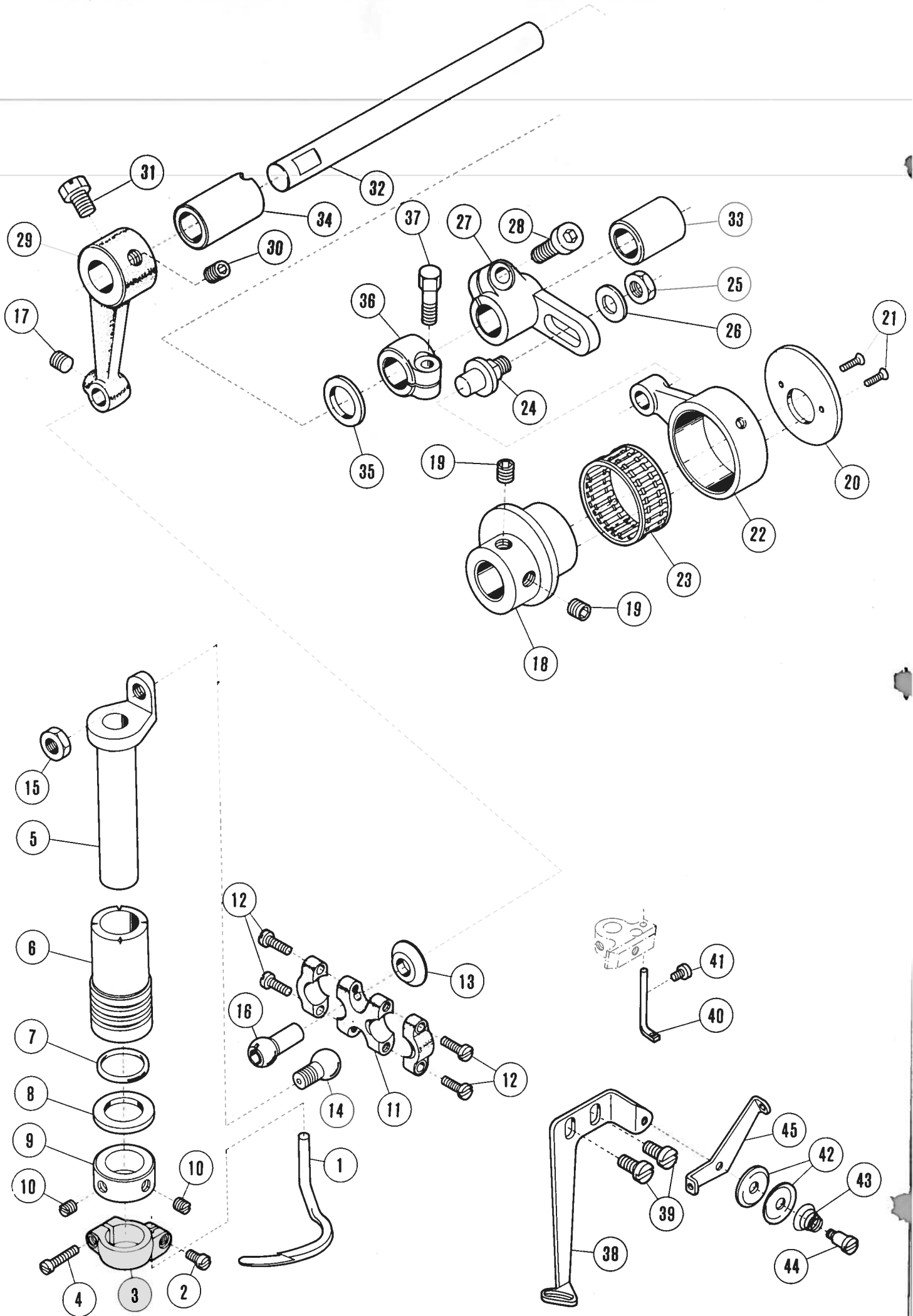


PRESSER FOOT AND LIFT MECHANISM

REF. NEW PRODUCT

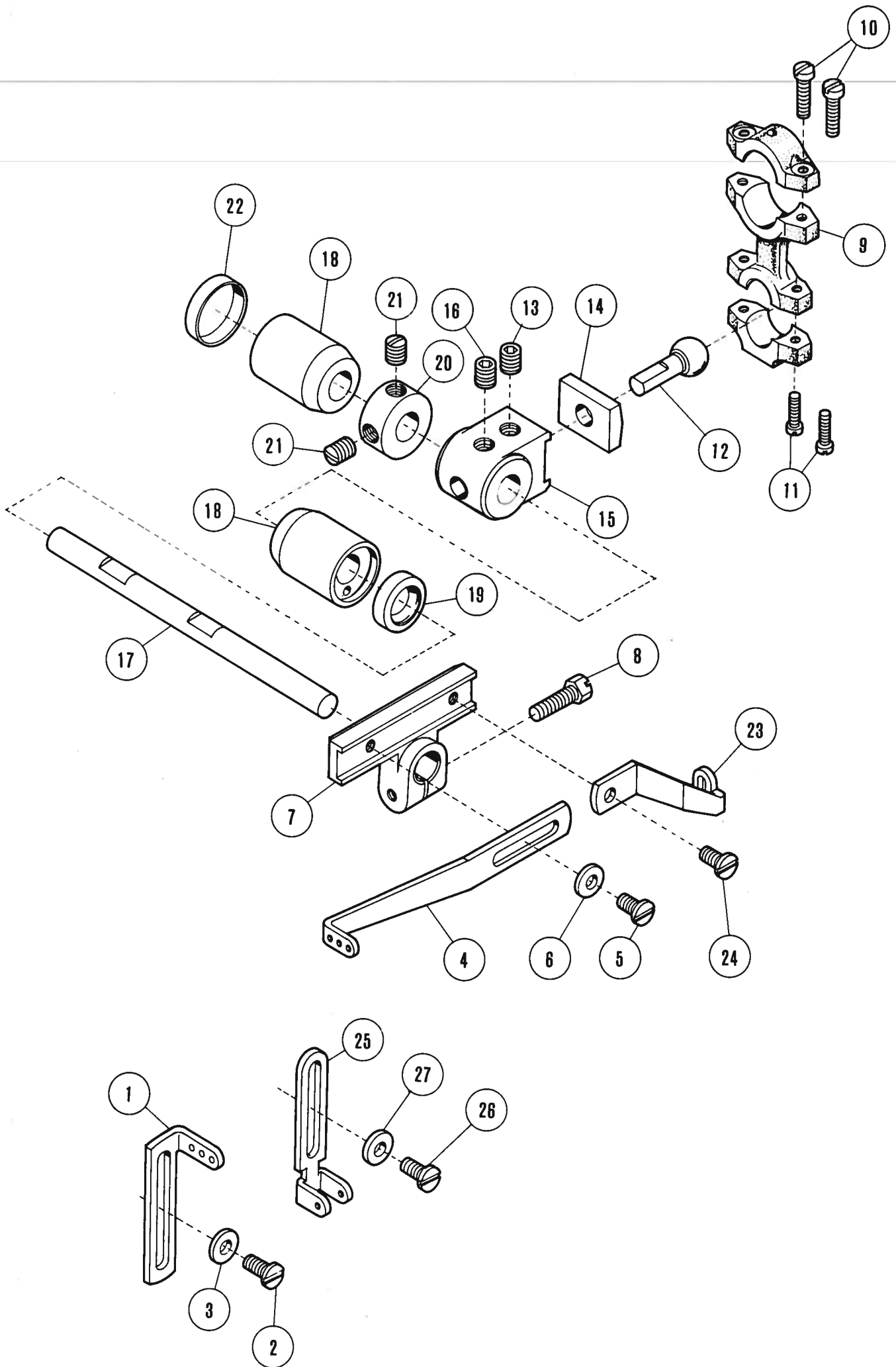
<u>NO.</u>	<u>CODE NO.</u>	<u>OLD NO.</u>	<u>DESCRIPTION</u>
* 1			Presser foot
2	323-600-046	1170-3	" " screw
3	325-590-001	206138	" bar
4	325-683-002	206139	" " clamp
5	323-600-060	5118	" " " screw
6	325-750-004	206140	" " " guide block
7	323-600-056	2213-1	" " " " screw (2)
8	325-640-003	206141	" " post spring
9	325-607-001	206142	" " post
10	325-640-004	206143	" " spring
11	325-600-014	206144	Pressure regulating thumb screw
12	323-618-002	201029	Foot lift adjust collar
13	323-600-012	1457	" " " " screw (2)
14	325-530-002	206145	" " lever
15	324-600-206	2948	" " " screw
16	325-840-001	206146	" " " shank
17	325-676-010	206147	" " " " bushing
18	325-576-004	206148	" " " " bell crank
19	323-600-022	2022-4	" " " " " screw
20	325-576-005	206149	" " shaft bell crank
21	323-600-095	5187	" " " " " clamp screw
22	325-730-004	206150	" " " " " link
23	323-600-079	5184	" " " " " screw (2)
24	325-540-006	206151	" " shaft
25	325-640-005	206155	" " " spring
26	325-680-006	206156	" " " " collar
27	323-600-013	5084	" " " " " screw (2)
28	325-730-005	206157	" " " link
29	325-600-015	5386	" " " " screw (2)
30	323-680-009	201665	" " " thrust collar
31	323-600-012	1457	" " " " " screw (2)
32	323-600-037	1458	" " " bell crank plug screw (2)

* See organization chart.



SPREADER DRIVE MECHANISM

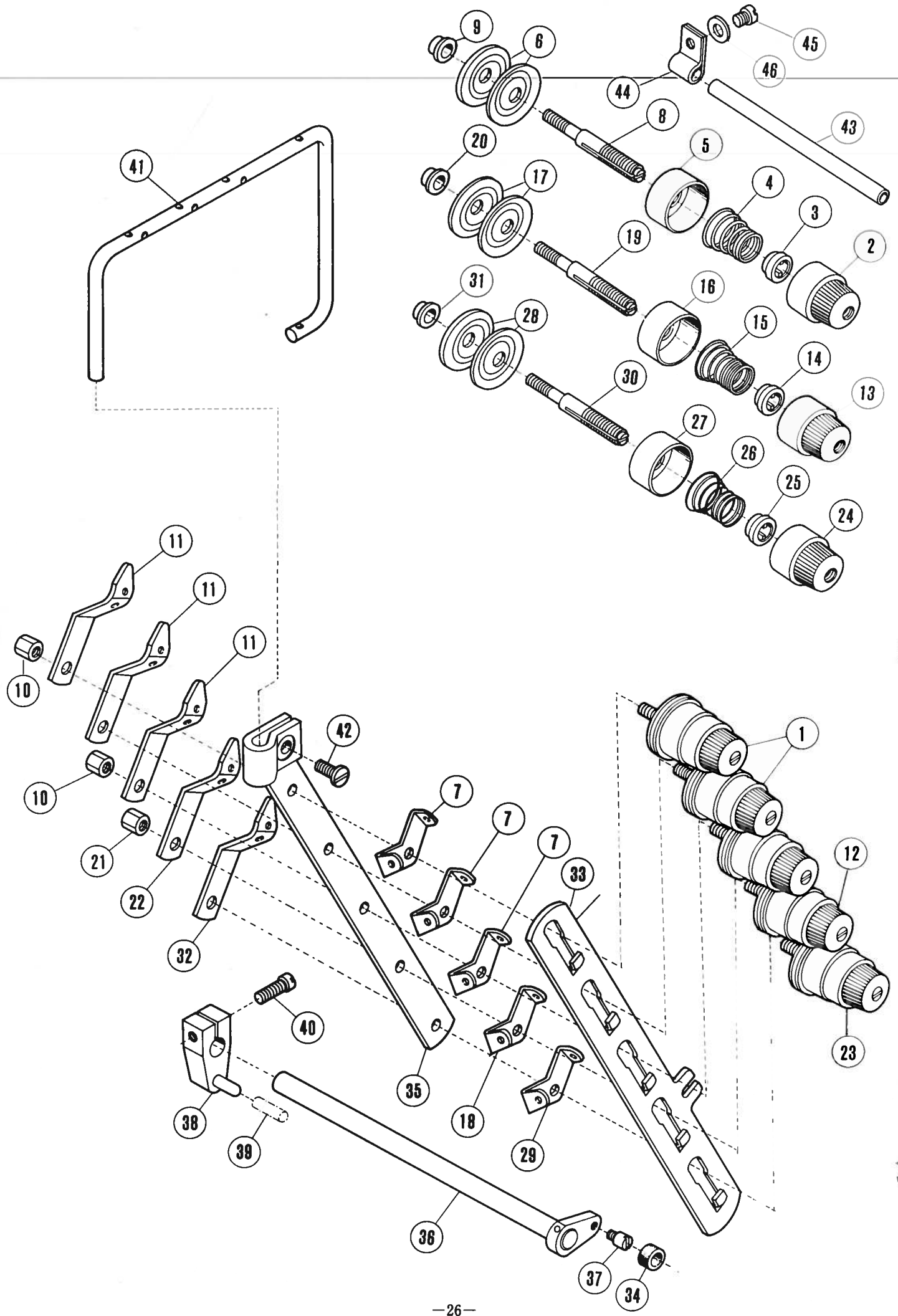
REF. NO.	NEW PRODUCT CODE NO.	OLD NO.	DESCRIPTION
1	325-817-001	206158	Spreader
2	323-600-024	1998-2	" clamp screw
3	325-685-002	206159	" holder
4	323-600-226	1170	" " clamp screw
5	325-841-001	206160	" " carrier
6	325-676-011	206161	" " " bushing
7	325-632-002	206162	" " " " 'o' ring
8	325-618-001	206163	" " " thrust washer
9	325-680-007	206164	" " " " collar
10	323-600-012	1457	" " " " " screw (2)
11	325-525-004	206165	" drive connection
12	323-600-027	1174	" " " cap screw (4)
13	325-625-001	206166	" " " rock stop
14	325-608-001	206167	" " " ball stud (front)
15	323-630-215	5020	" " " " " " nut
16	325-608-002	206168	" " " " " (rear)
17	323-600-351	5312	" " " " " " screw
18	325-580-015	206169	" " eccentric
19	323-600-351	5312	" " " screw (2)
20	325-680-008	206170	" " " collar
21	323-600-305	5224	" " " " " screw (2)
22	325-730-006	206171	" " link
23	325-672-006	206172	" " " needle bearing
24	325-620-006	206173	" " " pin
25	323-630-004	3018	" " " " nut
26	323-615-233	204520	" " " " " washer
27	325-576-006	206174	" " crank
28	323-600-801	5381	" " " clamp screw
29	325-502-001	206175	" " arm
30	325-600-016	5382	" " " screw
31	325-600-017	5318	" " " " (with hex. head)
32	325-540-007	206176	" " shaft
33	325-676-012	206177	" " " bushing (right)
34	325-676-013	206178	" " " " (left)
35	325-618-002	206180	" " " thrust washer
36	325-680-009	206181	" " " " collar
37	323-600-263	5274	" " " " " clamp screw
38	325-851-002	206182	" thread guide
39	323-600-014	4009-1	" " " screw (2)
40	325-660-001	201804	" " " wire
41	323-600-202	5030	" " " " screw
42	323-613-200	137108	" " tension disc (2)
43	323-642-200	137109	" " " spring
44	323-600-040	5387	" " " stud
45	325-740-006	206183	" " " bracket



NEEDLE AND SPREADER THREAD TAKEUP DRIVE MECHANISM

REF. NO.	NEW PRODUCT CODE NO.	OLD NO.	DESCRIPTION
1	325-851-003	206184	Needle thread guide
2	323-600-014	4009-1	" " " screw
3	323-615-002	200098	" " " " washer
4	325-866-002	206185	" " takeup
5	323-600-014	4009-1	" " " screw
6	323-615-002	200098	" " " " washer
7	325-700-001	206186	Thread takeup rocker
8	323-600-088	5276	" " " clamp screw
9	325-525-005	206187	" " drive connection
10	323-600-011	5002	" " " " cap screw (large) (2)
11	323-600-020	1170-1	" " " " " (small) (2)
12	325-608-003	206188	" " " " ball stud
13	323-600-127	5385	" " " " " " screw
14	325-850-005	206189	" " " " guide
15	325-576-007	206190	" " " shaft crank
16	323-600-127	5385	" " " " " screw
17	325-540-008	206191	" " " shaft
18	325-676-014	206192	" " " " bushing (2)
19	325-626-001	206193	" " " " " oil seal
20	323-618-002	201029	" " " " thrust collar
21	323-600-037	1458	" " " " " " screw (2)
22	325-680-010	206195	" " " " bushing collar
23	325-866-003	206198	Spreader thread takeup
24	323-600-014	4009-1	" " " screw
25	325-851-004	206199	" " guide
26	323-600-014	4009-1	" " " screw
27	323-615-002	200098	" " " " washer

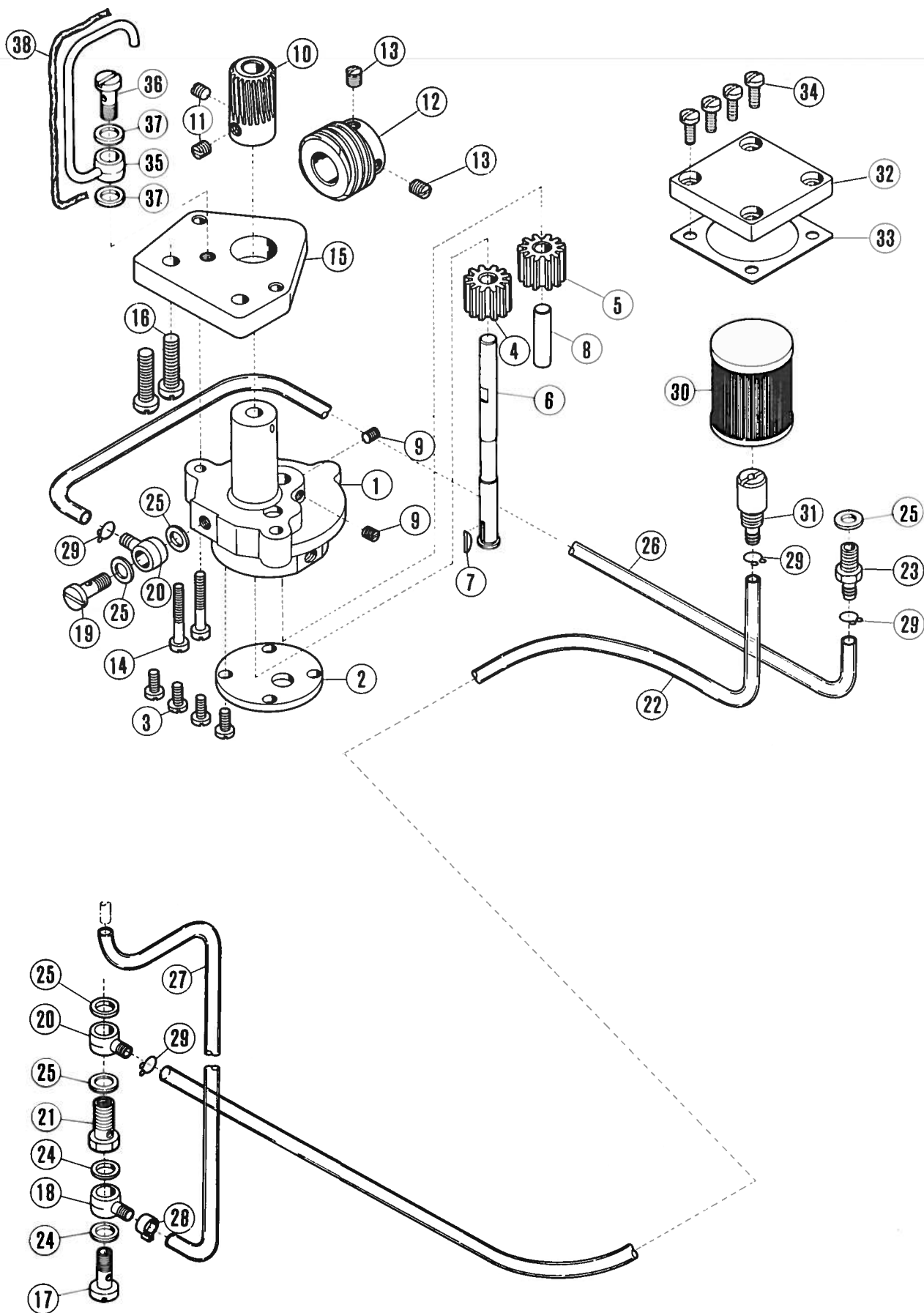
for model 63 only



THREAD TENSION MECHANISM

REF. NEW PRODUCT

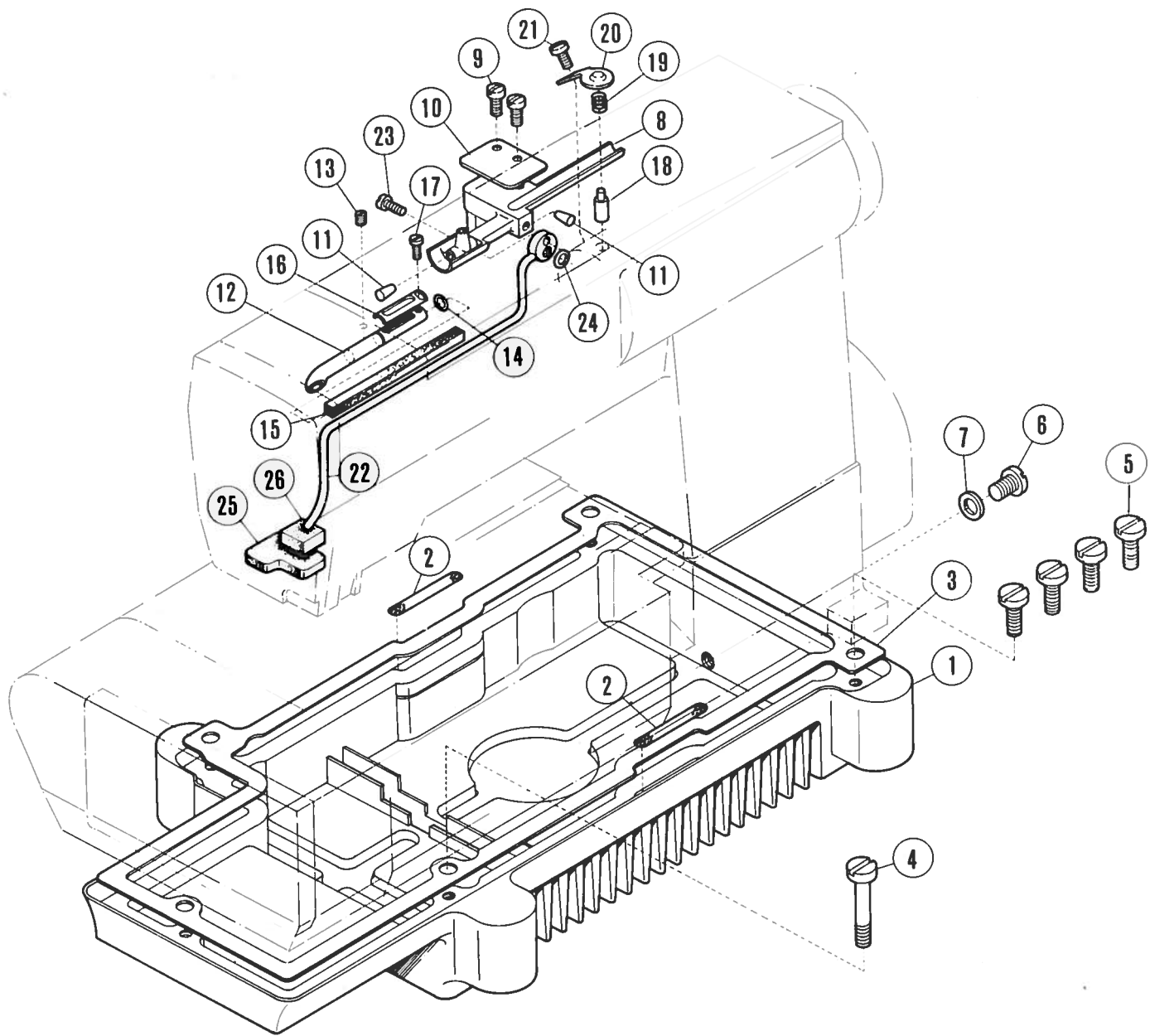
NO.	CODE NO.	OLD NO.	DESCRIPTION
1	325-900-001	206200	Needle thread tension, complete with 201035A, 202278, 201037, 201039, 101111x2 & 5283x3
2	323-630-200	201035A	" " tension nut (3)
3	323-676-202	202278	" " " spring bushing (3)
4	323-642-001	201037	" " " " (heavy) (3)
5	323-780-002	201039	" " " " cup (3)
6	323-613-202	101111	" " " disc (6)
7	325-851-005	206201	" " " guide (3)
8	325-607-002	5383	" " " post (3)
9	325-680-011	206202	" " " " collar (3)
10	325-630-003	5111	" " " " nut (2)
11	325-851-006	206203	" " " lead-in guide (3)
12	325-900-002	206204	Spreader thread tension, complete with 201035A, 202278, 201063, 201039, 101111x2 & 5383
13	323-630-200	201035A	" " " tension nut
14	323-676-202	202278	" " " " spring bushing
15	323-642-002	201068	" " " " (middle)
16	323-780-002	201039	" " " " cup
17	323-613-202	101111	" " " disc (2)
18	325-851-005	206201	" " " guide
19	325-607-002	5383	" " " post
20	325-680-011	206202	" " " " collar
21	325-630-003	5111	" " " " nut
22	325-851-006	206203	" " " lead-in guide
23	325-900-003	206205	Looper thread tension, complete with 201035A, 202278, 201086, 201039, 101111x2 & 5383
24	323-630-200	201035A	" " " tension nut
25	323-676-202	202278	" " " " spring bushing
26	323-642-003	201086	" " " " (light)
27	323-780-002	201039	" " " " cup
28	323-613-202	101111	" " " disc (2)
29	325-851-005	206201	" " " guide
30	325-607-002	5383	" " " post
31	325-680-011	206202	" " " " collar
32	325-851-006	206203	" " " lead-in guide
33	325-850-006	206206	Tension disc separator
34	325-650-001	206367	" " " " cushion
35	325-756-002	206207	" " " post support
36	325-540-009	206208	" " " release shaft
37	325-600-016	5382	" " " bell crank (front) pin-screw
38	325-576-008	206213	" " " " " (rear), complete with 206215
39			" " " " " (rear) pin-not for sale
40	323-600-095	5187	" " " " " " clamp screw
41	325-590-002	206216	Thread guide bar
42	323-600-057	5117	" " " " clamp screw
43	325-639-200	192120	Looper thread tube
44	325-683-003	206115	" " " " clamp
45	323-600-074	2905	" " " " " screw
46	323-615-012	201185	" " " " " " washer



(1) PUMP LUBRICATING MECHANISM

REF. NEW PRODUCT

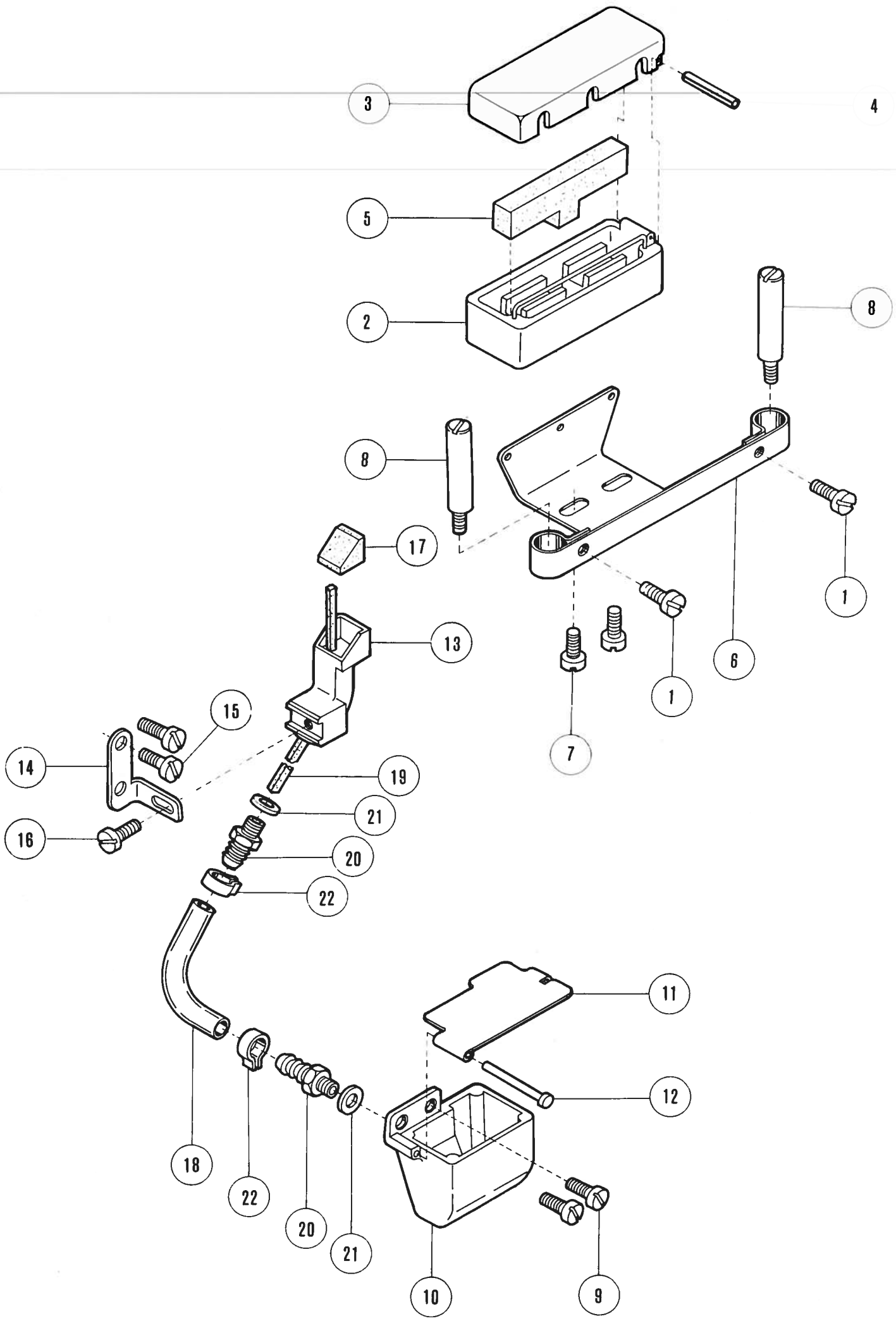
NO.	CODE NO.	OLD NO.	DESCRIPTION
	325-900-004	206226	Gear pump, complete with parts of Ref.Nos.1-11
1	325-900-011	206227	Casing
2	323-800-006	201293A	" plate
3	323-600-057	5117	" " screw (4)
4	323-764-001	201294	Pump gear (right)
5	323-764-002	201295	" " (left)
6	323-540-237	204183	" " shaft (long)
7	323-649-001	201009	" " " " key
8	323-540-236	204184	" " " (short)
9	323-600-037	1458	" " " " screw (2)
10	325-570-001	206072	Worm wheel
11	323-600-004	5060	" " screw (2)
12	325-765-001	206229	Worm
13	323-600-043	2022	" screw (2)
14	323-600-072	5094	Casing screw (2)
15	325-740-007	206230	" bracket
16	325-600-018	5282	" " screw (2)
17	323-604-209	200152	Oil splash screw (short)
18	323-636-200	200136	" " joint (small)
19	325-600-019	206403	" " screw (long)
20	323-636-001	201300	" " joint (large) (2)
21	325-600-020	206398	" " screw, for crankshaft bushing (center)
22	325-639-001	206400	" tube, for crankshaft bushing (center)
23	325-636-001	206399	" tube joint
24	323-615-209	200138	" " " washer (small) (2)
25	323-615-008	201302	" " " " (large) (5)
26	323-639-004	201320	" tube, for oil cleaner
27	325-639-002	206232	" tube, for oil distributor
28	323-685-003	202199	" tube clamp
29	323-683-002	201303	" " clamp (4)
30	325-655-001	206233	" cleaner
31	325-604-002	206401	" " oil splash stud
32	325-800-009	206235	" " cover plate
33	325-663-006	206236	" " " " gasket
34	323-600-061	5152	" " " " screw (4)
35	325-639-003	206396	" pipe
36	323-600-064	201758	" " oil splash screw
37	323-615-010	201759	" " " " " washer (2)
38	325-653-002	206397	" " " wick



(2) PUMP LUBRICATING MECHANISM

REF. NEW PRODUCT

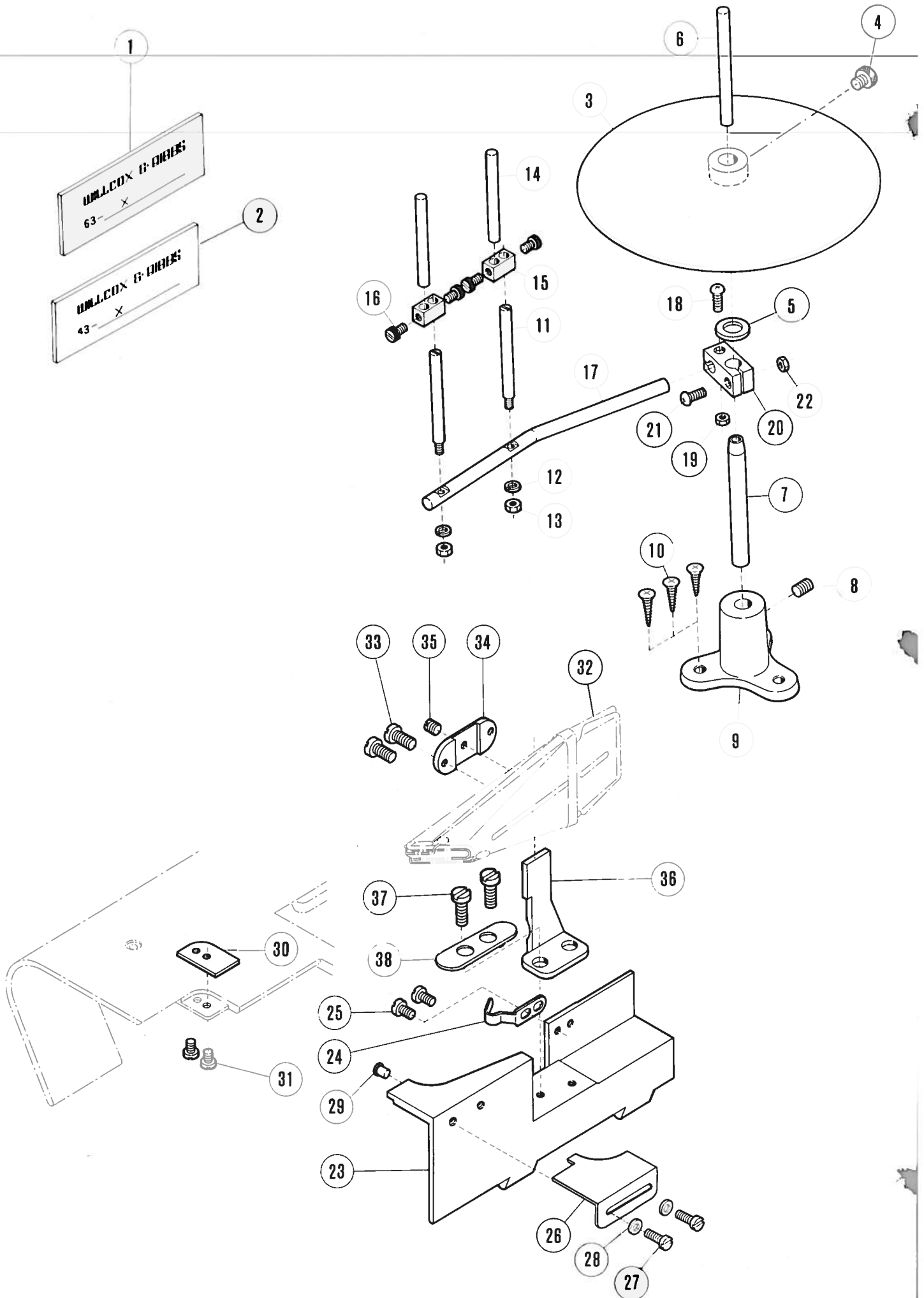
<u>NO.</u>	<u>CODE NO.</u>	<u>OLD NO.</u>	<u>DESCRIPTION</u>
1	325-713-001	206237	Oil pan
2	323-800-009	201487	" " screen (2)
3	325-663-007	206238	" " gasket
4	325-605-001	5391	" " bolt
5	325-600-021	5390	" " screw (4)
6	323-600-354	5138B	" drain plug screw
7	323-615-229	202287A	" " " " washer
8	325-652-001	206240	" distributor
9	323-600-259	2902	" " screw (2)
10	325-800-010	206393	" " oil splash guard plate
11	323-627-208	202903	" " plug (2)
12	325-639-004	206244	" tube (for lubricating needle bar drive link)
13	323-600-037	1458	" " screw
14	323-632-201	204185	" " 'o' ring
15	325-650-002	206247	" " felt
16	325-716-001	206248	" " oil regulator
17	323-600-021	1206	" " " " screw
18	325-794-001	206249	" drain piston
19	325-640-006	206250	" " " spring
20	325-685-003	206251	" " " " holder
21	323-600-057	5117	" " " " " screw
22	325-639-005	206343	" " tube (copper)
23	323-600-060	5118	" " " " screw
24	325-632-003	206366	" " " joint 'o' ring
25	325-650-003	206252	" " " felt
26	325-650-004	206253	" " " sponge



PARTS FOR NEEDLE AND-THREAD LUBRICATOR

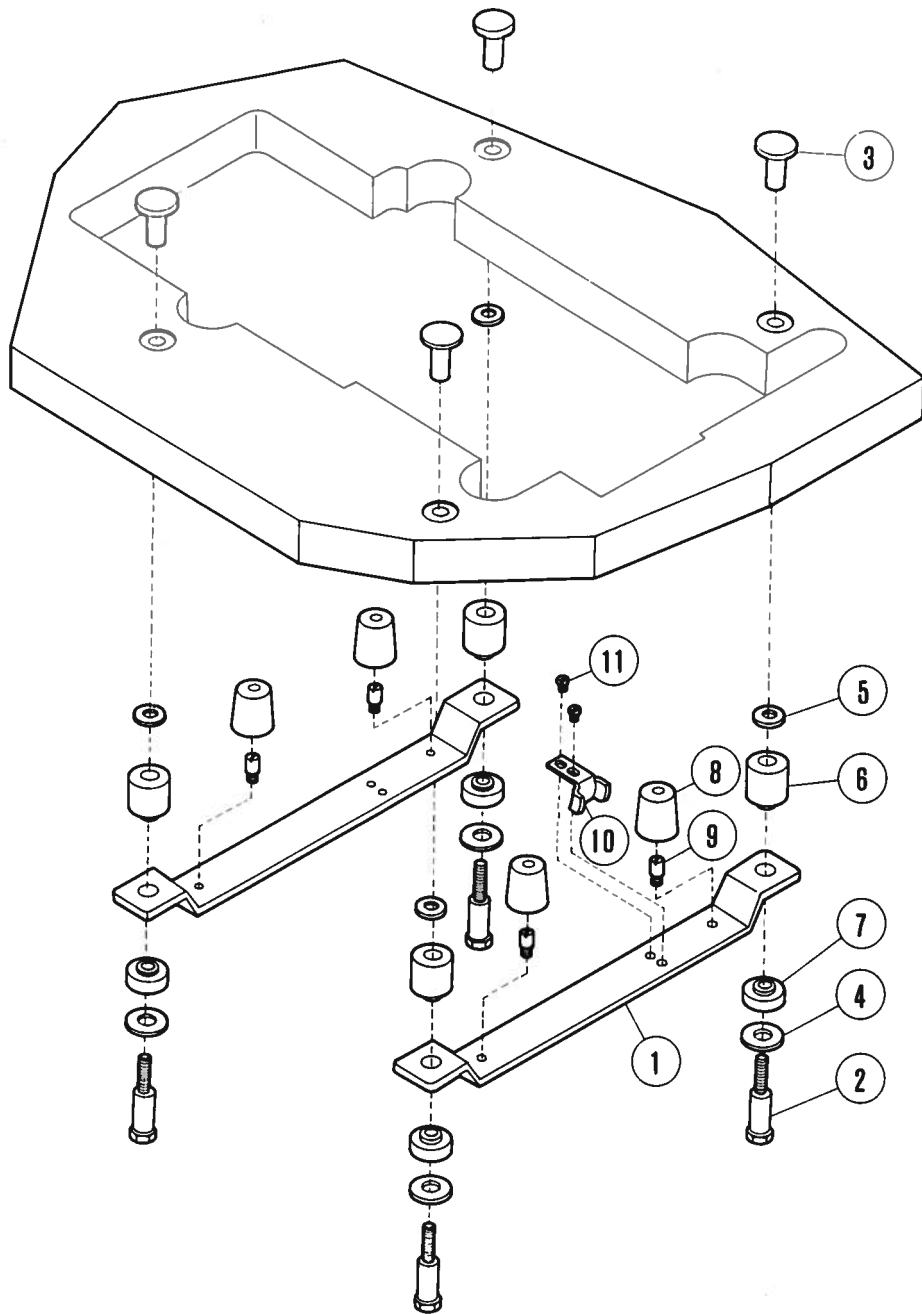
REF. NEW PRODUCT

<u>NO.</u>	<u>CODE NO.</u>	<u>OLD NO.</u>	<u>DESCRIPTION</u>
	325-900-005	206254	Silicone lubricant reservoir (upper), complete with 206255, 206256, 206257, 206258 & 206259
1	323-600-318	5261	" lubricant reservoir (upper) screw (2)
2	325-658-001	206255	" " " (upper)
3	325-780-001	206256	" " " " cap
4	325-620-008	206257	" " " " " hinge pin
		206258	" " " " wire-not for sale
		206259	" " " " wire-not for sale
5	325-650-005	206260	" " " " felt
6	325-685-004	206261	" " " " holder
7	323-600-074	2905	" " " " " screw (2)
8	325-604-003	206262	" " " " " stud (2)
	325-900-006	206263	" " " " (lower), complete with 206264, 206265 & 206266
9	323-600-257	5091	" " " " (lower) screw (2)
10	325-658-002	206264	" " " " (lower)
11	325-780-002	206265	" " " " " cap
12	325-620-009	206266	" " " " " hinge pin
13	325-900-007	206267	Needle and thread cooling assembly
14	325-740-008	206268	" " " " " bracket
15	323-600-060	5118	" " " " " screw (2)
16	323-600-057	5117	" " " " " screw
17	325-650-006	206353	" " " " " felt
18	325-639-006	206340	Silicone lubricant tube
19	323-653-006	204270	" " " " felt
20	323-736-200	204196	" " " " nipple (2)
21	323-615-209	200138	" " " " washer (2)
22	323-685-003	202199	" " " " clamp (2)



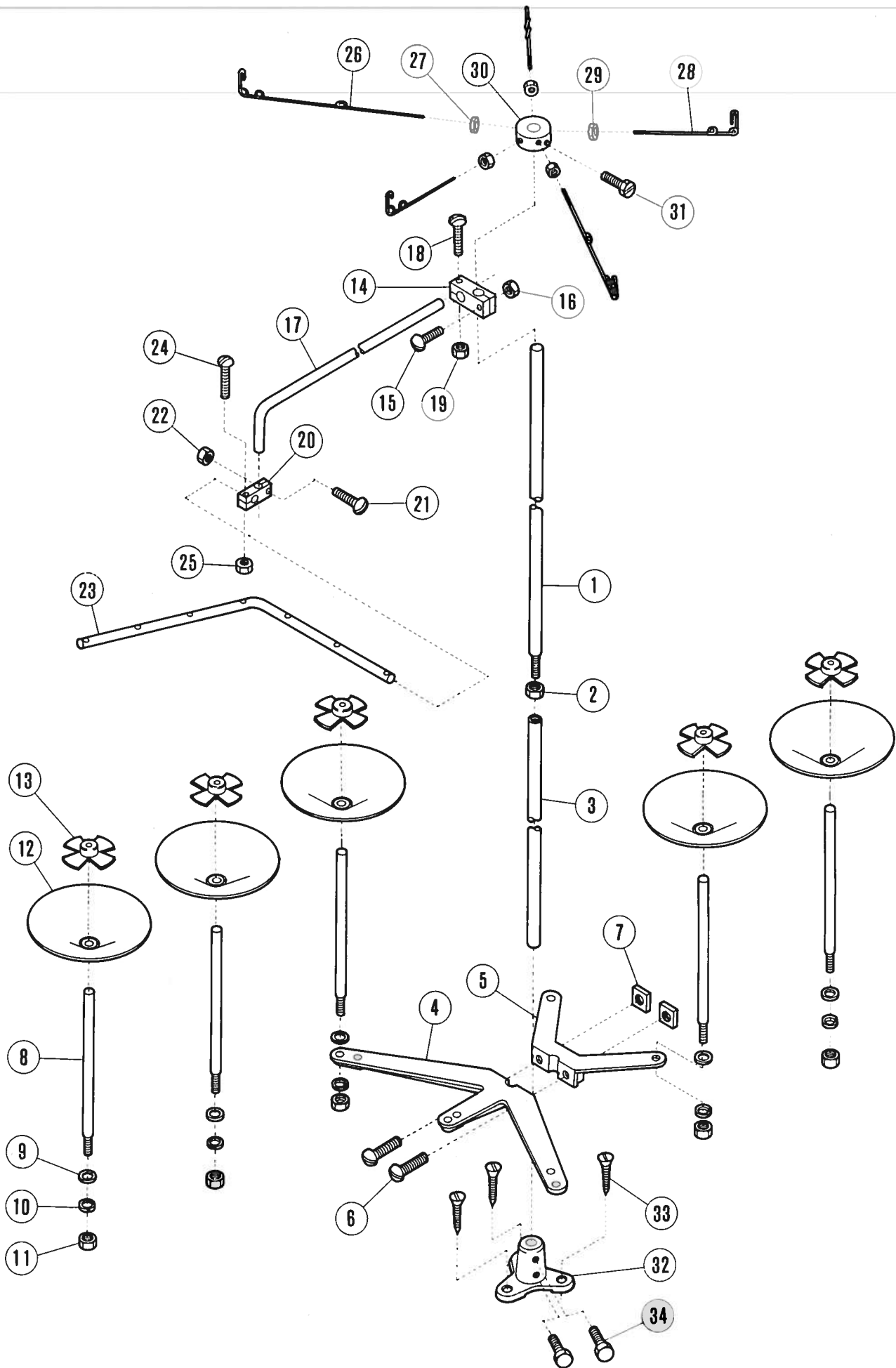
PARTS FOR MODELS 63-02 AND 43-02 ONLY

REF. NO.	NEW PRODUCT CODE NO.	OLD NO.	DESCRIPTION
1	325-692-002	206405	Type plate - model 63-02
2	325-692-003	206406	" plate - model 43-02
3	325-900-008	257	Tape reel, complete with parts of Ref.Nos.3-22
3	325-613-001	247	" disc
4	325-600-022	5161	" " screw
5	325-618-003	270	" " thrust washer
6	325-607-003	253	" " post (upper)
7	325-607-004	250	" " " (lower)
8	323-600-043	2022	" " " " screw
9	325-505-001	251	" " " base
10	323-600-122	241	" " " " screw (3)
11	325-607-005	252	" tension guide post (long) (2)
12	323-617-001	225	" " " " " washer (2)
13	323-630-019	226	" " " " " nut (2)
14	325-607-003	253	" " " " (short) (2)
15	325-685-005	254	" " " " holder (2)
16	325-600-022	5161	" " adjust screw (4)
17	325-590-003	255	" " guide post bar
18	323-600-120	230	" " " " " clamp screw
19	323-630-020	231	" " " " " " nut
20	325-685-006	256	" " " " " holder
21	323-600-120	230	" " " " " " clamp screw
22	323-630-020	231	" " " " " " " nut
23	325-510-009	206359	Front cover
24	325-734-003	206331	" " latch
25	323-600-039	5113	" " " screw (2)
26	325-800-011	206439	" " plate
27	323-600-318	5261	" " " screw (2)
28	323-615-213	202058	" " " washer (2)
29	325-627-002	192107-1	" " rubber plug
30	325-800-012	206332	Rear cover plate
31	323-600-074	2905	" " " screw (2)
32			Tape binder
33	323-600-039	5113	" " screw (2)
34	325-800-013	201913	" " clamp plate
35	325-600-200	11-1	" " " screw
36	325-740-009	201914	" " bracket
37	324-600-207	5116	" " " screw (2)
38	325-615-005	206460	" " " washer



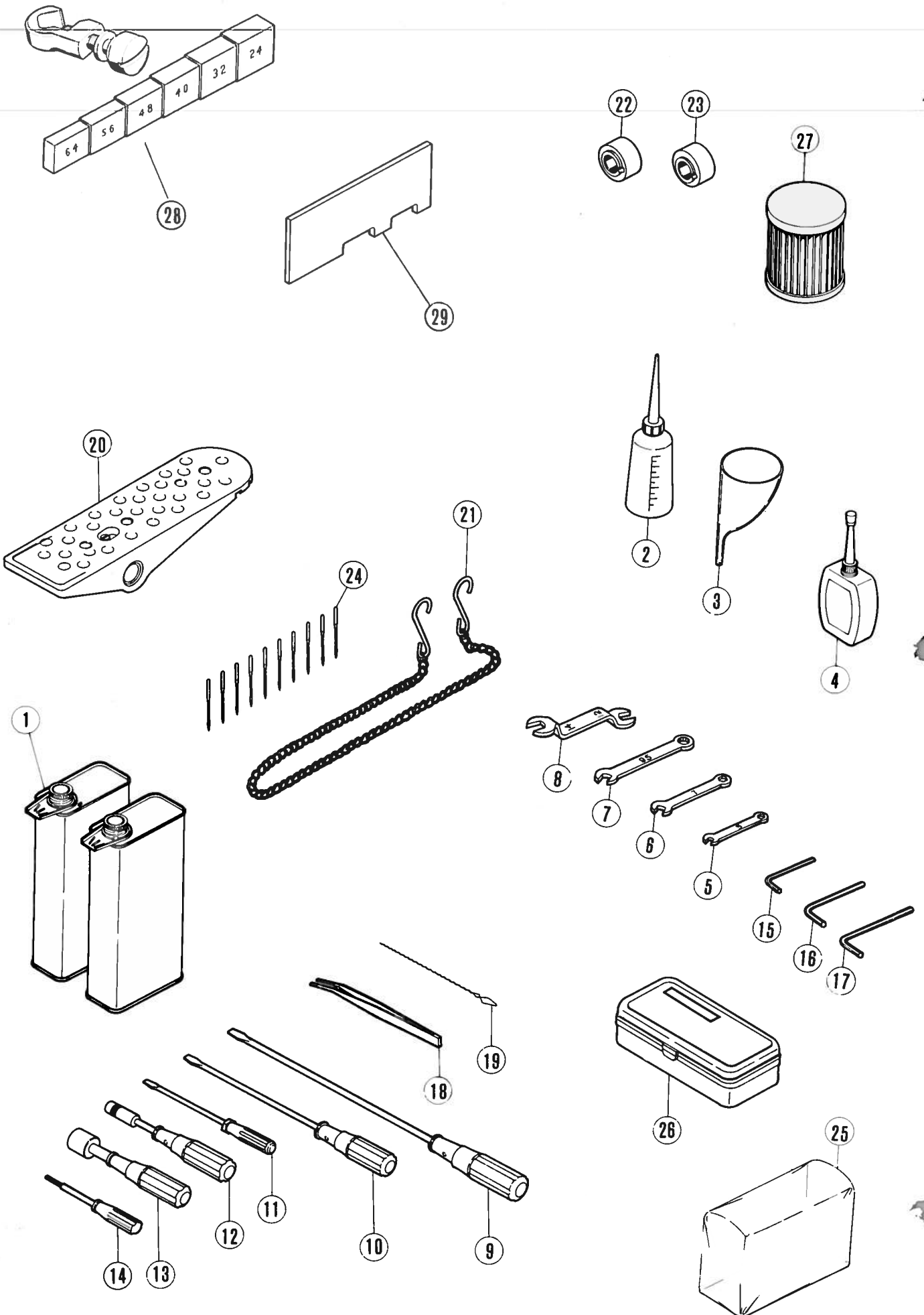
PARTS FOR SEMI-SUBMERGED INSTALLATION

REF. NO.	NEW PRODUCT CODE NO.	OLD NO.	DESCRIPTION
1	325-740-010 325-900-009	206339 206345	Machine mount bracket (2) " " " bolt, complete with 206335x4, 206336x4, 202700x4 & 206337x4
2	325-605-002	206335	" " " bolt (4)
3	325-630-004	206336	" " " " nut (4)
4	323-615-203	202700	" " " " washer (large) (4)
5	325-615-006 325-900-010	206337 205350	" " " " " (small) (4) " cushion rubber, complete with 202693Ax4 & 202765x4
6	323-945-208	202693A	" " " " cushion rubber (lower) (4)
7	323-627-204	202765	" " " " " (upper) (4)
8	325-945-001	206338	" cushion rubber (4)
9	323-600-314	5232	" " " guide pin (4)
10	325-850-007	206329	Treadle chain guide
11	323-600-014	4009-1	" " " screw (2)



THREAD STAND

REF. NO.	NEW PRODUCT CODE NO.	OLD NO.	DESCRIPTION	Nos. required for spools of	
				5	6
	323-940-207	214	Thread stand, complete - 5 spools	1	-
	323-940-208	210	" stand, complete - 6 spools	-	1
1	323-535-001	216	" stand upper rod	1	1
2	323-600-118	217	" " " " screw	1	1
3	323-535-002	218	" " lower rod	1	1
4	323-740-035	219	Spool pin bracket (large)	1	2
5	323-740-036	220	" " " (small)	1	-
6	323-600-119	221	" " " clamp screw	2	2
7	323-630-018	222	" " " " " nut	2	2
8	323-620-024	223	" pin	5	6
9	323-615-028	224	" " washer	5	6
10	323-617-001	225	" " nut spring washer	5	6
11	323-630-019	226	" " nut	5	6
12	323-685-013	227	" tray	5	6
13	323-850-031	228	" retaining fin	5	6
14	323-740-034	229	Thread guide bar rod bracket	1	1
15	323-600-120	230	" " " " " clamp screw	1	1
16	323-630-020	231	" " " " " " nut	1	1
17	323-535-003	232	" " " rod	1	1
18	323-600-120	230	" " " " screw	1	1
19	323-630-020	231	" " " " " nut	1	1
20	323-750-006	233	" " rod retaining block	1	1
21	323-600-120	230	" " " " " clamp screw	1	1
22	323-630-020	231	" " " " " " nut	1	1
23	323-590-003	234	" " bar	1	1
24	323-600-120	230	" " " clamp screw	1	1
25	323-630-020	231	" " " " " nut	1	1
26	323-851-020	235	" " wire (long)	2	4
27	323-630-021	236	" " " " nut	2	4
28	323-851-021	237	" " " (short)	3	2
29	323-630-021	236	" " " lock nut	3	2
30	323-685-018	262	" " " holder - 5 spools	1	-
	323-685-014	238	" " " holder - 6 spools	-	1
31	323-600-121	239	" " " " screw	1	1
32	323-505-009	240	" stand base	1	1
33	323-600-123	242	" " " wood screw	3	3
34	323-600-122	241	" " " rod screw	2	2



ACCESSORIES

REF. NO.	NEW PRODUCT CODE NO.	OLD NO.	DESCRIPTION
1	323-945-008	133-1	Oil container (500cc) (2)
2	323-659-200	132	Oiler
3	323-945-003	135A	Oil funnel
4	323-945-007	178	Silicone lubricant container (50cc)
5	323-880-010	282	Wrench (5mm)
6	323-880-012	284	" (7mm)
7	323-880-014	286	" (9.5mm)
8	323-880-007	130A	" (12mm. 14mm)
9	323-885-001	127	Screwdriver (large)
10	323-885-002	128	" (medium)
11	323-885-003	129	" (small)
12	323-880-212	152	Socket wrench (7mm)
13	323-880-008	258	" " (20mm)
14	323-945-001	154	Feed eccentric extractor
15	323-880-214	182	Allen key (3.175mm. 1/8")
16	323-880-015	246	" " (3.967mm. 5/32")
17	323-880-005	200	" " (4.763mm. 3/16")
18	323-886-001	131	Tweezers
19	323-660-200	153	Threading wire
20	323-533-005	245	Treadle
21	323-732-004	125	" chain
22	325-580-008	206124-8	Feed eccentric #8
23	325-580-014	206124-14	" " #14
24		UY128GAS	Needle (10)
25	325-945-002	900	Machine dust cover
26	323-945-206	123	Accessories can
27	325-655-001	206233	Oil cleaner

- Auxiliary items available on order -

28	323-882-005	268	Timing gauge set (Timing gauge and clamp packed in a plastic bag)
29	323-882-007	287	Thick gauge

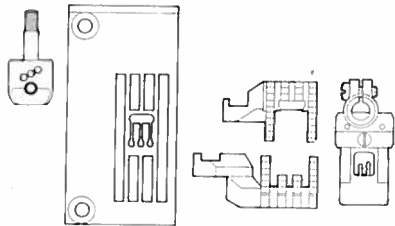
Note: All product code numbers begin with prefix 325-

Machine model	Needle gauge	Needle clamp	Needle plate	Presser foot complete	Main feed dog	Diff. feed dog	
63-01x224	3/32" 2.4mm	201849 683-004	206269 801-001	206286 820-001	206278 830-001	206282 830-003	
63-01x232	1/8" 3.2mm	201785A 683-007	206270 801-002	206288 820-003	"	"	
63-01x240	5/32" 4.0mm	201786A 683-008	206271 801-003	206290 820-005	"	"	
63-01x248	3/16" 4.8mm	201850 683-009	206272 801-004	206292 820-006	"	"	
63-01x256	7/32" 5.6mm	201851 683-010	206273 801-005	206294 820-007	206279 830-002	206283 830-004	
63-01x264	1/4" 6.35mm	201853 683-011	206274 801-006	206296 820-008	"	"	
63-01x348	3/16" 4.8mm	201854 683-012	206275 801-007	206298 820-009	206278 830-001	206282 830-003	See below for the feed pattern sketch.
63-01x356	7/32" 5.6mm	201855 683-013	206276 801-008	206300 820-010	206279 830-002	206283 830-004	
X 63-01x364	1/4" 6.35mm	201856 683-014	206277 801-009	206302 820-011	"	"	
43-01x224	3/32" 2.4mm	201849 683-004	206269 801-001	206304 820-012	206278 830-001	206282 830-003	
43-01x232	1/8" 3.2mm	201785A 683-007	206270 801-002	206306 820-014	"	"	
43-01x240	5/32" 4.0mm	201786A 683-008	206271 801-003	206308 820-016	"	"	
43-01x248	3/16" 4.8mm	201850 683-009	206272 801-004	206310 820-017	"	"	
43-01x256	7/32" 5.6mm	201851 683-010	206273 801-005	206312 820-018	206279 830-002	206283 830-004	
43-01x264	1/4" 6.35mm	201853 683-011	206274 801-006	206314 820-019	"	"	
43-01x348	3/16" 4.8mm	201854 683-012	206275 801-007	206316 820-020	206278 830-001	206282 830-003	See below for the feed pattern sketch.
43-01x356	7/32" 5.6mm	201855 683-013	206276 801-008	206318 820-021	206279 830-002	206283 830-004	
43-01x364	1/4" 6.35mm	201856 683-014	206277 801-009	206320 820-022	"	"	

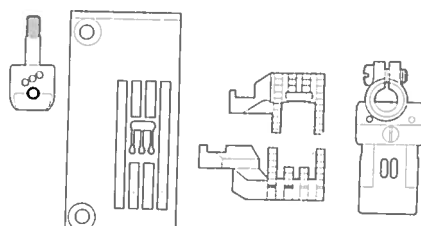
Note: All product code numbers begin with prefix 325-

Machine model	Needle gauge	Needle clamp	Needle plate	Presser foot complete	Main feed dog	Diff. feed dog	
63-02x224	3/32 2.4mm	201849 683-004	206355 801-012	206360 820-044	206280 830-005	206284 830-007	
63-02x232	1/8" 3.2mm	201785A 683-007	206356 801-014	206323 820-046	"	"	
63-02x240	5/32" 4.0mm	201786A 683-008	206357 801-016	206324 820-048	"	"	
63-02x248	3/16" 4.8mm	201850 683-009	206358 801-017	206325 820-049	206281 830-006	206285 830-008	
63-02x256	7/32" 5.6mm	201851 683-010	206452 801-018	206440 820-050	"	"	
63-02x264	1/4" 6.35mm	201853 683-011	206453 801-019	206441 820-051	"	"	
63-02x348	3/16" 4.8mm	201854 683-012	206454 801-020	206442 820-052	"	"	
63-02x356	7/32" 5.6mm	201855 683-013	206455 801-021	206443 820-053	"	"	
63-02x360	15/64 6.0mm	201536A 683-015	206518 801-028	206519 820-066	"	"	
63-02x364	1/4" 6.35mm	201856 683-014	206456 801-022	206444 820-054	"	"	
43-02x224	3/32" 2.4mm	201849 683-004	206355 801-012	206449 820-055	206280 830-005	206284 830-007	
43-02x232	1/8" 3.2mm	201785A 683-007	206356 801-014	206326 820-057	"	"	
43-02x240	5/32" 4.0mm	201786A 683-008	206357 801-016	206327 820-059	"	"	
43-02x248	3/16" 4.8mm	201850 683-009	206358 801-017	206328 820-060	206281 830-006	206285 830-008	
43-02x256	7/32" 5.6mm	201851 683-010	206452 801-018	206491 820-061	"	"	
43-02x264	1/4" 6.35mm	201853 683-011	206453 801-019	206492 820-062	"	"	
43-02x348	3/16" 4.8mm	201854 683-012	206454 801-020	206493 820-063	"	"	
43-02x356	7/32" 5.6mm	201855 683-013	206455 801-021	206494 820-064	"	"	
43-02x364	1/4" 6.35mm	201856 683-014	206456 801-022	206495 820-065	"	"	

63-01x348



43-01x348



CROSS NUMBER INDEX

(Index with old numbers listed numerically begins on page 48)

NEW PRODUCT			REF.	NEW PRODUCT			REF.	NEW PRODUCT			REF.
CODE NO.	OLD NO.	PAGE	NO.	CODE NO.	OLD NO.	PAGE	NO.	CODE NO.	OLD NO.	PAGE	NO.
323-615-213	202058	35	28	323-685-003	202199	29	28	325-502-001	206175	23	29
323-615-216	202875	17	37	323-685-003	202199	33	22	325-505-001	251	35	9
323-615-229	202287A	3	12	323-685-013	227	39	12	325-508-001	206001	3	1
323-615-229	202287A	31	7	323-685-014	238	39		325-510-001	206014	5	4
323-615-233	204520	17	4	323-685-018	262	39	30	325-510-002	206016	5	8
323-615-233	204520	23	26	323-732-004	125	41	21	325-510-003	206019	5	12
323-616-200	204293	17	7	323-736-200	204196	33	20	325-510-004	206020	5	15
323-617-001	225	35	12	323-740-034	229	39	14	325-510-005	206018	5	24
323-617-001	225	39	10	323-740-035	219	39	4	325-510-006	206025	5	26
323-617-200	202286	15	6	323-740-036	220	39	5	325-510-007	206031	5	38
323-617-200	202286	17	20	323-750-002	201107	19	29	325-510-008	206034	5	46
323-618-002	201029	21	12	323-750-006	233	39	20	325-510-009	206359	35	23
323-618-002	201029	25	20	323-764-001	201294	29	4	325-515-001	206040	9	6
323-618-003	201056	17	16	323-764-002	201295	29	5	325-515-002	206088	7	25
323-618-206	204091	15	20	323-780-002	201039	27	5	325-525-001	206217	13	1
323-618-212	204107	17	18	323-780-002	201039	27	16	325-525-002	206091	15	1
323-620-024	223	39	8	323-780-002	201039	27	27	325-525-003	206099	17	1
323-620-232	202711	13	3	323-800-002	201005	3	16	325-525-004	206165	23	11
323-620-242	204006	3	6	323-800-006	201293A	29	2	325-525-005	206187	25	9
323-620-252	204128A	19	23	323-800-009	201487	31	2	325-530-001	206098	15	29
323-620-253	204519	17	3	323-800-200	202523	9	27	325-530-002	206145	21	14
323-625-201	204518	17	9	323-850-031	228	39	13	325-540-001	206038	9	3
323-626-201	204052A	15	13	323-850-200	201074A	15	4	325-540-002	206354	7	2
323-627-011	201755	3	32	323-851-020	235	39	26	325-540-003	206222	13	13
323-627-204	202765	37	7	323-851-021	237	39	28	325-540-004	206093	15	11
323-627-205	204004	3	13	323-880-005	200	41	17	325-540-005	206101	17	15
323-627-208	202903	31	11	323-880-007	130A	41	8	325-540-006	206151	21	24
323-630-001	3044	19	10	323-880-008	258	41	13	325-540-007	206176	23	32
323-630-001	3044	19	15	323-880-010	282	41	5	325-540-008	206191	25	17
323-630-004	3018	23	25	323-880-012	284	41	6	325-540-009	206208	27	36
323-630-016	5213	19	21	323-880-014	286	41	7	325-546-001	206049	9	22
323-630-018	222	39	7	323-880-015	246	41	16	325-546-002	206084	7	21
323-630-019	226	35	13	323-880-212	152	41	12	325-546-003	206089	7	31
323-630-019	226	39	11	323-880-214	182	41	15	325-550-001	206050	9	24
323-630-020	231	35	19	323-885-001	127	41	9	325-557-001	206071	7	7
323-630-020	231	35	22	323-885-002	128	41	10	325-560-001	206064	11	29
323-630-020	231	39	16	323-885-003	129	41	11	325-560-002	206352	15	27
323-630-020	231	39	19	323-886-001	131	41	18	325-560-003	206133	19	41
323-630-020	231	39	22	323-940-207	214	39	39	325-561-001	206220	13	9
323-630-020	231	39	25	323-940-208	210	39		325-570-001	206072	29	10
323-630-021	236	39	27	323-945-001	154	41	14	325-571-001	206051	9	25
323-630-021	236	39	29	323-945-003	135A	41	3	325-576-001	206218	13	5
323-630-200	201035A	27	2	323-945-007	178	41	4	325-576-002	206092	15	7
323-630-200	201035A	27	13	323-945-008	133-1	41	1	325-576-003	206095	15	15
323-630-200	201035A	27	24	323-945-206	123	41	26	325-576-004	206148	21	18
323-630-215	5020	23	15	323-945-208	202693A	37	6	325-576-005	206149	21	20
323-632-201	204185	31	14					325-576-006	206174	23	27
323-636-001	201300	29	20					325-576-007	206190	25	15
323-636-200	200136	29	18					325-576-008	206213	27	38
323-639-004	201320	29	26					325-579-001	206347	9	4
323-640-203	200205	11	12	324-600-206	2948	21	15	325-579-002	206349	9	20
323-642-001	201037	27	4	324-600-207	5116	35	37	325-580-001	206219	13	7
323-642-002	201068	27	15					325-580-002	206100	17	13
323-642-003	201086	27	26					325-580-008	206124-8	41	22
323-642-200	137109	17	39					325-580-010	206124-10	19	19
323-642-200	137109	23	43					325-580-012	206124-12	19	17
323-649-001	201009	29	7					325-580-014	206124-14	41	23
323-653-005	202176	11	20					325-580-015	206169	23	18
323-653-006	204270	33	19					325-590-001	206138	21	3
323-655-001	201004	3	15					325-590-002	206216	27	41
323-659-200	132	41	2					325-590-003	255	35	17
323-660-200	153	41	19					325-591-001	206056	11	6
323-676-023	201081A	13	14					325-593-001	206116	19	1
323-676-202	202278	27	3					325-593-002	206117	19	4
323-676-202	202278	27	14					325-600-001	5373	11	35
323-676-202	202278	27	25					325-600-004	5105	5	45
323-676-236	204081	15	12					325-600-005	5393	5	47
323-676-261	204129A	19	27					325-600-006	5388	9	21
323-680-009	201665	21	30					325-600-007	5384	7	13
323-683-002	201303	29	29					325-600-008	5398	7	32

CROSS NUMBER INDEX

(Index with old numbers listed numerically begins on page 48)

NEW PRODUCT CODE NO.	OLD NO.	PAGE	REF. NO.	NEW PRODUCT CODE NO.	OLD NO.	PAGE	REF. NO.	NEW PRODUCT CODE NO.	OLD NO.	PAGE	REF. NO.
325-740-006	206183	23	45	325-820-022	206320	42					
325-740-007	206230	29	15	325-820-044	206360	43					
325-740-008	206268	33	14	325-820-046	206323	43					
325-740-009	201914	35	36	325-820-048	206324	43					
325-740-010	206339	37	1	325-820-049	206325	43					
325-750-001	206062	11	26	325-820-050	206440	43					
325-750-002	206063	11	28	325-820-051	206441	43					
325-750-003	206127	19	30	325-820-052	206442	43					
325-750-004	206140	21	6	325-820-053	206443	43					
325-756-001	206110	17	31	325-820-054	206444	43					
325-756-002	206207	27	35	325-820-055	206449	43					
325-758-001	206036	9	1	325-820-057	206326	43					
325-758-002	206068	7	1	325-820-059	206327	43					
325-765-001	206229	29	12	325-820-060	206328	43					
325-780-001	206256	33	3	325-820-061	206491	43					
325-780-002	206265	33	11	325-820-062	206492	43					
325-794-001	206249	31	18	325-820-063	206493	43					
325-800-001	206012	5	1	325-820-064	206494	43					
325-800-002	206030	5	41	325-820-065	206495	43					
325-800-003	206032	5	44	325-820-066	206519	43					
325-800-004	206008	3	18	325-830-001	206278	42					
325-800-005	206010	3	22	325-830-002	206279	42					
325-800-006	201515	7	29	325-830-003	206282	42					
325-800-007	206372	19	37	325-830-004	206283	42					
325-800-008	206134	19	42	325-830-005	206280	43					
325-800-009	206235	29	32	325-830-006	206281	43					
325-800-010	206393	31	10	325-830-007	206284	43					
325-800-011	206439	35	26	325-830-008	206285	43					
325-800-012	206332	35	30	325-840-001	206146	21	16				
325-800-013	201913	35	34	325-841-001	206160	23	5				
325-801-001	206269	42		325-850-001	206113	17	41				
325-801-002	206270	42		325-850-002	206130	19	33				
325-801-003	206271	42		325-850-003	206131	19	35				
325-801-004	206272	42		325-850-004	206132	19	39				
325-801-005	206273	42		325-850-005	206189	25	14				
325-801-006	206274	42		325-850-006	206206	27	33				
325-801-007	206275	42		325-850-007	206329	37	10				
325-801-008	206276	42		325-851-001	201562A	3	29				
325-801-009	206277	42		325-851-002	206182	23	38				
325-801-012	206355	43		325-851-003	206184	25	1				
325-801-014	206356	43		325-851-004	206199	25	25				
325-801-016	206357	43		325-851-005	206201	27	7				
325-801-017	206358	43		325-851-005	206201	27	18				
325-801-018	206452	43		325-851-005	206201	27	29				
325-801-019	206453	43		325-851-006	206203	27	11				
325-801-020	206454	43		325-851-006	206203	27	22				
325-801-021	206455	43		325-851-006	206203	27	32				
325-801-022	206456	43		325-860-001	206057	11	7				
325-801-028	206518	43		325-860-002	206111	17	35				
325-810-001	206097	15	25	325-860-003	206114	17	43				
325-811-001	206196	3	25	325-862-001	201538	11	15				
325-811-002	206197	3	27	325-862-002	206108	17	27				
325-817-001	206158	23	1	325-863-001	206109	17	29				
325-820-001	206286	42		325-866-001	206103	17	23				
325-820-003	206288	42		325-866-002	206185	25	4				
325-820-005	206290	42		325-866-003	206198	25	23				
325-820-006	206292	42		325-900-001	206200	27	1				
325-820-007	206294	42		325-900-002	206204	27	12				
325-820-008	206296	42		325-900-003	206205	27	23				
325-820-009	206298	42		325-900-004	206226	29					
325-820-010	206300	42		325-900-005	206254	33					
325-820-011	206302	42		325-900-006	206263	33					
325-820-012	206304	42		325-900-007	206267	33	13				
325-820-014	206306	42		325-900-008	257	35					
325-820-016	206308	42		325-900-009	206345	37					
325-820-017	206310	42		325-900-010	205350	37					
325-820-018	206312	42		325-900-011	206227	29	1				
325-820-019	206314	42		325-945-001	206338	37	8				
325-820-020	206316	42		325-945-002	900	41	25				
325-820-021	206318	42									

CROSS NUMBER INDEX

(Index with new product code numbers listed numerically begins on page 44)

OLD NO.	NEW PRODUCT CODE NO.	PAGE	REF. NO.	OLD NO.	NEW PRODUCT CODE NO.	PAGE	REF. NO.	OLD NO.	NEW PRODUCT CODE NO.	PAGE	REF. NO.
11-1	325-600-200	35	35	256	325-685-006	35	20	2922	323-600-229	17	10
123	323-945-206	41	26	257	325-900-008	35		2948	324-600-206	21	15
125	323-732-004	41	21	258	323-880-008	41	13	3018	323-630-004	23	25
127	323-885-001	41	9	262	323-685-018	39	30	3044	323-630-001	19	10
128	323-885-002	41	10	270	325-618-003	35	5	3044	323-630-001	19	15
129	323-885-003	41	11	282	323-880-010	41	5	4009-1	323-600-014	3	21
130A	323-880-007	41	8	284	323-880-012	41	6	4009-1	323-600-014	3	24
131	323-886-001	41	18	286	323-880-014	41	7	4009-1	323-600-014	5	9
132	323-659-200	41	2	900	325-945-002	41	25	4009-1	323-600-014	5	21
133-1	323-945-008	41	1	1092	323-600-220	17	38	4009-1	323-600-014	5	25
135A	323-945-003	41	3	1156	323-600-200	5	6	4009-1	323-600-014	23	39
152	323-880-212	41	12	1156	323-600-200	15	5	4009-1	323-600-014	25	2
153	323-660-200	41	19	1170	323-600-226	23	4	4009-1	323-600-014	25	5
154	323-945-001	41	14	1170-1	323-600-020	15	3	4009-1	323-600-014	25	24
178	323-945-007	41	4	1170-1	323-600-020	25	11	4009-1	323-600-014	25	26
182	323-880-214	41	15	1170-3	323-600-046	21	2	4009-1	323-600-014	37	11
200	323-880-005	41	17	1174	323-600-027	23	12	5002	323-600-011	7	30
210	323-940-208	39		1175-2	323-600-002	19	3	5002	323-600-011	15	2
214	323-940-207	39		1175-2	323-600-002	19	6	5002	323-600-011	25	10
216	323-535-001	39	1	1186	323-600-246	17	36	5020	323-630-215	23	15
217	323-600-118	39	2	1189	323-600-301	5	35	5030	323-600-202	23	41
218	323-535-002	39	3	1196	323-600-029	17	34	5048	323-600-028	15	8
219	323-740-035	39	4	1206	323-600-021	3	17	5048	323-600-028	15	10
220	323-740-036	39	5	1206	323-600-021	31	17	5058	323-600-225	9	18
221	323-600-119	39	6	1231	323-600-051	15	28	5060	323-600-004	9	5
222	323-630-018	39	7	1234	323-600-006	17	32	5060	323-600-004	29	11
223	323-620-024	39	8	1435	323-600-069	3	26	5084	323-600-013	13	4
224	323-615-028	39	9	1435	323-600-069	3	28	5084	323-600-013	13	6
225	323-617-001	35	12	1448	323-600-286	7	4	5084	323-600-013	13	10
225	323-617-001	39	10	1457	323-600-012	21	13	5084	323-600-013	13	12
226	323-630-019	35	13	1457	323-600-012	21	31	5084	323-600-013	13	19
226	323-630-019	39	11	1457	323-600-012	23	10	5084	323-600-013	15	19
227	323-685-013	39	12	1458	323-600-037	5	23	5084	323-600-013	15	22
228	323-850-031	39	13	1458	323-600-037	5	37	5084	323-600-013	17	17
229	323-740-034	39	14	1458	323-600-037	7	18	5084	323-600-013	19	24
230	323-600-120	35	18	1458	323-600-037	11	21	5084	323-600-013	21	27
230	323-600-120	35	21	1458	323-600-037	11	23	5088	323-600-044	17	30
230	323-600-120	39	15	1458	323-600-037	19	28	5091	323-600-257	19	44
230	323-600-120	39	18	1458	323-600-037	21	32	5091	323-600-257	33	9
230	323-600-120	39	21	1458	323-600-037	25	21	5094	323-600-072	5	48
230	323-600-120	39	24	1458	323-600-037	29	9	5094	323-600-072	29	14
231	323-630-020	35	19	1458	323-600-037	31	13	5095	323-600-038	5	39
231	323-630-020	35	22	1459	323-600-034	5	31	5104	325-630-002	17	5
231	323-630-020	39	16	1732	323-600-075	5	13	5105	325-600-004	5	45
231	323-630-020	39	19	1892	323-600-033	7	5	5111	325-630-003	27	10
231	323-630-020	39	22	1998-2	323-600-024	23	2	5111	325-630-003	27	21
231	323-630-020	39	25	2022	323-600-043	7	20	5113	323-600-039	5	11
232	323-535-003	39	17	2022	323-600-043	17	24	5113	323-600-039	5	33
233	323-750-006	39	20	2022	323-600-043	29	13	5113	323-600-039	35	25
234	323-590-003	39	23	2022	323-600-043	35	8	5113	323-600-039	35	33
235	323-851-020	39	26	2022-4	323-600-022	21	19	5116	324-600-207	35	37
236	323-630-021	39	27	2193	323-600-271	3	20	5117	323-600-057	17	26
236	323-630-021	39	29	2193	323-600-271	15	23	5117	323-600-057	17	42
237	323-851-021	39	28	2193	323-600-271	17	19	5117	323-600-057	27	42
238	323-685-014	39		2213	323-600-237	15	26	5117	323-600-057	29	3
239	323-600-121	39	31	2213-1	323-600-056	5	3	5117	323-600-057	31	21
240	323-505-009	39	32	2213-1	323-600-056	13	2	5117	323-600-057	33	16
241	323-600-122	35	10	2213-1	323-600-056	21	7	5118	323-600-060	19	34
241	323-600-122	39	34	2237	323-600-067	13	8	5118	323-600-060	19	36
242	323-600-123	39	33	2902	323-600-259	5	17	5118	323-600-060	19	40
245	323-533-005	41	20	2902	323-600-259	31	9	5118	323-600-060	21	5
246	323-880-015	41	16	2903	323-600-216	5	28	5118	323-600-060	31	23
247	325-613-001	35	3	2903	323-600-216	11	27	5118	323-600-060	33	15
250	325-607-004	35	7	2903	323-600-216	11	30	5138B	323-600-354	3	11
251	325-505-001	35	9	2905	323-600-074	5	42	5138B	323-600-354	31	6
252	325-607-005	35	11	2905	323-600-074	19	38	5141	323-600-087	17	28
253	325-607-003	35	6	2905	323-600-074	27	45	5146	323-600-264	5	19
253	325-607-003	35	14	2905	323-600-074	33	7	5152	323-600-061	5	40
254	325-685-005	35	15	2905	323-600-074	35	31	5152	323-600-061	29	34
255	325-590-003	35	17	2913-2	323-600-316	9	19	5161	325-600-022	35	4

CROSS NUMBER INDEX

(Index with new product code numbers listed numerically begins on page 44)

NEW PRODUCT				NEW PRODUCT				NEW PRODUCT			
OLD NO.	CODE NO.	PAGE	REF. NO.	OLD NO.	CODE NO.	PAGE	REF. NO.	OLD NO.	CODE NO.	PAGE	REF. NO.
5161	325-600-022	35	16	137109	323-642-200	23	43	201851	325-683-010	43	
5167	325-600-011	11	16	192070	323-613-201	11	11	201853	325-683-011	42	
5167	325-600-011	11	18	192107-1	325-627-002	5	14	201853	325-683-011	43	
5179	323-600-329	3	7	192107-1	325-627-002	5	43	201854	325-683-012	42	
5179	323-600-329	3	9	192107-1	325-627-002	35	29	201854	325-683-012	43	
5184	323-600-079	21	23	192120	325-639-200	27	43	201855	325-683-013	42	
5186	325-600-010	11	3	200098	323-615-002	19	11	201855	325-683-013	43	
5186	325-600-010	11	33	200098	323-615-002	19	16	201856	325-683-014	42	
5187	323-600-095	21	21	200098	323-615-002	25	3	201856	325-683-014	43	
5187	323-600-095	27	40	200098	323-615-002	25	6	201913	325-800-013	35	34
5198	323-600-208	3	14	200098	323-615-002	25	27	201914	325-740-009	35	36
5213	323-630-016	19	21	200136	323-636-200	29	18	202058	323-615-213	35	28
5214	323-600-209	9	28	200138	323-615-209	29	24	202176	323-653-005	11	20
5216B	323-600-289	11	8	200138	323-615-209	33	21	202199	323-685-003	29	28
5224	323-600-305	23	21	200152	323-604-209	29	17	202199	323-685-003	33	22
5232	323-600-314	37	9	200205	323-640-203	11	12	202278	323-676-202	27	3
5233	323-600-296	17	2	201004	323-655-001	3	15	202278	323-676-202	27	14
5238	323-600-294	7	36	201005	323-800-002	3	16	202278	323-676-202	27	25
5261	323-600-318	33	1	201006	323-615-001	3	8	202286	323-617-200	15	6
5261	323-600-318	35	27	201006	323-615-001	3	10	202286	323-617-200	17	20
5267	323-600-295	7	35	201009	323-649-001	29	7	202287A	323-615-229	3	12
5274	323-600-263	23	37	201029	323-618-002	21	12	202287A	323-615-229	31	7
5276	323-600-088	25	8	201029	323-618-002	25	20	202433	323-615-027	17	6
5282	325-600-018	29	16	201035A	323-630-200	27	2	202523	323-800-200	9	27
5292	323-600-341	11	10	201035A	323-630-200	27	13	202693A	323-945-208	37	6
5312	323-600-351	7	9	201035A	323-630-200	27	24	202700	323-615-203	37	4
5312	323-600-351	7	22	201037	323-642-001	27	4	202711	323-620-232	13	3
5312	323-600-351	9	10	201039	323-780-002	27	5	202765	323-627-204	37	7
5312	323-600-351	9	16	201039	323-780-002	27	16	202875	323-615-216	17	37
5312	323-600-351	9	23	201039	323-780-002	27	27	202903	323-627-208	31	11
5312	323-600-351	23	17	201056	323-618-003	17	16	204004	323-627-205	3	13
5312	323-600-351	23	19	201068	323-642-002	27	15	204006	323-620-242	3	6
5317	323-600-355	19	26	201074A	323-850-200	15	4	204052A	323-626-201	15	13
5318	325-600-017	23	31	201075	323-604-004	15	9	204081	323-676-236	15	12
5325	323-600-110	7	26	201081A	323-676-023	13	14	204091	323-618-206	15	20
5325	323-600-110	11	25	201086	323-642-003	27	26	204107	323-618-212	17	18
5333	323-600-358	17	8	201104	323-615-006	7	37	204128A	323-620-252	19	23
5345	323-600-096	17	44	201107	323-750-002	19	29	204129A	323-676-261	19	27
5373	325-600-001	11	35	201185	323-615-012	15	24	204183	323-540-237	29	6
5381	323-600-801	15	16	201185	323-615-012	27	46	204184	323-540-236	29	8
5381	323-600-801	15	30	201293A	323-800-006	29	2	204185	323-632-201	31	14
5381	323-600-801	17	12	201294	323-764-001	29	4	204196	323-736-200	33	20
5381	323-600-801	23	28	201295	323-764-002	29	5	204270	323-653-006	33	19
5382	325-600-016	23	30	201300	323-636-001	29	20	204293	323-616-200	17	7
5382	325-600-016	27	37	201302	323-615-008	29	25	204439A	323-615-033	19	25
5383	325-607-002	27	8	201303	323-683-002	29	29	204517	323-576-225	17	11
5383	325-607-002	27	19	201320	323-639-004	29	26	204518	323-625-201	17	9
5383	325-607-002	27	30	201487	323-800-009	31	2	204519	323-620-253	17	3
5384	325-600-007	7	13	201512	325-671-004	7	24	204520	323-615-233	17	4
5385	323-600-127	7	8	201514	325-641-001	7	28	204520	323-615-233	23	26
5385	323-600-127	9	7	201515	325-800-006	7	29	205350	325-900-010	37	
5385	323-600-127	9	26	201517	325-634-003	7	27	206001	325-508-001	3	1
5385	323-600-127	17	14	201536A	325-683-015	43		206007	325-656-002	3	4
5385	323-600-127	25	13	201538	325-862-001	11	15	206008	325-800-004	3	18
5385	323-600-127	25	16	201562A	325-851-001	3	29	206009	325-663-003	3	19
5386	325-600-015	21	29	201605	325-740-005	17	33	206010	325-800-005	3	22
5387	323-600-040	23	44	201665	323-680-009	21	30	206011	325-663-004	3	23
5388	325-600-006	9	21	201755	323-627-011	3	32	206012	325-800-001	5	1
5390	325-600-021	31	5	201758	323-600-064	29	36	206013	325-663-001	5	2
5391	325-605-001	31	4	201759	323-615-010	29	37	206014	325-510-001	5	4
5393	325-600-005	5	47	201785A	325-683-007	42		206015	325-663-002	5	5
5398	325-600-008	7	32	201785A	325-683-007	43		206016	325-510-002	5	8
5399	325-600-009	7	33	201786A	325-683-008	42		206017	325-627-001	5	10
9070-2	323-600-224	11	13	201786A	325-683-008	43		206018	325-510-005	5	24
011111	323-613-202	27	6	201804	325-660-001	23	40	206019	325-510-003	5	12
011111	323-613-202	27	17	201849	325-683-004	42		206020	325-510-004	5	15
011111	323-613-202	27	28	201849	325-683-004	43		206021	325-728-001	5	16
37108	323-613-200	17	40	201850	325-683-009	42		206022	325-620-001	5	18
37108	323-613-200	23	42	201850	325-683-009	43		206023	325-734-001	5	20
37109	323-642-200	17	39	201851	325-683-010	42		206024	325-620-002	5	22

CROSS NUMBER INDEX

(Index with new product code numbers listed numerically begins on page 44)

OLD NO.	NEW PRODUCT CODE NO.	PAGE	REF. NO.	OLD NO.	NEW PRODUCT CODE NO.	PAGE	REF. NO.	OLD NO.	NEW PRODUCT CODE NO.	PAGE	REF. NO.
206024	325-620-002	5	36	206108	325-862-002	17	27	206180	325-618-002	23	35
206025	325-510-006	5	26	206109	325-863-001	17	29	206181	325-680-009	23	36
206026	325-728-002	5	27	206110	325-756-001	17	31	206182	325-851-002	23	38
206027	325-620-003	5	30	206111	325-860-002	17	35	206183	325-740-006	23	45
206028	325-734-002	5	32	206113	325-850-001	17	41	206184	325-851-003	25	17
206029	325-740-001	5	34	206114	325-860-003	17	43	206185	325-866-002	25	4
206030	325-800-002	5	41	206115	325-683-003	27	44	206186	325-700-001	25	7
206031	325-510-007	5	38	206116	325-593-001	19	1	206187	325-525-005	25	9
206032	325-800-003	5	44	206117	325-593-002	19	4	206188	325-608-003	25	12
206033	325-656-001	5	7	206118	325-730-002	19	7	206189	325-850-005	25	14
206034	325-510-008	5	46	206119	325-676-008	19	8	206190	325-576-007	25	15
206036	325-758-001	9	1	206120	325-600-012	19	9	206191	325-540-008	25	17
206037	325-676-001	9	2	206121	325-730-003	19	12	206192	325-676-014	25	18
206038	325-540-001	9	3	206122	325-676-009	19	13	206193	325-626-001	25	19
206040	325-515-001	9	6	206123	325-600-013	19	14	206195	325-680-010	25	22
206041	325-672-001	9	8	206124-8	325-580-008	41	22	206196	325-811-001	3	25
206042	325-634-001	7	11	206124-10	325-580-010	19	19	206197	325-811-002	3	27
206043	325-671-001	9	17	206124-12	325-580-012	19	17	206198	325-866-003	25	23
206047	325-680-001	9	9	206124-14	325-580-014	41	23	206199	325-851-004	25	25
206048	325-615-001	9	11	206125	325-672-004	19	18	206200	325-900-001	27	1
206049	325-546-001	9	22	206125	325-672-004	19	20	206201	325-851-005	27	7
206050	325-550-001	9	24	206126	325-615-004	19	22	206201	325-851-005	27	18
206051	325-571-001	9	25	206127	325-750-003	19	30	206201	325-851-005	27	29
206052	325-730-001	11	1	206128	325-672-005	19	31	206202	325-680-011	27	9
206053	325-620-004	11	2	206129	325-634-005	19	32	206202	325-680-011	27	20
206054	325-672-003	11	4	206130	325-850-002	19	33	206202	325-680-011	27	31
206055	325-615-003	11	5	206131	325-850-003	19	35	206203	325-851-006	27	11
206055	325-615-003	13	17	206132	325-850-004	19	39	206203	325-851-006	27	22
206056	325-591-001	11	6	206133	325-560-003	19	41	206203	325-851-006	27	32
206057	325-860-001	11	7	206134	325-800-008	19	42	206204	325-900-002	27	12
206058	325-740-002	11	9	206135	325-663-005	19	43	206205	325-900-003	27	23
206059	325-676-003	11	19	206137	325-680-002	9	15	206206	325-850-006	27	33
206060	325-676-004	11	22	206138	325-590-001	21	3	206207	325-756-002	27	35
206061	325-683-001	11	24	206139	325-683-002	21	4	206208	325-540-009	27	36
206062	325-750-001	11	26	206140	325-750-004	21	6	206213	325-576-008	27	38
206063	325-750-002	11	28	206141	325-640-003	21	8	206215	325-620-007	27	39
206064	325-560-001	11	29	206142	325-607-001	21	9	206216	325-590-002	27	41
206065	325-740-003	11	31	206143	325-640-004	21	10	206217	325-525-001	13	1
206067	325-620-005	11	32	206144	325-600-014	21	11	206218	325-576-001	13	5
206068	325-758-002	7	1	206145	325-530-002	21	14	206219	325-580-001	13	7
206070	325-653-001	7	6	206146	325-840-001	21	16	206220	325-561-001	13	9
206071	325-557-001	7	7	206147	325-676-010	21	17	206221	325-685-001	13	11
206072	325-570-001	29	10	206148	325-576-004	21	18	206222	325-540-003	13	13
206074	325-676-002	7	12	206149	325-576-005	21	20	206223	325-676-005	13	15
206077	325-672-002	7	10	206150	325-730-004	21	22	206224	325-634-004	13	16
206077	325-672-002	7	14	206151	325-540-006	21	24	206225	325-680-004	13	18
206078	325-634-002	7	15	206155	325-640-005	21	25	206226	325-900-004	29	
206079	325-632-001	7	16	206156	325-680-006	21	26	206227	325-900-011	29	1
206080	325-627-004	7	17	206157	325-730-005	21	28	206229	325-765-001	29	12
206081	325-671-002	7	19	206158	325-817-001	23	1	206230	325-740-007	29	15
206084	325-546-002	7	21	206159	325-685-002	23	3	206232	325-639-002	29	27
206087	325-671-003	7	23	206160	325-841-001	23	5	206233	325-655-001	29	30
206088	325-515-002	7	25	206161	325-676-011	23	6	206233	325-655-001	41	27
206089	325-546-003	7	31	206162	325-632-002	23	7	206235	325-800-009	29	32
206090	325-680-003	7	34	206163	325-618-001	23	8	206236	325-663-006	29	33
206091	325-525-002	15	1	206164	325-680-007	23	9	206237	325-713-001	31	1
206092	325-576-002	15	7	206165	325-525-004	23	11	206238	325-663-007	31	3
206093	325-540-004	15	11	206166	325-625-001	23	13	206240	325-652-001	31	8
206094	325-676-006	15	14	206167	325-608-001	23	14	206244	325-639-004	31	12
206094	325-676-006	17	21	206168	325-608-002	23	16	206247	325-650-002	31	15
206095	325-576-003	15	15	206169	325-580-015	23	18	206248	325-716-001	31	16
206096	325-604-001	15	17	206170	325-680-008	23	20	206249	325-794-001	31	18
206097	325-810-001	15	25	206171	325-730-006	23	22	206250	325-640-006	31	19
206098	325-530-001	15	29	206172	325-672-006	23	23	206251	325-685-003	31	20
206099	325-525-003	17	1	206173	325-620-006	23	24	206252	325-650-003	31	25
206100	325-580-002	17	13	206174	325-576-006	23	27	206253	325-650-004	31	26
206101	325-540-005	17	15	206175	325-502-001	23	29	206254	325-900-005	33	
206102	325-676-007	17	22	206176	325-540-007	23	32	206255	325-658-001	33	2
206103	325-866-001	17	23	206177	325-676-012	23	33	206256	325-780-001	33	3
206107	325-740-004	17	25	206178	325-676-013	23	34	206257	325-620-008	33	4

CROSS NUMBER INDEX

(Index with new product code numbers listed numerically begins on page 44)

OLD NO.	NEW PRODUCT CODE NO.	PAGE	REF. NO.	OLD NO.	NEW PRODUCT CODE NO.	PAGE	REF. NO.
206260	325-650-005	33	5	206355	325-801-012	43	
206261	325-685-004	33	6	206356	325-801-014	43	
206262	325-604-003	33	8	206357	325-801-016	43	
206263	325-900-006	33		206358	325-801-017	43	
206264	325-658-002	33	10	206359	325-510-009	35	23
206265	325-780-002	33	11	206360	325-820-044	43	
206266	325-620-009	33	12	206362	325-615-002	9	12
206267	325-900-007	33	13	206363	325-646-001	9	13
206268	325-740-008	33	14	206364	325-646-002	9	14
206269	325-801-001	42		206366	325-632-003	31	24
206270	325-801-002	42		206367	325-650-001	27	34
206271	325-801-003	42		206368	325-627-003	3	31
206272	325-801-004	42		206372	325-800-007	19	37
206273	325-801-005	42		206393	325-800-010	31	10
206274	325-801-006	42		206394	325-680-005	15	18
206275	325-801-007	42		206394	325-680-005	15	21
206276	325-801-008	42		206396	325-639-003	29	35
206277	325-801-009	42		206397	325-653-002	29	38
206278	325-830-001	42		206398	325-600-020	29	21
206279	325-830-002	42		206399	325-636-001	29	23
206280	325-830-005	43		206400	325-639-001	29	22
206281	325-830-006	43		206401	325-604-002	29	31
206282	325-830-003	42		206403	325-600-019	29	19
206283	325-830-004	42		206404	325-692-001	3	2
206284	325-830-007	43		206405	325-692-002	3	3
206285	325-830-008	43		206405	325-692-002	35	1
206286	325-820-001	42		206406	325-692-003	35	2
206288	325-820-003	42		206439	325-800-011	35	26
206290	325-820-005	42		206440	325-820-050	43	
206292	325-820-006	42		206441	325-820-051	43	
206294	325-820-007	42		206442	325-820-052	43	
206296	325-820-008	42		206443	325-820-053	43	
206298	325-820-009	42		206444	325-820-054	43	
206300	325-820-010	42		206449	325-820-055	43	
206302	325-820-011	42		206452	325-801-018	43	
206304	325-820-012	42		206453	325-801-019	43	
206306	325-820-014	42		206454	325-801-020	43	
206308	325-820-016	42		206455	325-801-021	43	
206310	325-820-017	42		206456	325-801-022	43	
206312	325-820-018	42		206460	325-615-005	35	38
206314	325-820-019	42		206491	325-820-061	43	
206316	325-820-020	42		206492	325-820-062	43	
206318	325-820-021	42		206493	325-820-063	43	
206320	325-820-022	42		206494	325-820-064	43	
206323	325-820-046	43		206495	325-820-065	43	
206324	325-820-048	43		206518	325-801-028	43	
206325	325-820-049	43		206519	325-820-066	43	
206326	325-820-057	43					
206327	325-820-059	43					
206328	325-820-060	43					
206329	325-850-007	37	10				
206330	325-649-001	7	3				
206331	325-734-003	35	24				
206332	325-800-012	35	30				
206333	325-640-002	3	30				
206335	325-605-002	37	2				
206336	325-630-004	37	3				
206337	325-615-006	37	5				
206338	325-945-001	37	8				
206339	325-740-010	37	1				
206340	325-639-006	33	18				
206343	325-639-005	31	22				
206345	325-900-009	37					
206347	325-579-001	9	4				
206348	325-656-003	3	5				
206349	325-579-002	9	20				
206351	325-640-001	5	29				
206352	325-560-002	15	27				
206353	325-650-006	33	17				
206354	325-540-002	7	2				

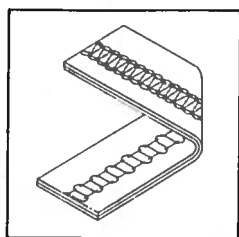
ORGANIZATION CHART

Model	Needle gauge inch mm	Number of needles threads	U. S. stitch	Operation
63-01×2 (43-01×2)	24	3/32 2.4	2 4 (3)	602 (406) 2 needle machine for seaming, cover seaming, cuff attaching in the knit underwear and foundation garment industries.
	32	1/8 3.2	2 4 (3)	
	40	5/32 4.0	2 4 (3)	
	48	3/16 4.8	2 4 (3)	
	56	7/32 5.6	2 4 (3)	
63-01×3 (43-01×3)	48	3/16 4.8	3 5 (4)	605 (407) 3-needle machine for seaming, cover seaming, cuff attaching, crotch seaming, in the knit underwear and foundation garment industries.
	56	7/32 5.6	3 5 (4)	
	64	1/4 6.35	3 5 (4)	
63-02×2 (43-02×2)	24	3/32 2.4	2 4 (3)	602 (406) 2-needle machine for attaching collarette tape and split tube borders to knit undergarments and outerwear. Furnished with a tape guide and reel. A tape binder at additional cost.
	32	1/8 3.2	2 4 (3)	
	40	5/32 4.0	2 4 (3)	
	48	3/16 4.8	2 4 (3)	
	56	7/32 5.6	2 4 (3)	
63-02×3 (43-02×3)	48	3/16 4.8	3 5 (4)	605 (407) 3-needle machine for attaching collarette tape and split tube borders to knit undergarments and outerwear. Furnished with a tape guide and reel. A tape binder at additional cost.
	56	7/32 5.6	3 5 (4)	
	60	15/64 6.0	3 5 (4)	
	64	1/4 6.35	3 5 (4)	

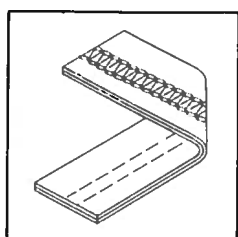
Class 63- Top and bottom cover stitch machines

Class 43- Bottom cover stitch machines

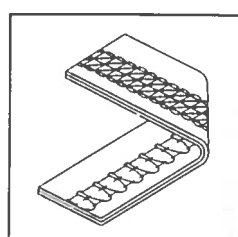
Tape Cutter available: Solenoid operated and actuated by knee, as model 63-02×240TK/03, e.g.



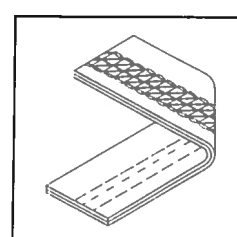
602



406



605



407

FEATURES

- * Totally enclosed, fully automatic lubrication.
- * Superior, positive differential feeding mechanism.
- * Stitch range can be changed by eccentric cams.
- * All thread tensions mounted in front of machine arm.
- * Various gauges available to adapt all types of knit fabrics.
- * Large and clear working space.
- * Easy adjustment of both loopers' strokes.

SPECIFICATIONS

SPEED	: Up to 6000 s.p.m. <small>depending on sew-off specification and/or operation</small>
STITCH RANGE	: Eccentric available for from 8 to 14 s.p.i.
Standard setting	: 12 s.p.i. (Cams 10 and 12)
TYPE OF NEEDLES	: UY128GAS
Size of needle	: #65 to #90 (#9 to #14)
Standard setting	: #75 (#11)
PRESSER FOOT LIFT	: 13/64" (5.2mm)
NEEDLE BAR STROKE	: 1-7/32" (31.0mm)
INSTALLATION	: Flush or semi-submerged
MOTOR POWER	: 400W output (1/2HP) or 500W (2/3HP)
NET WEIGHT	: 44kgs. (97 lbs.) - Model 63-01×356