

PARTS CATALOG

Cat. No. 8255

First edition

August, 1980.

BT DEVICE

FOR MACHINE TYPES.

504-E52-180. 514-E52-181.

504-E56-180.

504-4-180. 514-4-181.

WILCOX & GIBBS



INTRODUCTION

This parts catalog has been arranged in the following manner.

SUMMARY OF EACH DEVICE (pages 2-3)

The functions and specifications of each device are outlined briefly by charts.

ARRANGEMENT BY MECHANISM (pages 4-23)

Each mechanism is arranged on facing pages, the first page containing the illustrations and second page containing the data of the individual parts. The machine type numbers in the illustrations indicate which machine the parts are used on.

Note 1: The words after the slash / and in brackets () in the part name are the specifications and auxiliary explanations of the parts.

Example: POWER SOURCE CORD (200V)

↑
The applicable voltage

Note 2: The mark *** in the part number column shows the common parts for convenience.

PART NUMBER INDEX (pages 24-28)

A part number index is attached to the back of this catalog for convenience.

ORDERING PARTS

When placing orders for parts from this catalog, use ONLY THE PART NUMBER.

PRODUCTS COVERED BY THIS CATALOG

This catalog covers the products manufactured in December, 1979 and is applicable to your machine subject to change without notice.

TABLE OF CONTENTS

	PAGE
SUMMARY OF EACH DEVICE.....	3
CLAMP & KNIFE ASSEMBLY.....	4-5
FINGER DRIVE MECHANISM.....	4-5
TENSION CONTROL MECHANISM (1-NEEDLE).....	6-7
TENSION CONTROL MECHANISM (2-NEEDLE).....	8-9
SENSOR MECHANISM.....	10-11
SC CONTROLLER (1).....	12-13
SC CONTROLLER (2).....	14-15
BT CONTROLLER (1).....	16-17
BT CONTROLLER (2).....	18-19
SPECIFIC MACHINE PARTS FOR BT DEVICE.....	20-21
MECHANICAL TENSION CONTROLLER.....	22-23
HR DEVICE FOR BT054.....	22-23
PART NUMBER INDEX.....	24-28
	25

LIST OF BT DEVICE TYPES

See page 29 for more information.

FOR I-NEEDLE.

WITH ELECTRONIC TENSION CONTROLLER

BT DEVICE TYPE	BT021	BT022	BT024
MACHINE TYPE / SPECIFICATION	504-E56-180 / 223-N	504-E52-180 / 223-N	504-4-180 / 223-N
Clamp & knife assembly	301519	301519	304008
Tension releaser	301341	301341	303883
Sensor set	301361	301408	303822
Cloth plate	301338	301338	303874
Machine arm (left)	-----	-----	303424-FD
Top cover	-----	-----	303709-HD
Front cover	210225	-----	-----
Pulley	-----	-----	303861-HD
Fan assembly	301349	301349	-----
Needle thread cover	301350-HB	-----	303812-HD
Thread lubricator	-----	-----	303707
Thread guide	301363	301363	-----
Silicone pipe clamp	-----	-----	303708
screw	-----	-----	5077
Select the Controller and the Cord depending on the electric power to be used.	SC Controller	Cord	Electric power
	760052	742076	100V
	760053	742075	200V
		742077	220V
		742078	240V
	760054	742087	380V
		742088	415V

COMPONENTS OF BT DEVICE TYPES

WITHOUT TENSION CONTROLLER

BT DEVICE TYPE	BT001	BT002	BT004
MACHINE TYPE / SPECIFICATION	504-E56-180 / 223-N	504-E52-180 / 223-N	504-4-180 / 223-N
Clamp & knife assembly	301519	301519	304008
Cloth plate	301338	301338	303874
Front cover	210225	-----	-----
Pulley	-----	-----	303863-HD

WITH MECHANICAL TENSION CONTROLLER

BT DEVICE TYPE	BT081	BT082
MACHINE TYPE / SPECIFICATION	504-E56-180 / 223-N	504-E52-180 / 223-N
Clamp & knife assembly	301519	301519
Tension releaser	301438	301440
Cloth plate	301338	301338
Front cover	210225	-----

COMPONENTS OF BT DEVICE TYPES

PLEASE NOTE:

Needle Positioner Motors (PANA-STOP E) and Foot Lifters are available as option.

PART NO./AUX.

DEVICE TYPE	NAME	REMARKS
802008	Pana-stop E	For 100V. Other voltages are on request.
802007	Pana-stop E	For 200V. on request.
PL001	Foot lifter	Pneumatic type. For E series.
PL002	Foot lifter	Pneumatic type. For -4 series.
PL091	Foot lifter	Mechanical type. For E series.
PL092	Foot lifter	Mechanical type. For -4 series.

GAUGE PARTS LIST

MACHINE TYPE	SPEC. NG	GAUGE NG	SM	NEEDLE PLATE	MAIN FEED DOG COMPLETE	DIFF. FEED DOG	PRESSER FOOT	FINGER	NEEDLE HOLDER	UPPER LOOPER NO.	LOWER LOOPER	NEEDLE GUARD		NEEDLE TYPE	NEEDLE SIZE
												(FRONT)	(REAR)		
504-E52-180	223-N	-	4	301354	301348	301352	303867	301433	211358	210364 #22	210356	210251	210724	DCx1	#9
514-E52-181	323-N	2	3	301511	"	"	"	301510	211360	210365 #24	"	301373	"	"	#11
514-E52-182	323-N	2	3	"	"	"	"	"	"	"	"	"	"	"	#9
504-E56-180	223-N	-	4	301354	"	"	"	301433	-----	210359 #4	"	210078	210081	U0x154	"
504-4-180	223-N	-	4	303885	303866	303124	"	"	*204623	204062 #2	204072	204634	204635	DCx1	"
514-4-181	223-N	2	3	304006	"	"	"	301510	208905	204949 #8	"	204659	209009	"	#11
514-4-182	223-N	2	3	"	"	"	"	"	"	"	"	"	"	"	#9

* = NEEDLE BAR COMPLETE

COMMON GAUGE PARTS

201121A UPPER KNIFE

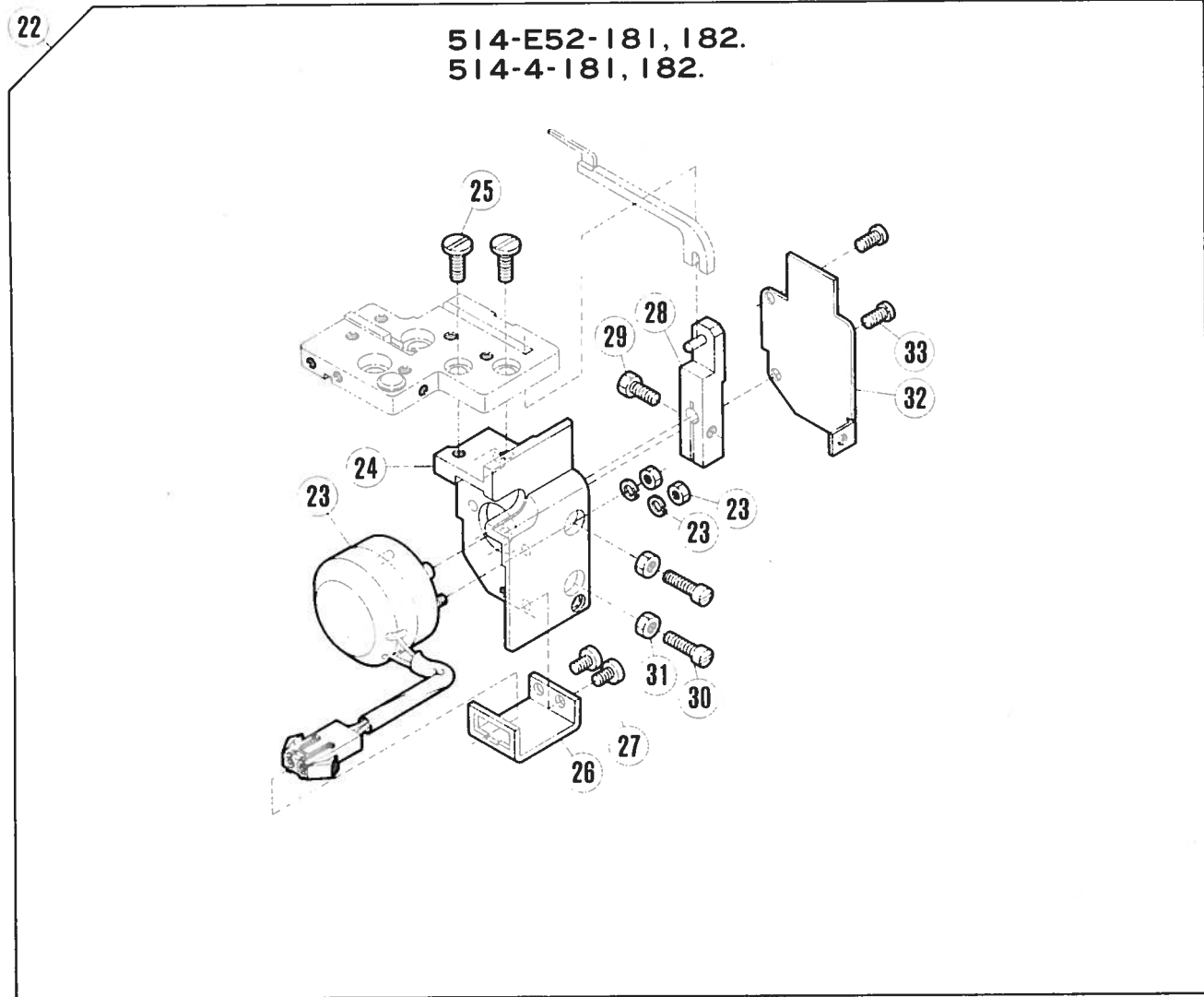
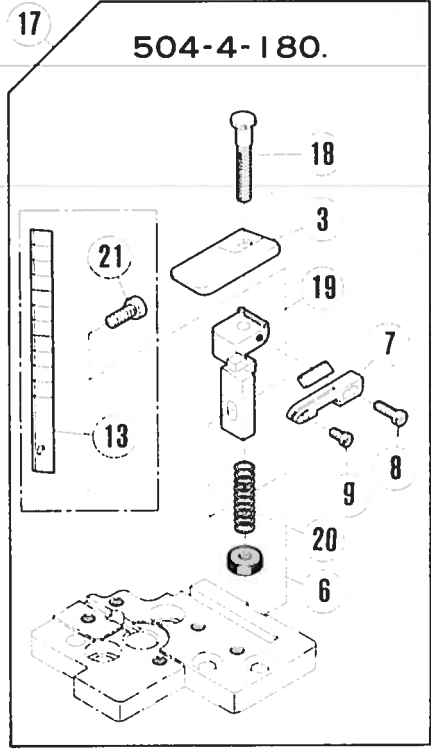
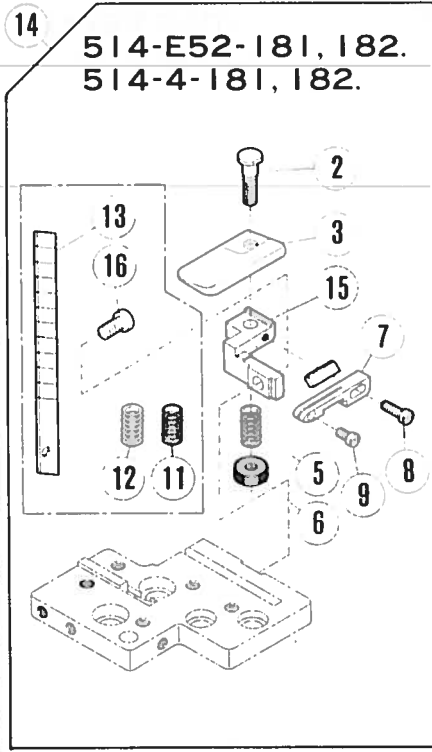
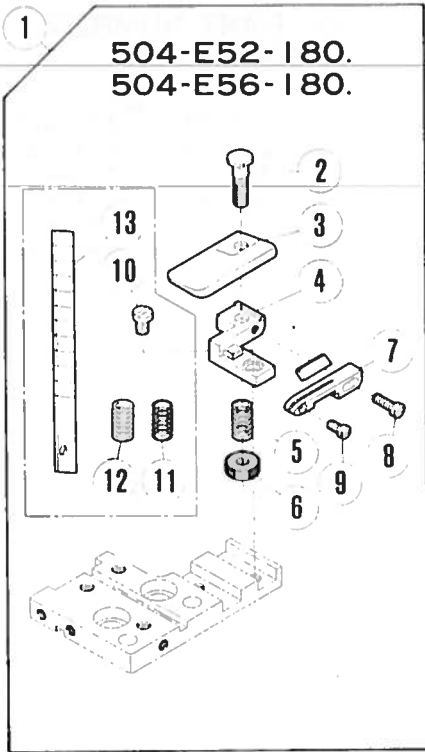
202295 LOWER KNIFE

CROSS REFERENCE FOR PART NUMBER AND NEW PRODUCT CODE NUMBER

Page 3		Page 2	
201121A	323-870-214	005077	323-600-307
201473B	323-820-022	210225	323-510-112
202295	323-870-210	301338	323-802-033
204006	323-620-242	301349	323-568-007
204062	323-810-218	301350-HB	323-510-130
204072	323-810-216	301361	323-971-001
204623	323-591-003	301363	323-851-056
204634	323-561-009	301408	323-971-003
204635	323-561-010	301438	323-903-006
204659	323-561-011	301440	323-903-007
204949	323-810-230	301519	323-871-006
208905	323-843-014	303424-FD	323-500-028
209009	323-561-058	303707	323-639-055
210078	323-561-036	303708	323-800-108
210081	323-561-038	303812-HD	323-510-138
210251	323-561-042	303822	323-971-007
210356	323-810-019	303861-HD	323-546-012
210359	323-810-022	303863-HD	323-546-013
210364	323-810-025	303874	323-802-047
210365	323-810-026	303883	323-903-003
210724	323-561-054	304008	323-871-008
211358	323-843-023	742075	323-537-030
211360	323-843-024	742076	323-537-031
301348	323-830-408	742077	323-537-032
301352	323-831-001	742078	323-537-033
301354	323-801-648	742087	323-537-040
301373	323-561-056	742088	323-537-041
301433	323-863-050	760052	323-516-004
301510	323-863-057	760053	323-516-005
301511	323-801-765	760054	323-516-006
303124	323-831-005		
303866	323-839-003		
303867	323-820-313		
303885	323-801-750		

PLEASE NOTE:

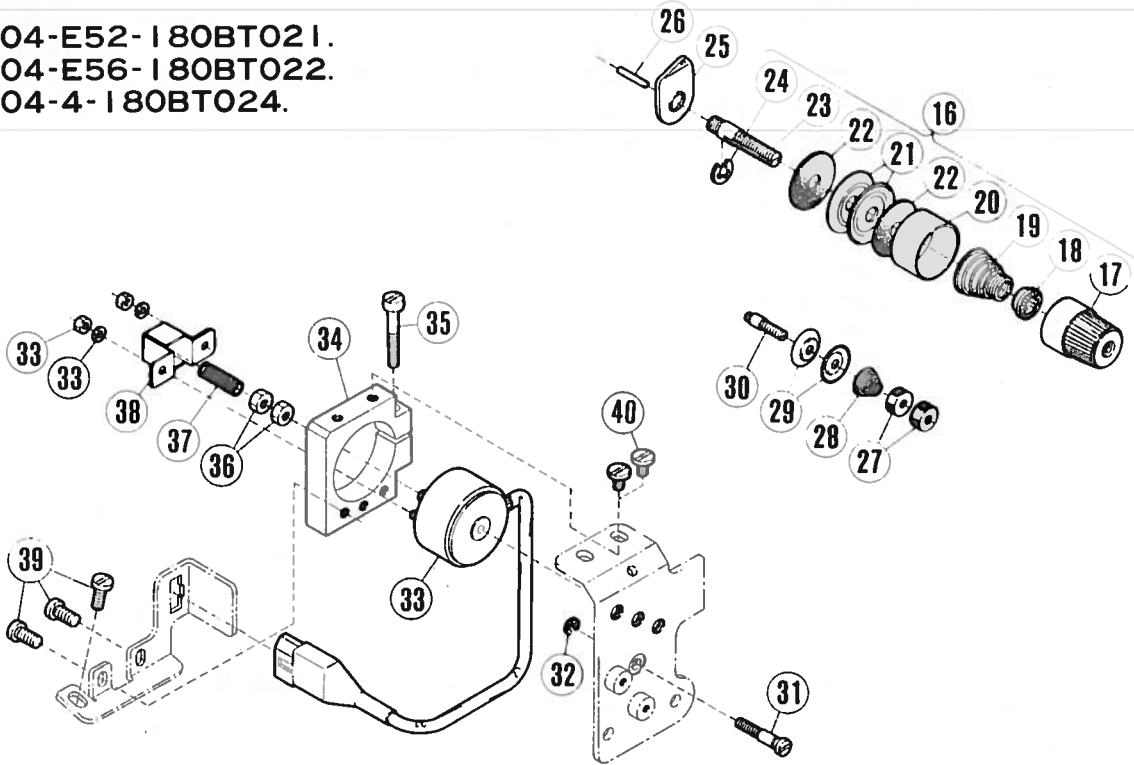
Presser Foot #201473B is used in the machines equipped without Electronic Tension Controllers (BT001-BT004) and equipped with Mechanical Tension Controllers (BT081-BT082).



CLAMP & KNIFE ASSEMBLY FINGER DRIVE MECHANISM

REF. NO.	PART NO.	NEW PRODUCT CODE NO.	NAME	QTY.
1	301519	323-871-006	CLAMP & KNIFE ASSEMBLY	1
2	5525	323-600-442	SCREW	1
3	301521	323-683-030	CLAMP	1
4	301520	323-740-134	BRACKET	1
5	303977	323-640-114	SPRING	1
6	5526	323-630-053	NUT	1
7	303872	323-685-033	KNIFE HOLDER	1
8	5086	323-600-035	SCREW	1
9	5524	323-600-441	SCREW	1
10	5053	323-600-015	SCREW	1
11	303978	323-640-115	SPRING	1
12	303869	323-640-111	SPRING	1
13	303873	323-871-003	KNIFE	1
14	301522	323-871-007	CLAMP & KNIFE ASSEMBLY	1
15	301523	323-740-164	BRACKET	1
16	5142	323-600-054	SCREW	1
17	304008	323-871-008	CLAMP & KNIFE ASSEMBLY	1
18	5536	323-600-443	SCREW	1
19	304009	323-740-161	BRACKET	1
20	303979	323-640-116	SPRING	1
21	1175-2	323-600-002	SCREW	1
22	303894-FD	323-903-009	FINGER DRIVE MECHANISM	1
23	811035	323-795-008	SOLENOID	1
24	303895	323-740-187	BRACKET	1
25	5345	323-600-096	SCREW	2
26	303896	323-740-166	BRACKET	1
27	1216	323-600-068	SCREW	2
28	303897	323-530-112	LEVER	1
29	2193	323-600-271	SCREW	1
30	1170	323-600-226	SCREW	2
31	3091	323-630-003	NUT	2
32	303899	323-510-139	COVER	1
33	5293	323-600-357	SCREW	2

504-E52-180BT021.
 504-E56-180BT022.
 504-4-180BT024.



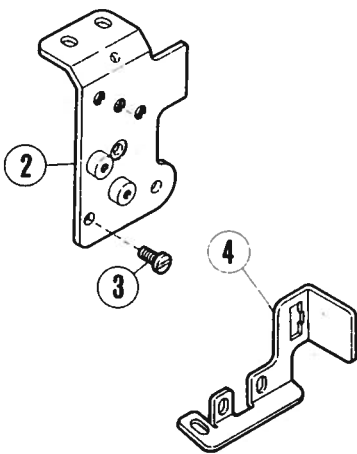
1

6

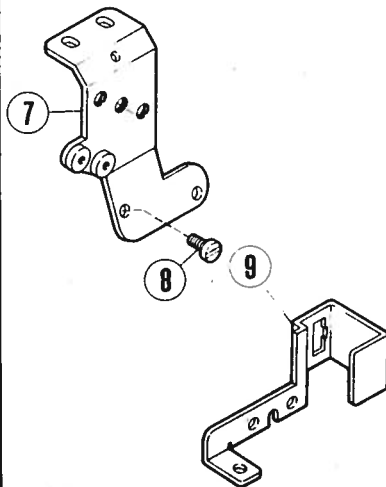
11

504-E52-180BT021.
 504-E56-180BT022.

5 REF. NO. 16-40

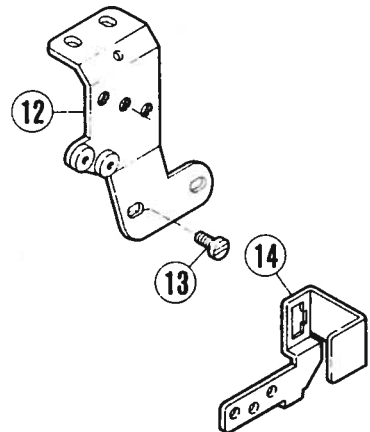


10 REF. NO. 16-40



504-4-180BT024.

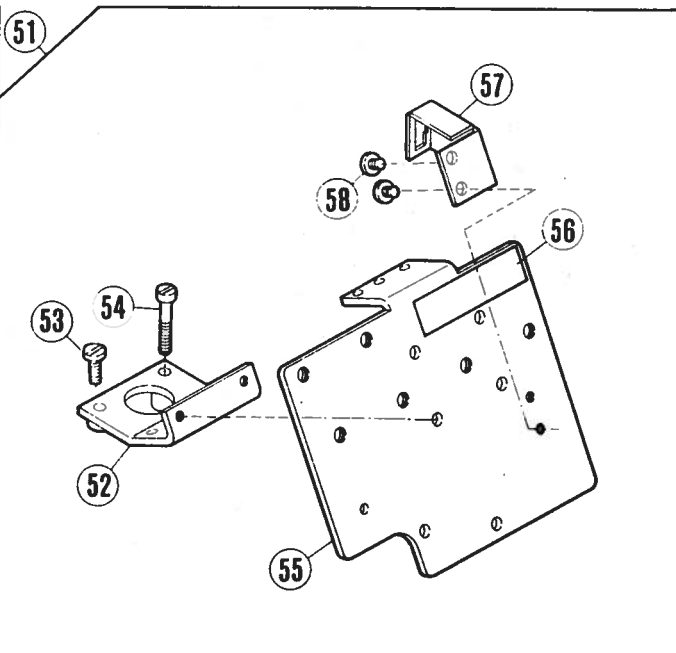
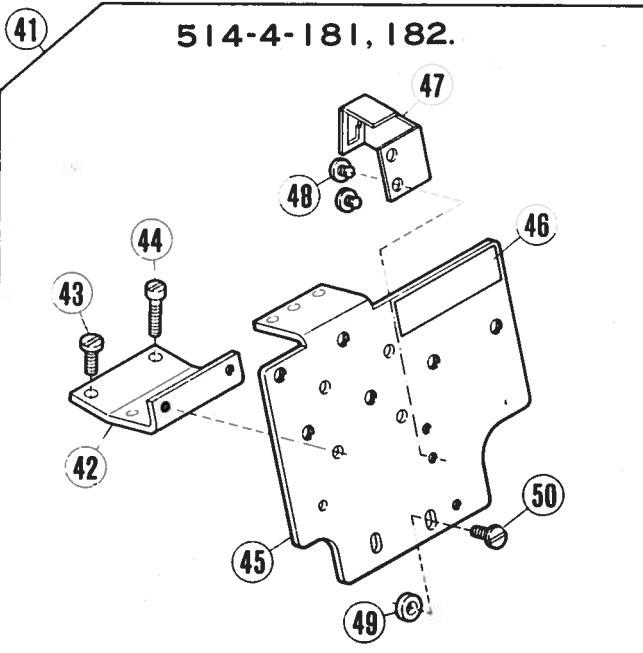
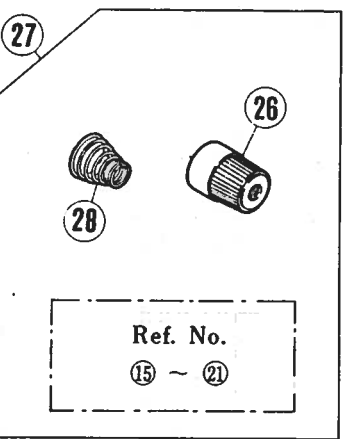
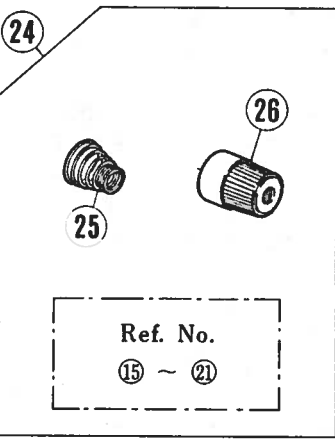
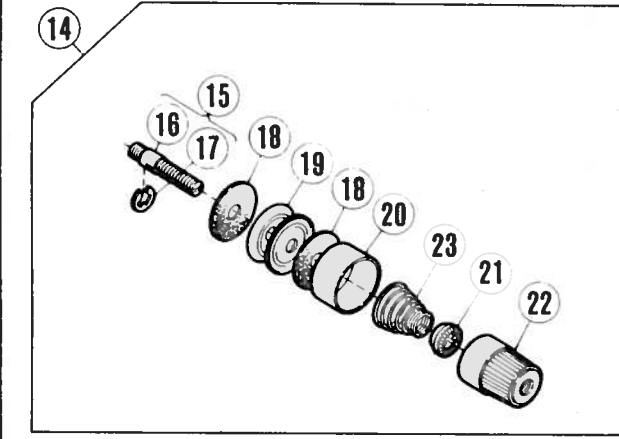
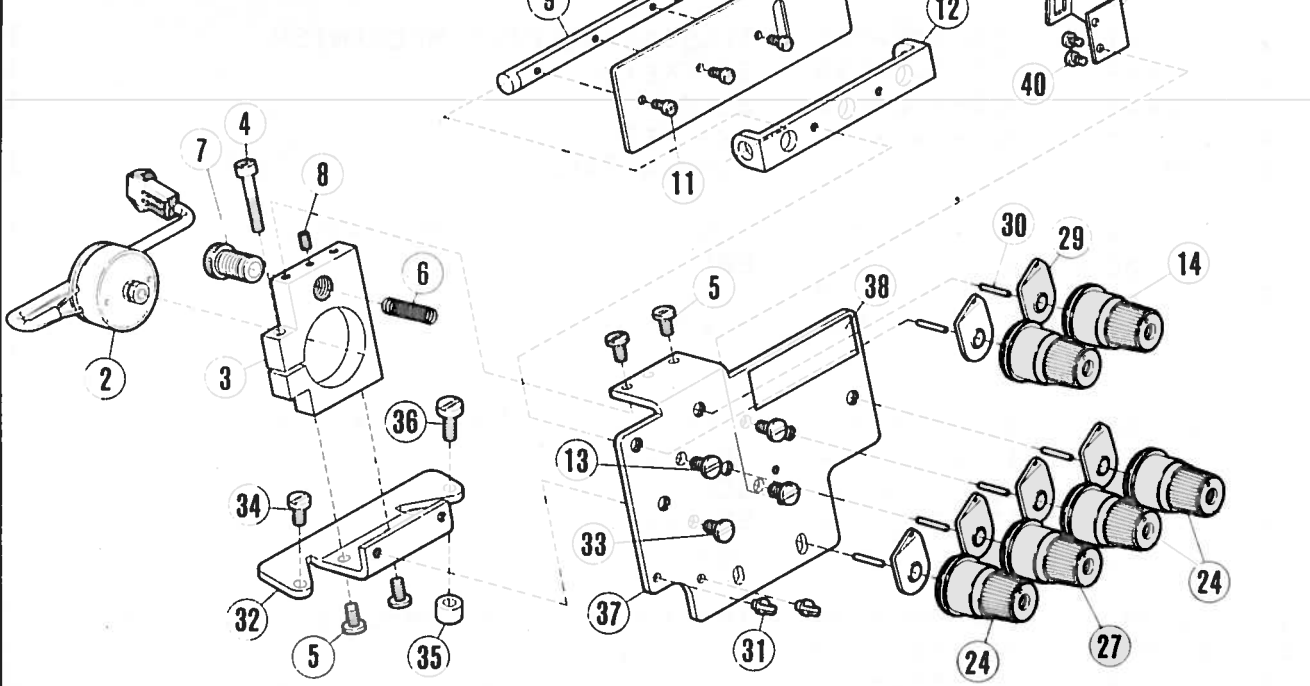
15 REF. NO. 16-40



TENSION CONTROL MECHANISM (I-NEEDLE MACHINES)

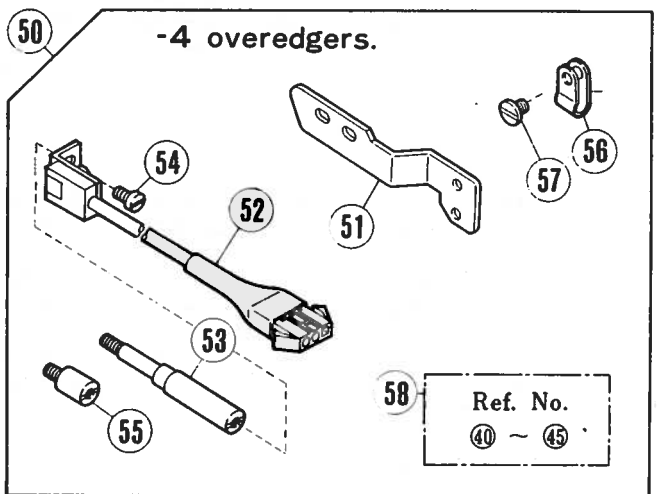
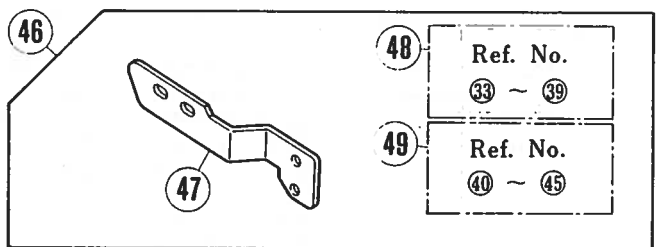
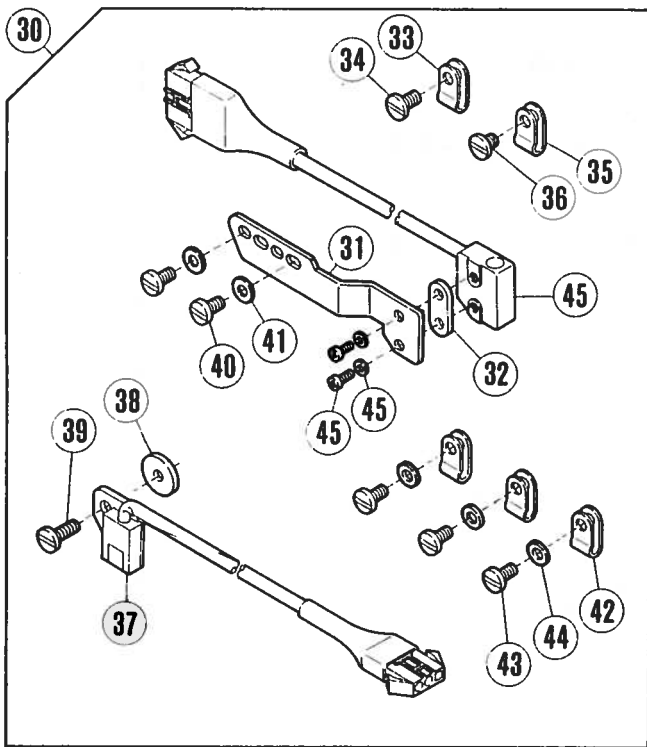
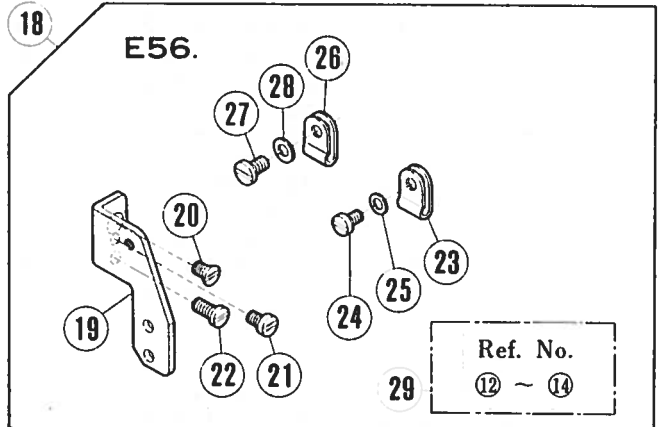
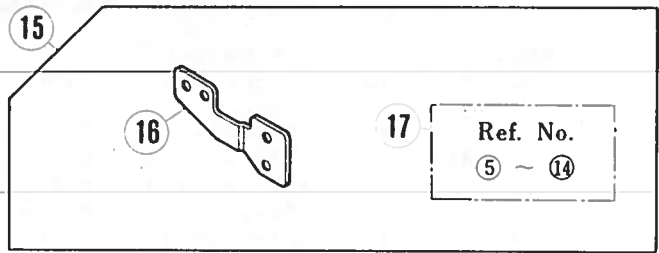
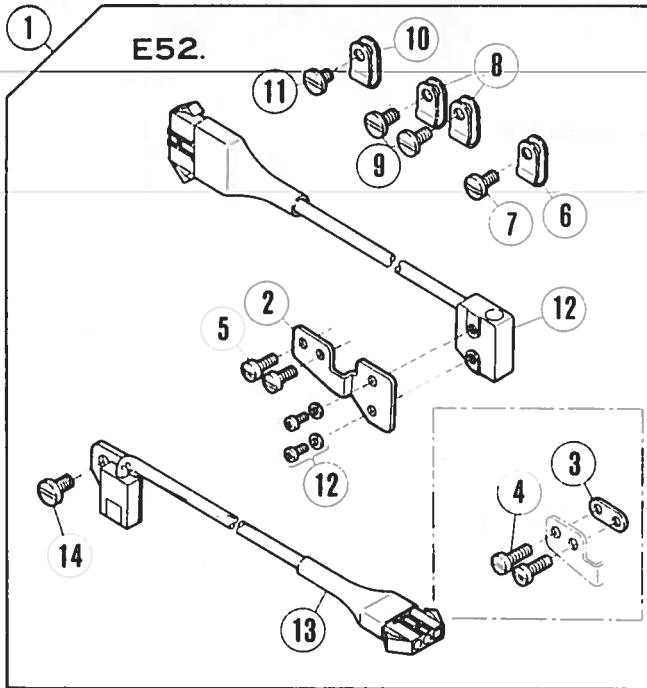
REF. NO.	PART NO.	NEW PRODUCT CODE NO.	NAME	@T.
1	301341	323-903-005	TENSION RELEASE MECHANISM	1
2	301343	323-740-135	BRACKET	1
3	5441	323-600-140	SCREW	1
4	301345	323-740-136	BRACKET	1
5	***		COMMON PARTS	1
6	303878	323-903-001	TENSION RELEASE MECHANISM	1
7	303880	323-740-162	BRACKET	1
8	5117	323-600-057	SCREW	1
9	303881	323-740-163	BRACKET	1
10	***		COMMON PARTS	1
11	303883	323-903-003	TENSION RELEASE MECHANISM	1
12	303663	323-740-154	BRACKET	1
13	5117	323-600-057	SCREW	1
14	303903	323-740-188	BRACKET	1
15	***		COMMON PARTS	1
16	301342	323-900-104	THREAD TENSION COMPLETE	1
17	208447	323-630-033	POST NUT	1
18	208448	323-676-047	SPRING BUSHING	1
19	201037	323-642-001	TENSION SPRING	1
20	306359	323-780-026	CUP	1
21	210319	323-613-002	THREAD TENSION DISC	2
22	208449	323-650-001	FELT	1
23	201553A	323-607-005	TENSION POST	1
24	200983	323-633-012	RING	1
25	303662	323-850-093	GUIDE	1
26	306302	325-620-041	PIN	1
27	306329	323-630-045	NUT	2
28	301344	323-640-107	SPRING	1
29	137108	323-613-200	TENSION DISC	2
30	306328	325-607-012	POST	1
31	5477	323-600-440	SCREW	1
32	200555	323-634-004	RETAINING RING	1
33	811034	323-795-007	SOLENOID	1
34	303902	323-740-167	BRACKET	1
35	5094	323-600-072	SCREW	1
36	4803	323-630-040	NUT	2
37	303660	323-640-110	SPRING	1
38	303661	323-510-136	COVER	1
39	5117	323-600-057	SCREW	3
40	5453	323-600-400	SCREW	2

① 514-E52-181, 182.



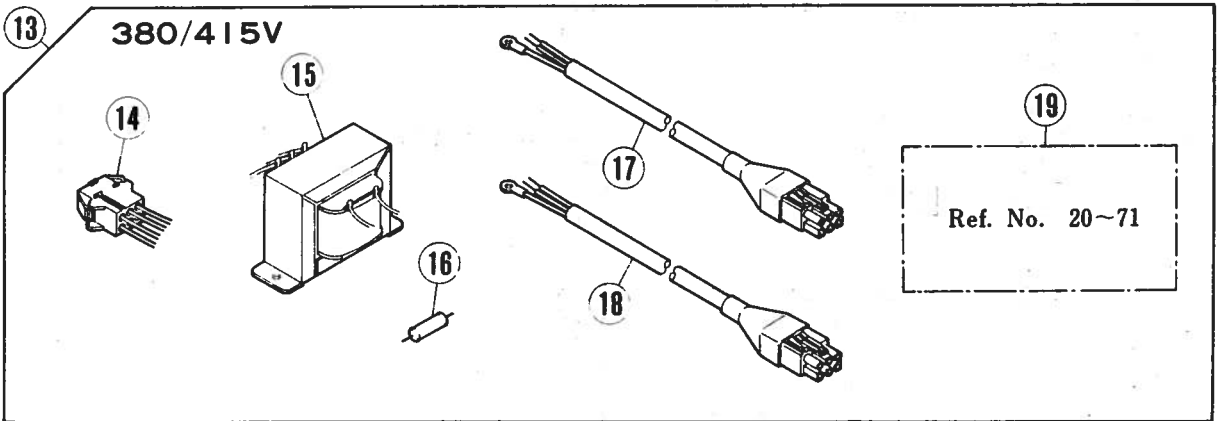
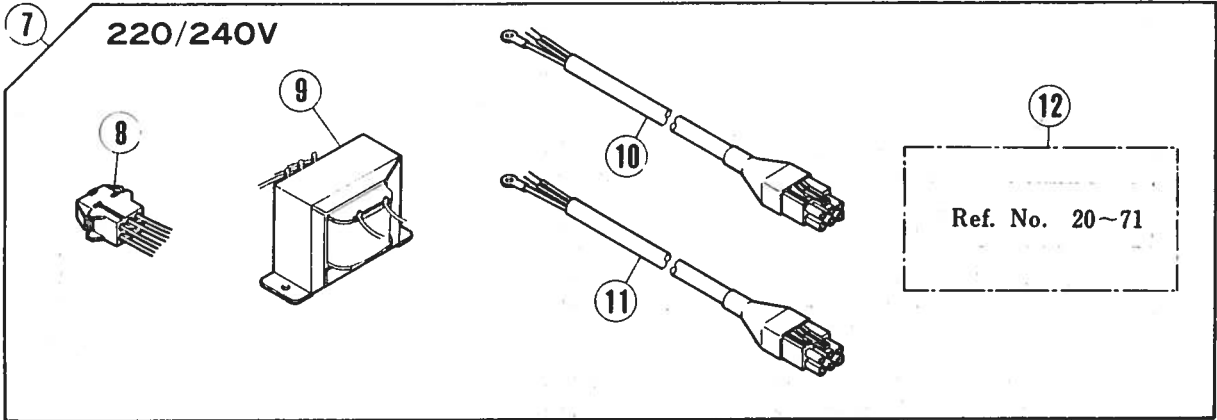
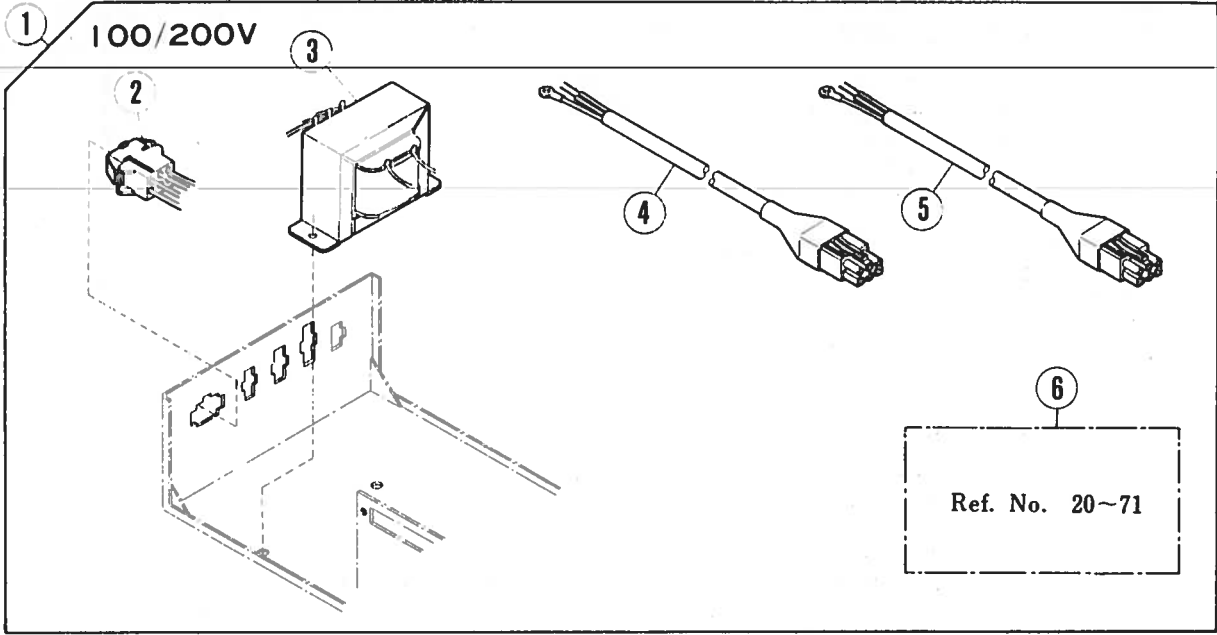
TENSION CONTROL MECHANISM (2-NEEDLE MACHINES)

REF. NO.	PART NO.	NEW PRODUCT CODE NO.	NAME	QT.
1	301503	323-903-008	TENSION RELEASER	1
2	811036	323-795-012	SOLENOID	1
3	303929	323-740-168	BRACKET	1
4	5094	323-600-072	SCREW	1
5	4009-1	323-600-014	SCREW	4
6	303930	323-640-112	SPRING	1
7	303931	323-600-415	SCREW	1
8	5427	323-600-406	SCREW	1
9	303927	323-604-025	STUD	1
10	301505	323-800-118	PLATE	1
11	1196	323-600-029	SCREW	3
12	303928	323-740-189	BRACKET	1
13	4009-1	323-600-014	SCREW	6
14	301529	323-900-105	THREAD TENSION COMPLETE	2
15	306306	323-607-006	POST COMPLETE	1
16	201553A	323-607-005	POST	1
17	200983	323-633-012	RING	1
18	208449	323-650-001	FELT	4
19	210319	323-613-002	DISC	2
20	306359	323-780-026	CUP	1
21	208448	323-676-047	SPRING BUSHING	1
22	208447	323-630-033	NUT	1
23	201037	323-642-001	SPRING	1
24	301530	323-900-106	THREAD TENSION COMPLETE	3
25	201086	323-642-003	SPRING	1
26	301533	323-630-054	NUT	1
27	301531	323-900-107	THREAD TENSION COMPLETE	1
28	201068	323-642-002	SPRING	1
29	301526	323-620-115	PIN	6
30	303662	323-850-093	BRACKET	6
31	303664	323-851-057	THREAD GUIDE	2
32	301389	323-740-184	BRACKET	1
33	4009-1	323-600-014	SCREW	2
34	5117	323-600-057	SCREW	1
35	301390	323-646-015	SPACER	1
36	2903	323-600-216	SCREW	1
37	301504	323-740-185	BRACKET	1
38	301532	323-692-130	NAME PLATE	1
39	301388	323-740-183	BRACKET/CONNECTOR	1
40	1229	323-600-016	SCREW	2
41	304012	323-903-011	TENSION RELEASER	1
42	304015	323-740-195	BRACKET	1
43	5095	323-600-038	SCREW	1
44	5118	323-600-060	SCREW	1
45	304013	323-740-193	BRACKET	1
46	304021	323-692-132	NAME PLATE	1
47	304014	323-740-194	BRACKET	1
48	2905	323-600-074	SCREW	2
49	304022	323-646-017	SPACER	1
50	5345	323-600-096	SCREW	1
51	304010	323-903-010	TENSION RELEASER	1
52	303933	323-740-191	BRACKET	1
53	5095	323-600-038	SCREW	1
54	5094	323-600-072	SCREW	1
55	304011	323-740-192	BRACKET	1
56	304016	323-692-131	NAME PLATE	1
57	303932	323-740-190	BRACKET	1
58	2905	323-600-074	SCREW	2



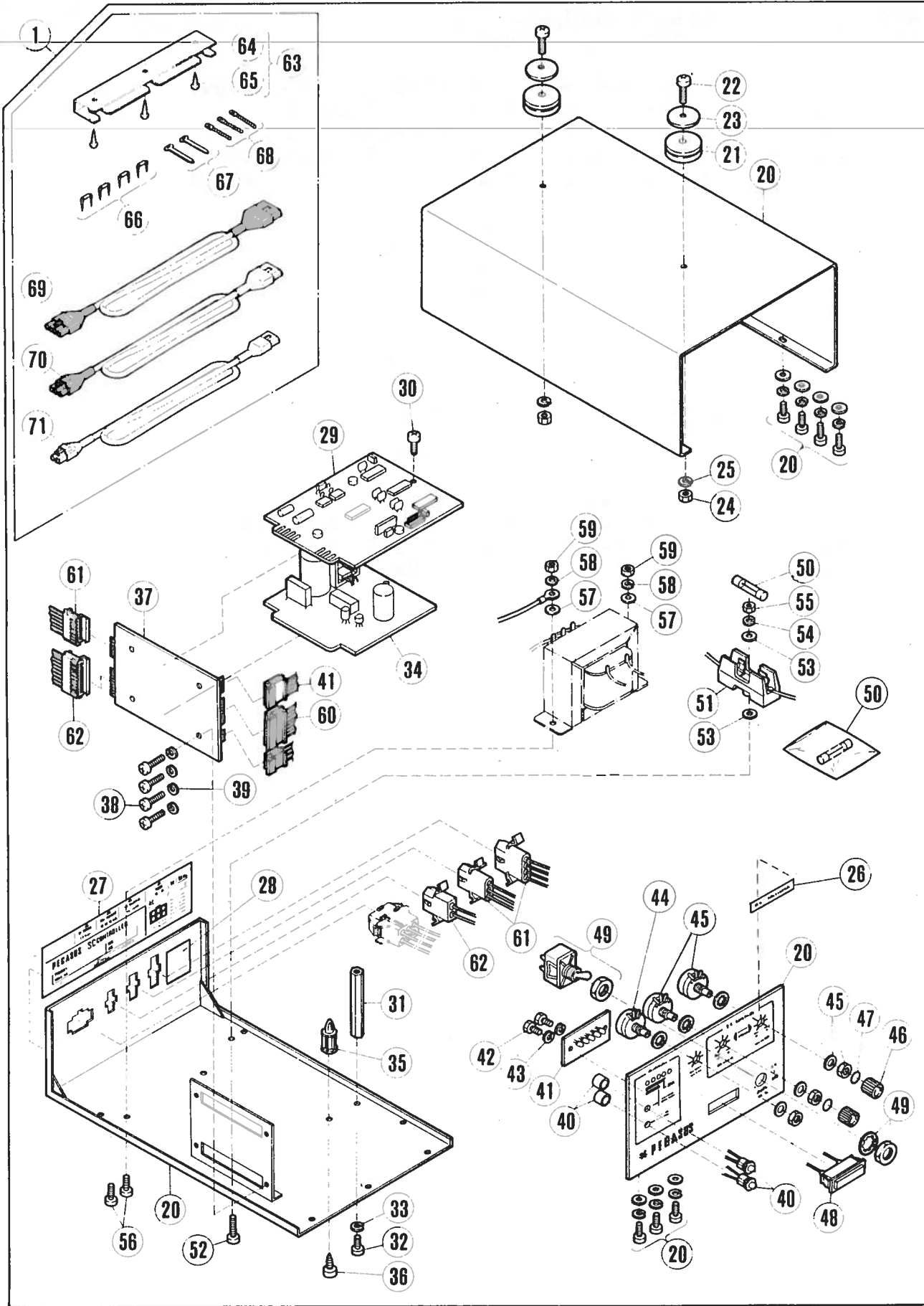
SENSOR MECHANISM

REF. NO.	PART NO.	NEW PRODUCT CODE NO.	NAME	QT.
1	301408	323-971-003	SENSOR SET	1
2	301410	323-740-144	BRACKET	1
3	301412	323-646-008	SPACER	1
4	1175-2	323-600-002	SCREW	1
5	1202	323-600-032	SCREW	2
6	748005	323-550-011	CLAMP	1
7	1216	323-600-068	SCREW	1
8	748005	323-550-011	CLAMP	2
9	4009-1	323-600-014	SCREW	2
10	748005	323-550-011	CLAMP	1
11	2905	323-600-074	SCREW	1
12	712003	323-971-011	CP SENSOR	1
13	716007	323-972-003	REVOLUTION DETECTOR	1
14	4009-1	323-600-014	SCREW	1
15	301409	323-971-004	SENSOR SET	1
16	301411	323-740-145	BRACKET	1
17	***		COMMON PARTS/E32,E52	1
18	301361	323-971-001	SENSOR SET	1
19	301362	323-740-137	BRACKET	1
20	3001	323-600-059	SCREW	1
21	1216	323-600-068	SCREW	1
22	5441	323-600-140	STOP SCREW	1
23	748005	323-550-011	CLAMP	1
24	1216	323-600-068	SCREW	1
25	200821	323-615-013	WASHER	1
26	748005	323-550-011	CLAMP	1
27	4009-1	323-600-014	SCREW	1
28	303448	323-615-065	WASHER	1
29	***		COMMON PARTS/E	1
30	303783	323-971-006	SENSOR SET	1
31	303677	323-740-155	BRACKET	1
32	301183	323-646-007	SPACER	1
33	748005	323-550-011	CLAMP	1
34	4009-1	323-600-014	SCREW	1
35	748005	323-550-011	CLAMP	1
36	2905	323-600-074	SCREW	1
37	716007	323-972-003	REVOLUTION DETECTOR	1
38	704107	323-646-018	SPACER	1
39	5345	323-600-096	SCREW	1
40	1216	323-600-068	SCREW	2
41	303448	323-615-065	WASHER	2
42	748005	323-550-011	CLAMP	3
43	1202	323-600-032	SCREW	3
44	303448	323-615-065	WASHER	3
45	712003	323-971-011	CP SENSOR	1
46	303782	323-971-005	SENSOR SET	1
47	303678	323-740-156	BRACKET	1
48	***		COMMON PARTS	1
49	***		COMMON PARTS	1
50	303822	323-971-007	SENSOR SET	1
51	303678	323-740-156	BRACKET	1
52	716008	323-972-004	REVOLUTION DETECTOR	1
53	303337	323-604-023	STUD (LONG)	1
54	5328	323-600-092	SCREW	1
55	303353	323-604-024	STUD (SHORT)	1
56	748006	323-550-012	CLAMP	1
57	2905	323-600-074	SCREW	1
58	***		COMMON PARTS	1
59	303822	323-971-007	SENSOR SET	1
60	303678	323-740-156	BRACKET	1
61	***		COMMON PARTS	1
62	***		COMMON PARTS	1



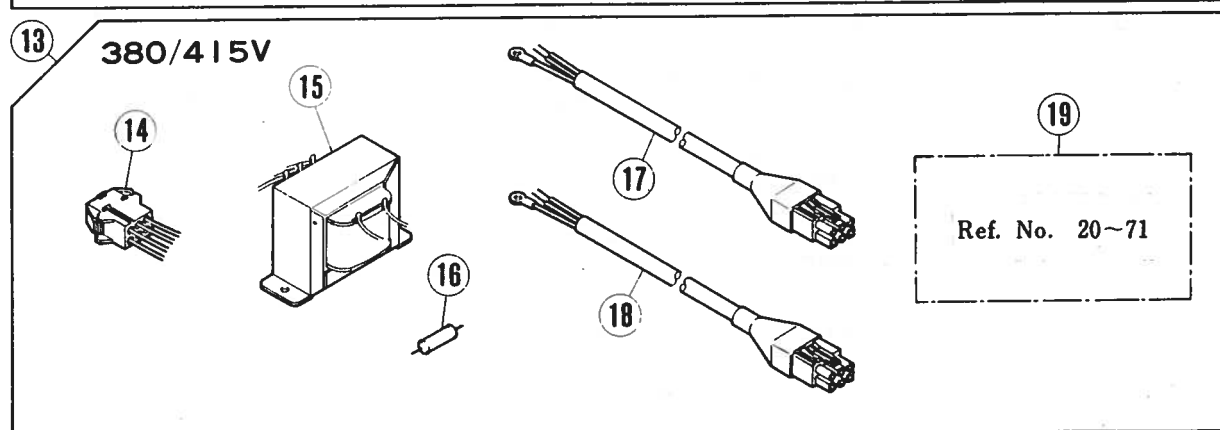
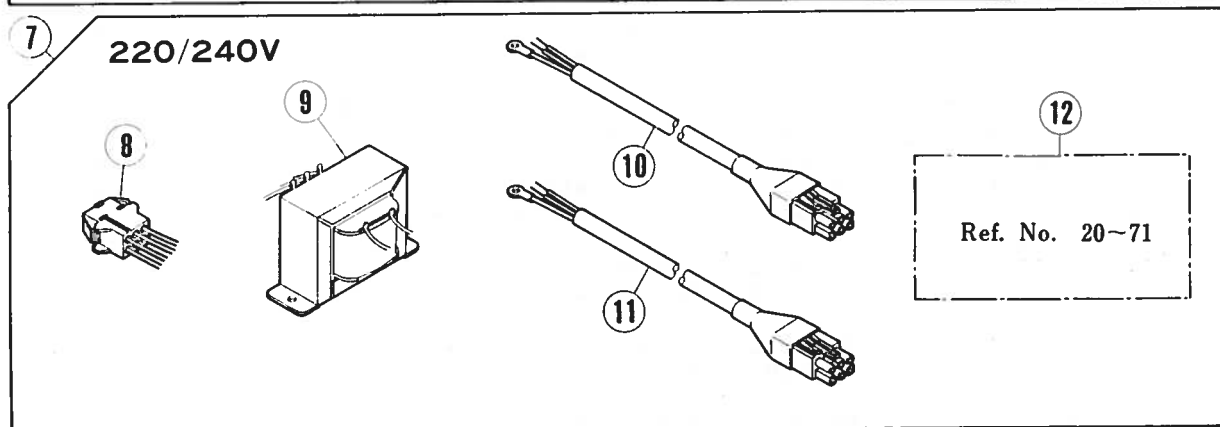
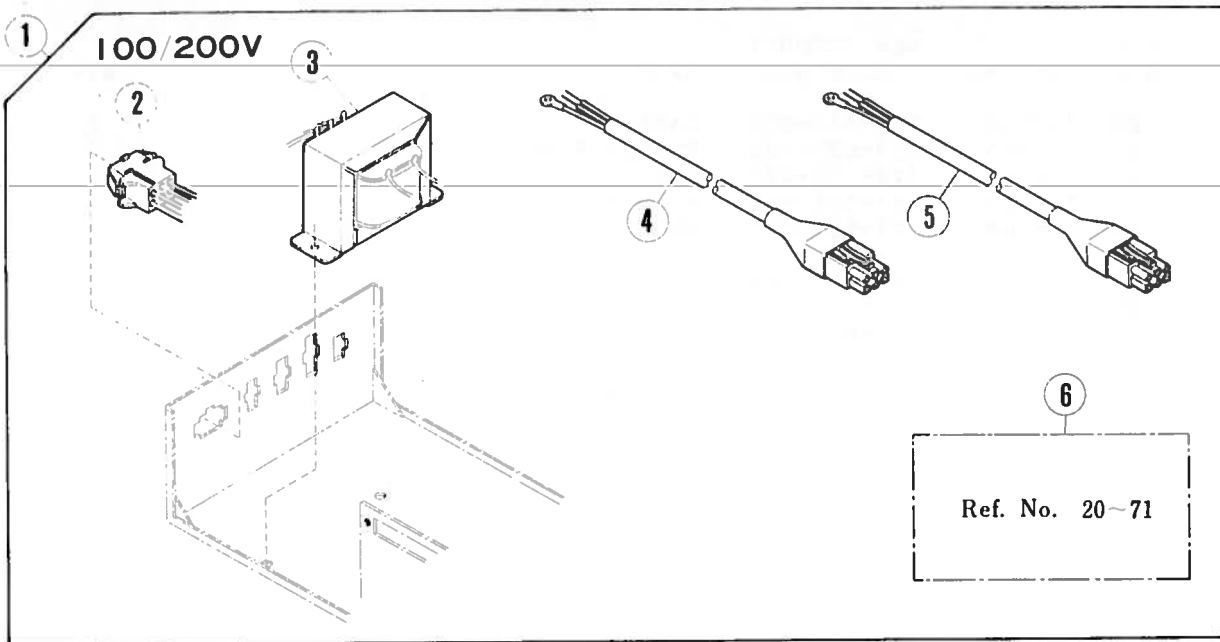
SC CONTROLLER(1)

REF. NO.	PART NO.	NEW PRODUCT CODE-NO.	NAME	QT.
1	760052	323-516-004	SC CONTROLLER (100,200V)	1
2	742085	323-537-038	POWER INPUT CABLE	1
3	791009	323-796-008	TRANSFORMER/SC-01	1
4	742076	323-537-031	POWER INPUT CABLE (100V)	1
5	742075	323-537-030	POWER INPUT CABLE (200V)	1
6	***		COMMON PARTS	1
7	760053	323-516-005	SC CONTROLLER (220,240V)	1
8	742086	323-537-039	POWER INPUT CABLE	1
9	791014	323-796-009	TRANSFORMER/SC-02	1
10	742077	323-537-032	POWER SOURCE CORD (220V)	1
11	742078	323-537-033	POWER SOURCE CORD (240V)	1
12	***		COMMON PARTS	1
13	760054	323-516-006	SC CONTROLLER (380,415V)	1
14	742107	323-537-059	POWER INPUT CABLE	1
15	791015	323-796-010	TRANSFORMER/SC-03	1
16	741002	323-961-004	RESISTOR	1
17	742087	323-537-040	POWER SOURCE CORD (380V)	1
18	742088	323-537-041	POWER SOURCE CORD (415V)	1
19	***		COMMON PARTS	1



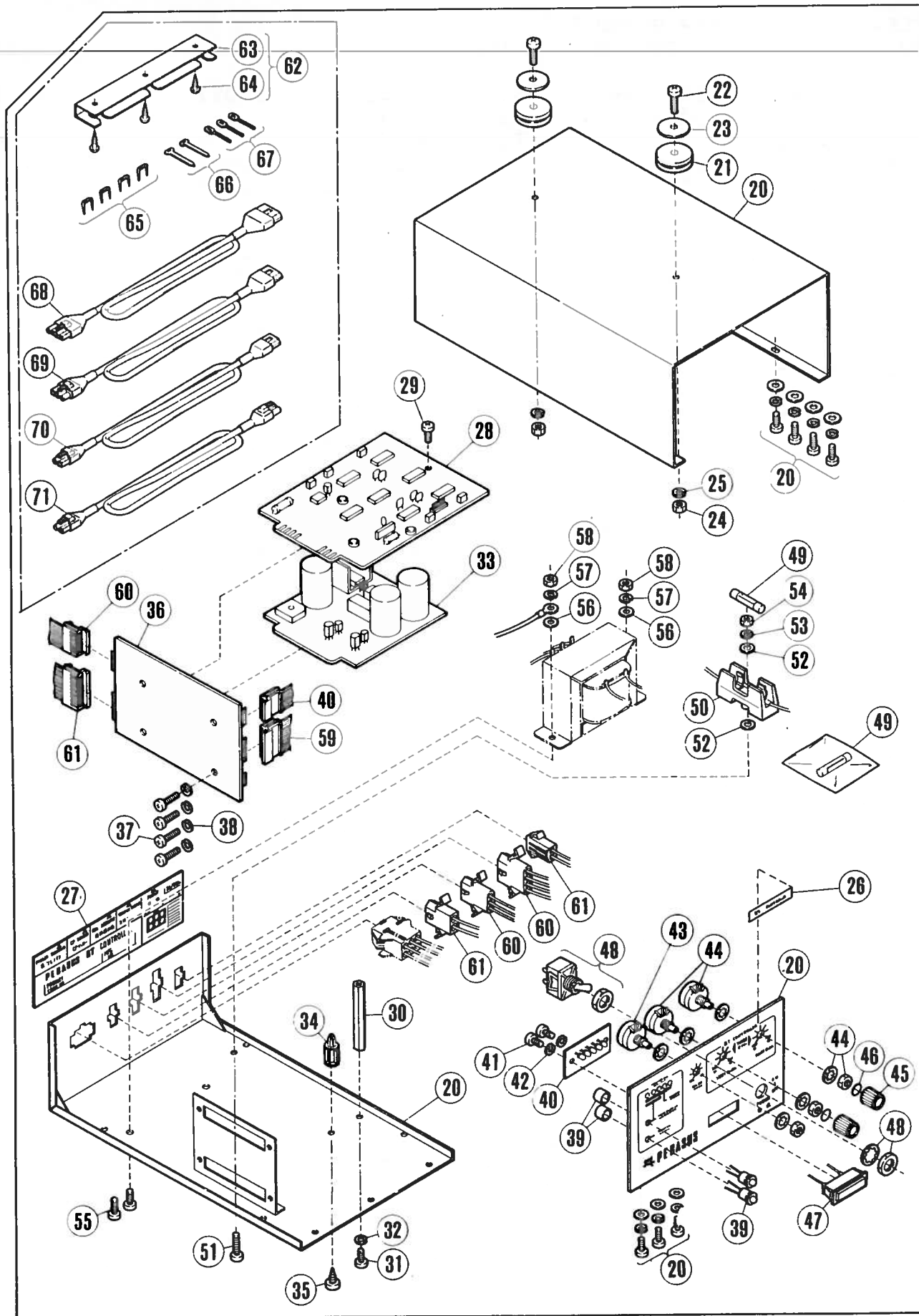
SC CONTROLLER(2)

REF. NO.	PART NO.	NEW PRODUCT CODE NO.	NAME	QT.
20	760090	323-516-007	CASE	1
21	202013	323-627-201	RUBBER PLUG	2
22	4107	323-600-422	SCREW	2
23	303026	323-615-064	WASHER	2
24	4802	323-630-047	NUT	2
25	300291	323-616-005	SPRING WASHER	2
26	301357	323-692-115	NAME PLATE (SC)	1
27	301360	323-891-008	INDICATOR	1
28	303425	323-690-003	SEAL	1
29	745035	323-951-007	CONTROL BOARD	1
30	4100	323-600-418	SCREW	1
31	303721	323-646-009	SPACER	1
32	4119	323-600-429	SCREW	1
33	204586	323-616-007	SPRING WASHER	1
34	745034	323-951-006	POWER CONTROL BOARD	1
35	748010	323-756-014	TAPPING SUPPORT	1
36	4118	323-600-428	SCREW	1
37	745032	323-951-005	MOTHER BOARD	1
38	4104	323-600-419	SCREW	4
39	204586	323-616-007	SPRING WASHER	4
40	785001	323-707-001	LIGHT EMITTING DIODE LAMP	2
41	745039	323-891-007	INDICATOR ASSEMBLY	1
42	4106	323-600-421	SCREW	2
43	204586	323-616-007	SPRING WASHER	2
44	850004	323-961-001	VARIABLE RESISTOR	1
45	850006	323-961-002	VARIABLE RESISTOR	2
46	750008	323-716-023	REGULATOR	2
47	303865	323-632-006	O RING	2
48	783001	323-740-176	NEON LAMP BRACKET	1
49	701003	323-954-005	MAIN SWITCH	1
50	771003	323-960-001	FUSE (1A)	2
51	772002	323-685-035	FUSE HOLDER	1
52	4105	323-600-420	SCREW	1
53	303550	323-615-066	WASHER	2
54	204586	323-616-007	SPRING WASHER	1
55	4800	323-630-046	NUT	1
56	4110	323-600-425	SCREW	2
57	303448	323-615-065	WASHER	2
58	300291	323-616-005	SPRING WASHER	2
59	4803	323-630-040	NUT	2
60	742102	323-537-054	LED VOLUME CABLE	1
61	742104	323-537-056	CP SENSOR CABLE	1
62	742122	323-537-069	SOLENOID OUTPUT CABLE	1
63	303500	323-741-001	BRACKET ASSEMBLY	1
64	303499	323-740-153	BRACKET	1
65	4911	323-600-435	SCREW	3
66	748007	323-536-001	STAPLE	4
67	748002	323-550-008	BAND	2
68	748004	323-550-010	BAND	3
69	742094	323-537-047	EXTENSION CORD/CP	1
70	742095	323-537-048	EXTENSION CORD/REVOLUTION	1
71	742096	323-537-049	EXTENSION CORD/TENSION RELEASE	1



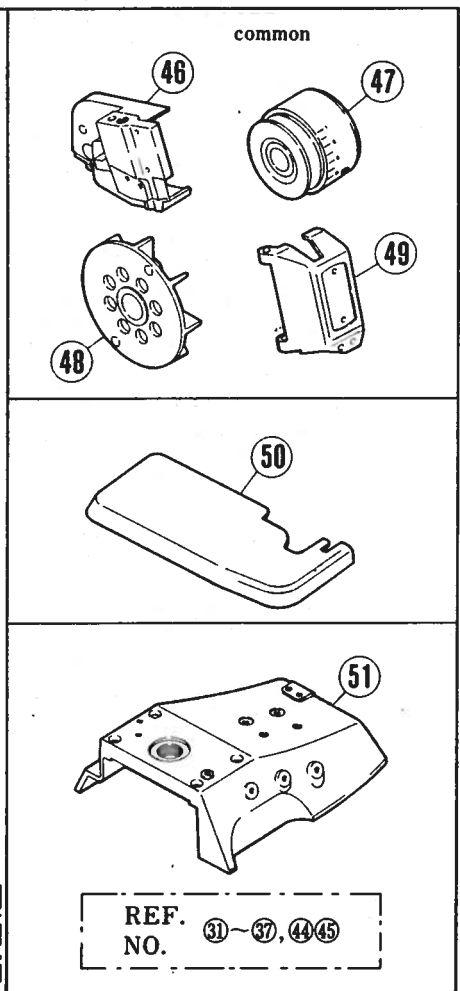
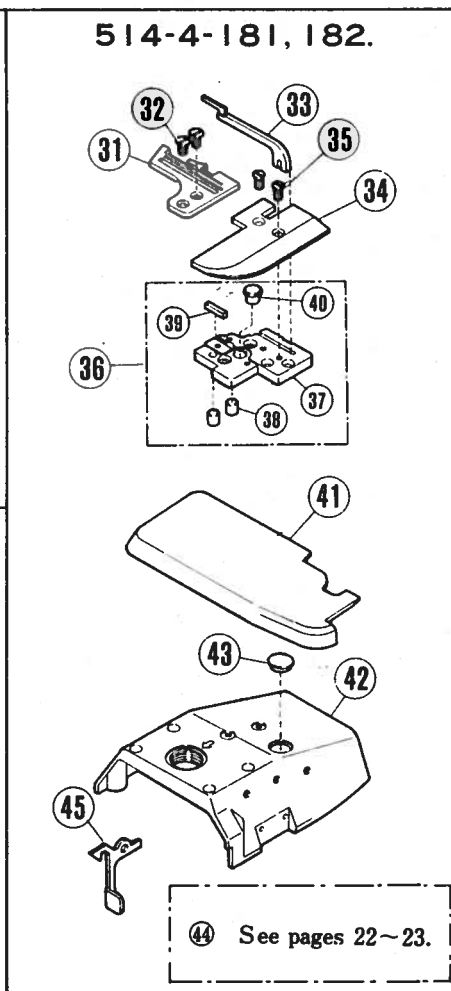
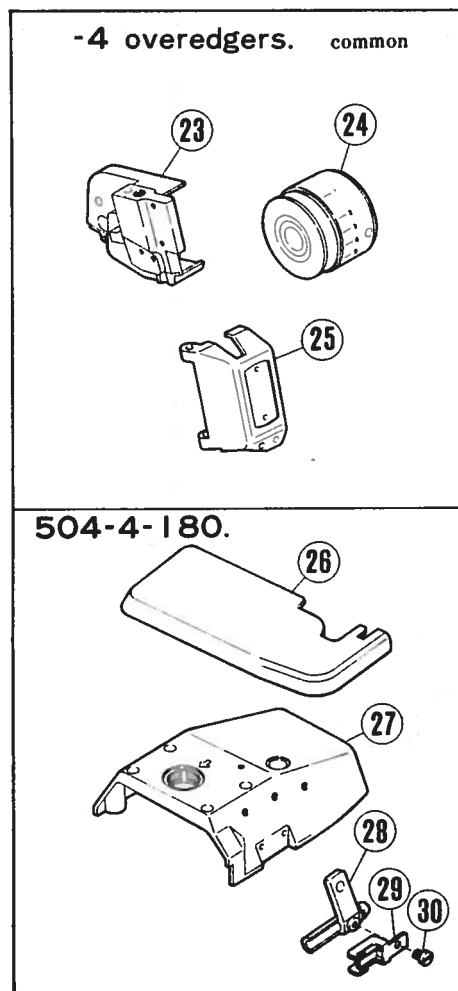
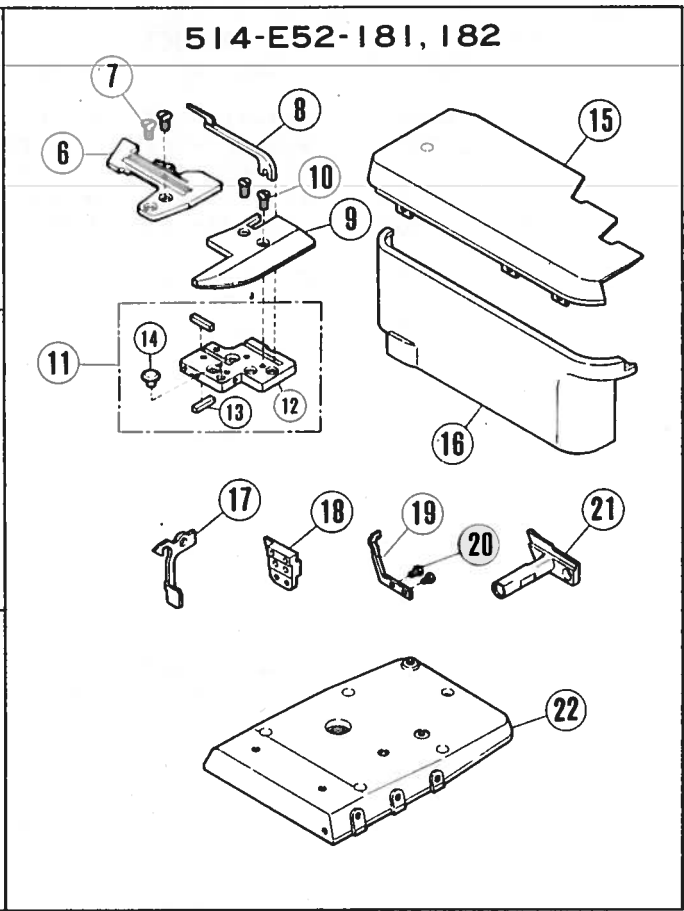
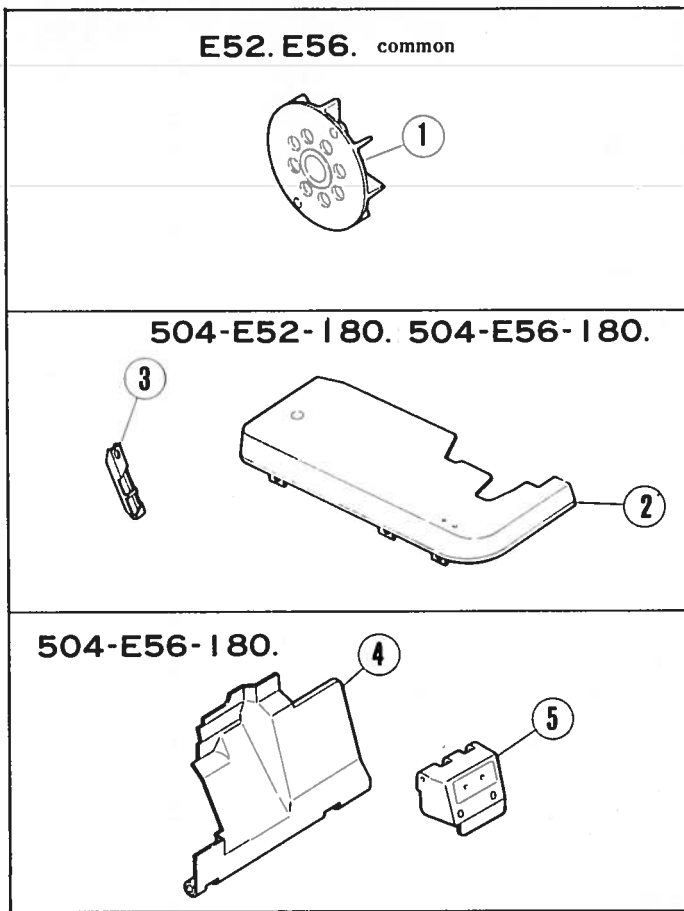
BT CONTROLLER(1)

REF. NO.	PART NO.	NEW PRODUCT CODE NO.	NAME	QT.
1	760092	323-516-008	BT CONTROLLER (100/200V)	1
2	742085	323-537-038	POWER INPUT CABLE	1
3	791016	323-796-011	TRANSFORMER/BT01	1
4	742075	323-537-030	POWER SOURCE CORD (200V)	1
5	742076	323-537-031	POWER SOURCE CORD (100V)	1
6	***		COMMON PARTS	1
7	760093	323-516-009	BT CONTROLLER (220/240V)	1
8	742086	323-537-039	POWER INPUT CABLE	1
9	791017	323-796-012	TRANSFORMER/BT02	1
10	742077	323-537-032	POWER SOURCE CORD (220V)	1
11	742078	323-537-033	POWER SOURCE CORD (240V)	1
12	***		COMMON PARTS	1
13	760094	323-516-010	BT CONTROLLER (380/415V)	1
14	742107	323-537-059	POWER INPUT CABLE	1
15	791018	323-796-013	TRANSFORMER/BT03	1
16	841002	323-961-005	RESISTOR	1
17	742087	323-537-040	POWER SOURCE CORD (380V)	1
18	742088	323-537-041	POWER SOURCE CORD (415V)	1
19	***		COMMON PARTS	1



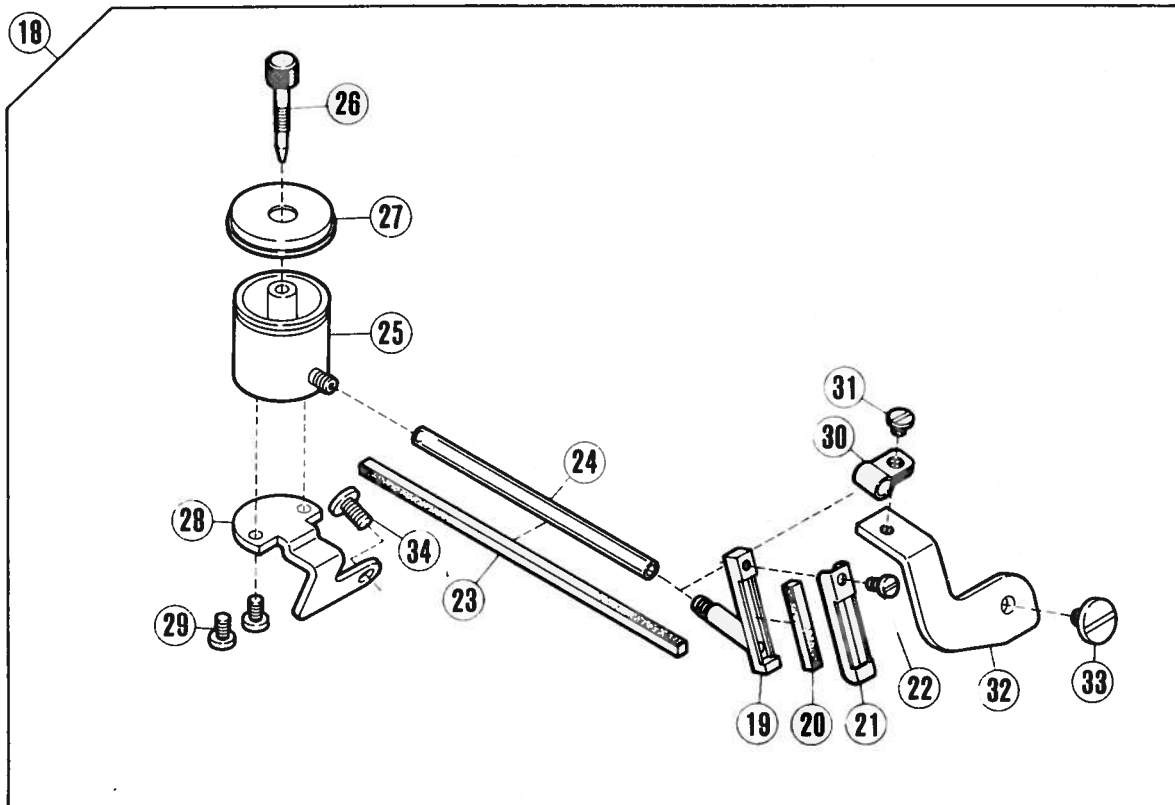
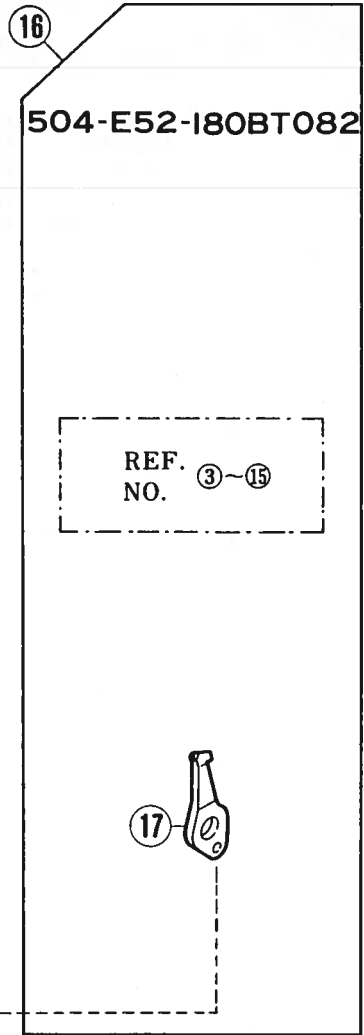
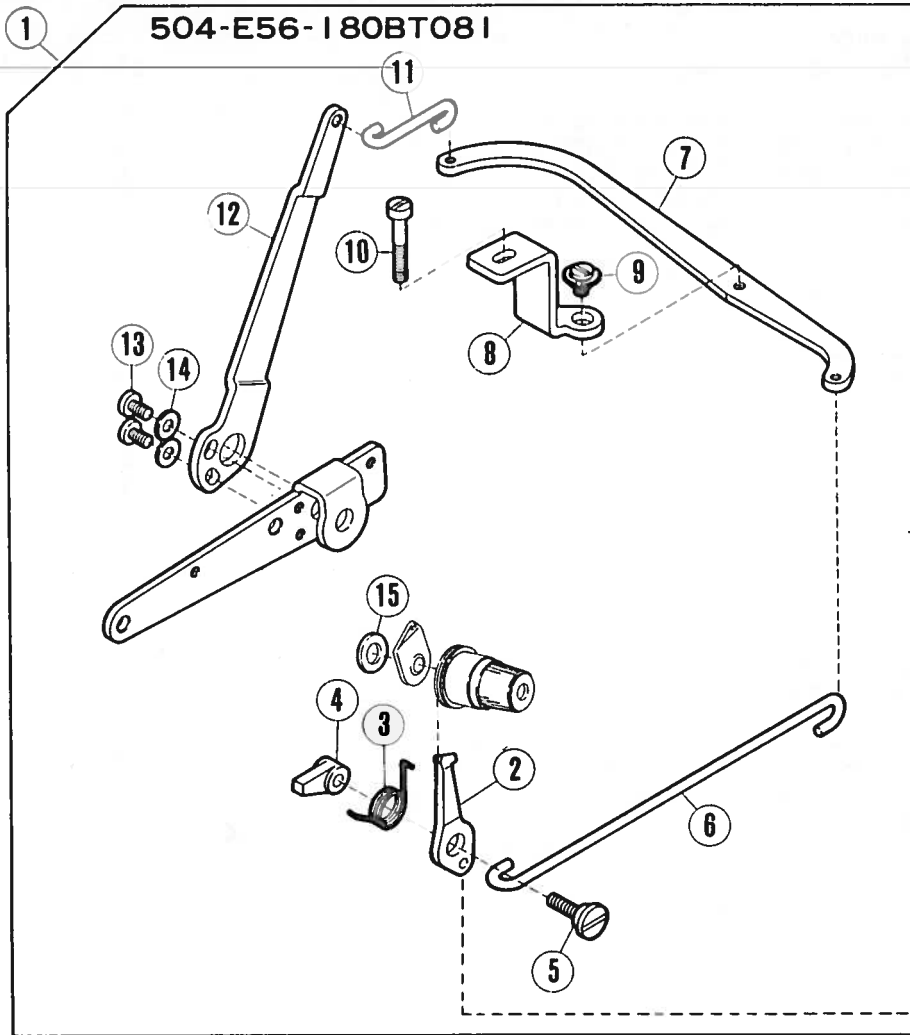
BT CONTROLLER(2)

REF. NO.	PART NO.	NEW PRODUCT CODE NO.	NAME	QT.
20	760090	323-516-007	CASE	1
21	202013	323-627-201	RUBBER PLUG	2
22	4107	323-600-422	SCREW	2
23	303026	323-615-064	WASHER	2
24	4802	323-630-047	NUT	2
25	300291	323-616-005	SPRING WASHER	2
26	301356	323-692-114	NAME PLATE (BT)	1
27	301359	323-800-117	INDICATION PLATE	1
28	745041	323-951-009	CONTROL BOARD	1
29	4100	323-600-418	SCREW	1
30	303721	323-646-009	SPACER	1
31	4119	323-600-429	SCREW	1
32	204586	323-616-007	SPRING WASHER	1
33	745040	323-951-008	POWER CONTROL BOARD	1
34	748011	323-756-013	TAPPING SUPPORT	1
35	4118	323-600-428	SCREW	1
36	745032	323-951-005	MOTHER BOARD	1
37	4104	323-600-419	SCREW	4
38	204586	323-616-007	SPRING WASHER	4
39	785001	323-707-001	LAMP EMITTING DIODE LAMP	2
40	745039	323-891-007	INDICATOR ASSEMBLY	1
41	4106	323-600-421	SCREW	2
42	204586	323-616-007	SPRING WASHER	2
43	850004	323-961-001	VARIABLE RESISTOR	1
44	850007	323-961-003	VARIABLE RESISTOR	2
45	750008	323-716-023	REGULATOR	2
46	303865	323-632-006	O RING	2
47	783001	323-740-176	NEON LAMP BRACKET	1
48	701003	323-954-005	MAIN SWITCH	1
49	771003	323-960-001	FUSE (1A)	1
50	772002	323-685-035	FUSE HOLDER	1
51	4105	323-600-420	SCREW	1
52	303550	323-615-066	WASHER	2
53	204586	323-616-007	SPRING WASHER	1
54	4800	323-630-046	NUT	1
55	4122	323-600-430	SCREW	2
56	303448	323-615-065	WASHER	2
57	300291	323-616-005	SPRING WASHER	2
58	4803	323-630-040	NUT	2
59	742102	323-537-054	LED VOLUME CABLE	1
60	742104	323-537-056	CP SENSOR CABLE	1
61	742105	323-537-057	SOLENOID OUTPUT CABLE	1
62	303500	323-741-001	BRACKET ASSEMBLY	1
63	303499	323-740-153	BRACKET	1
64	4911	323-600-435	SCREW	1
65	748007	323-536-001	STAPLE	4
66	748002	323-550-008	BAND	2
67	748004	323-550-010	BAND	3
68	742094	323-537-047	EXTENSION CORD/CP	1
69	742095	323-537-048	EXTENSION CORD/REVOLUTION	1
70	742108	323-537-060	EXTENSION CORD/FINGER DRIVE	1
71	742096	323-537-049	EXTENSION CORD/TENSION RELEASE	1



SPECIFIC MACHINE PARTS FOR BT DEVICE

REF. NO.	PART NO.	NEW PRODUCT CODE NO.	NAME	QT.
1	301349	323-568-007	FAN ASSEMBLY	1
2	301338	323-802-033	CLOTH PLATE	1
3	301363	323-851-056	THREAD GUIDE	1
4	210225	323-510-112	FRONT COVER	1
5	301350-HB	323-510-130	NEEDLE THREAD COVER	1
6			NEEDLE PLATE	1
7	5484	323-600-384	SCREW	2
8	301509	323-685-036	RETRACTABLE FINGER	1
9	301365	323-800-106	SUB-PLATE	1
10	5107	323-600-128	SCREW	2
11	301366	323-740-138	BRACKET ASSEMBLY	1
12	301367	323-740-182	BRACKET	1
13	210073	323-649-006	KEY	2
14	210025	323-627-023	CUSHION RUBBER	1
15	301368	323-802-034	CLOTH PLATE	1
16	301376	323-510-153	SIDE COVER	1
17	301370	323-734-008	LATCH	1
18	301371	323-740-139	BRACKET	1
19	301373	323-561-056	NEEDLE GUARD	1
20	5492	323-600-390	SCREW	2
21	301374	323-530-106	LOWER KNIFE HOLDER	1
22	301382-HD	323-510-132	TOP COVER	1
23	303424-FD	323-500-028	MACHINE ARM (LEFT)	1
24	303861-HD	323-546-012	PULLEY	1
25	303812-HD	323-510-138	NEEDLE BAR COVER	1
26	303874	323-802-047	CLOTH PLATE	1
27	303709-HD	323-510-137	TOP COVER	1
28	303707	323-639-055	PIPE/SILICONE OIL	1
29	303708	323-800-108	SPACER	1
30	5077	323-600-307	SCREW	1
31	XXXXXX		NEEDLE PLATE (See page 3)	1
32	4009-1	323-600-014	SCREW	2
33	304007	323-863-058	RETRACTABLE FINGER	1
34	303901	323-800-110	SUB-PLATE	1
35	5107	323-600-128	SCREW	2
36	303888	323-741-002	BRACKET ASSEMBLY	1
37	303889	323-740-186	BRACKET	1
38	303890	323-620-112	PIN	2
39	210073	323-649-006	KEY	1
40	204749	323-627-005	CUSHION RUBBER	1
41	303891	323-802-048	CLOTH PLATE	1
42	304017-HD	323-510-154	TOP COVER	1
43	208339	323-627-019	PLUG	1
44	204020	323-671-202	THREAD LUBRICATOR	1
45	303893	323-734-009	LATCH	1
46	303424-HD	323-500-029	MACHINE ARM (LEFT)	1
47	303859-HD	323-546-011	PULLEY	1
48	303730	323-568-009	FAN ASSEMBLY	1
49	303812-HD	323-510-138	NEEDLE THREAD COVER	1
50	303874	323-802-047	CLOTH PLATE	1
51	303914-HD	323-510-140	TOP COVER	1



MECHANICAL TENSION CONTROLLER

REF. NO.	PART NO.	NEW PRODUCT CODE NO.	NAME	QTY.
1	301438	323-903-006	TENSION RELEASER	1
2	301439	323-874-001	BLADE	1
3	301442	323-640-122	SPRING	1
4	301443	323-646-016	SPACER	1
5	5537	323-600-444	SCREW	1
6	301444	323-730-022	LINK	1
7	211094	323-530-057	LEVER	1
8	211095	323-740-103	BRACKET	1
9	5316	323-600-347	SCREW	1
10	5094	323-600-072	SCREW	1
11	211093	323-730-018	LINK	1
12	211092	323-530-056	LEVER	1
13	4009-1	323-600-014	SCREW	2
14	201185	323-615-012	WASHER	2
15	206055	325-615-003	WASHER	1
16	301440	323-903-007	TENSION RELEASER	1
17	301441	323-874-002	BLADE	1
18	304020	323-652-010	THREAD LUBRICATOR ASSEMBLY	1
19	208796-ME	323-658-010	THREAD LUBRICATOR	1
20	202473	323-653-207	FELT	1
21	208797	323-851-058	THREAD GUIDE	1
22	1202	323-600-032	SCREW	1
23	204270	323-653-006	OIL FELT	1
24	211319	323-639-051	TUBE	1
25	202476-1	323-658-001	SILICONE OIL RESERVOIR (UPPER)	1
26	202476-3	323-600-323	REGULATOR	1
27	202476-4	323-510-013	CAP	1
28	304018	323-740-196	BRACKET	1
29	1216	323-600-068	SCREW	2
30	208671	323-800-116	SET PLATE	1
31	2905	323-600-074	SCREW	1
32	304019	323-740-197	BRACKET	1
33	5147	323-600-206	SCREW	1
34	4009-1	323-600-014	SCREW	1

PART NO.	NEW PRODUCT CODE NO.	PAGE	REF. NO.	PART NO..	NEW PRODUCT CODE NO.	PAGE	REF. NO	PART NO.	NEW PRODUCT CODE NO.	PAGE	REF. NO.
771003	323-960-001	19	49								
772002	323-685-035	15	51								
772002	323-685-035	19	50								
783001	323-740-176	15	48								
783001	323-740-176	19	47								
785001	323-707-001	15	40								
785001	323-707-001	19	39								
791009	323-796-008	13	3								
791014	323-796-009	13	9								
791015	323-796-010	13	15								
791016	323-796-011	17	3								
791017	323-796-012	17	9								
791018	323-796-013	17	15								
811034	323-795-007	7	33								
811035	323-795-008	5	23								
811036	323-795-012	9	2								
841002	323-961-005	17	16								
850004	323-961-001	15	44								
850004	323-961-001	19	43								
850006	323-961-002	15	45								
850007	323-961-003	19	44								

**FOR 2-NEEDLE.
WITH ELECTRONIC TENSION CONTROLLER**

**CROSS REFERENCE FOR PART NUMBER
AND NEW PRODUCT CODE NUMBER**

BT DEVICE TYPE		BT052	BT054
MACHINE TYPE /SPECIFICATION		514-E52-181 /323-N	514-4-181 /323-N
		514-E52-182 /323-N	514-4-182 /323-N
COMPONENTS OF BT DEVICE TYPES	Clamp & knife assembly	301522	301522
	Tension releaser	301503	304012
	Finger drive mechanism	303894-FD	303894-FD
	Retractable finger	301509	304007
	Sub-plate	301365	303901
	screw	5107x2	5107x2
	Sensor set	301408	303822
	Needle plate bracket ass.	301366	303888
	Cloth plate	301368	303891
	Machine arm (left)	-----	303424-FD
	Top cover	301382-HD	304017-HD
	plug	-----	208339
	Side cover	301376-FB	-----
	Pulley	-----	303861-HD
	Fan assembly	301349	-----
	Needle thread cover	-----	303812-HD
	H.R. Device	-----	304020
	Silicone pipe clamp	301370	303893
	Needle guard bracket	301371	-----
	Needle guard	301373	-----
screw	5492x2	-----	
Lower knife holder	301374	-----	
Select the Controller and the Cord depending on the electric power to be used.	BT Cont-roller	Cord	Electric power
	760092	742076	100V
		742075	200V
	760093	742077	220V
		742078	240V
	760094	742087	380V
		742088	415V

005107	323-600-128
005492	323-600-390
204012	323-515-201
208339	323-627-019
301349	323-568-007
301365	323-800-106
301366	323-740-138
301368	323-802-034
301370	323-734-008
301371	323-740-139
301373	323-561-056
301374	323-530-106
301376-FB	323-510-131
301382-HD	323-510-132
301408	323-971-003
301503	323-903-008
301509	323-685-036
301522	323-871-007
303424-FD	323-500-028
303812-HD	323-510-138
303822	323-971-007
303861-HD	323-546-012
303888	323-741-002
303891	323-802-048
303893	323-734-009
303894-FD	323-903-009
303901	323-800-110
304007	323-863-058
304017-HD	323-510-154
304020	323-652-010
742075	323-537-030
742076	323-537-031
742077	323-537-032
742078	323-537-033
742087	323-537-040
742088	323-537-041
760092	323-516-008
760093	323-516-009
760094	323-516-010

..... continued from page 25.

NEW PRODUCT CODE NO.	PART NO.	REF. PAGE NO.
323-961-005	841002	17 16
323-971-001	301361	2
323-971-001	301361	11 18
323-971-003	301408	2
323-971-003	301408	11 1
323-971-003	301408	29
323-971-004	301409	11 15
323-971-005	303782	11 46
323-971-006	303783	11 30
323-971-007	303822	2
323-971-007	303822	11 59
323-971-007	303822	29
323-971-008	303823	11 50
323-971-011	712003	11 12
323-971-011	712003	11 45
323-972-003	716007	11 13
323-972-003	716007	11 37
323-972-004	716008	11 52
325-607-012	306328	7 30
325-615-003	206055	23 15
325-620-041	306302	7 26

