

Teileliste und Klammersaetze Parts List and Clamp sets

510

DÜRKOPP ADLER AG

Postfach 17 03 51, D-33703 Bielefeld • Potsdamer Straße 190, D-33719 Bielefeld
Telefon +49 (0) 5 21 / 9 25-00 • Telefax +49 (0) 5 21 / 9 25 24 35 • www.duerkopp-adler.com

Ausgabe / Edition: 08/2007	Änderungsindex Rev. index: 02.0	Printed in Federal Republic of Germany	Teile-Nr./Part.-No.: 0791 510801
--------------------------------------	---	--	--

510

Inhaltsverzeichnis	Tafel / Table	Contents
Nadelstange	1	Needle bar
Armwelle	2	Arm shaft
Fadenwischer	3	Thread wiper
Klammerlueftung	4, 5	Clamp lifting
Greifertreiber	6	Hook driver
Fadenspannung	7	Thread tension
Fadenabschneider	8 - 10	Thread trimmer
Transporteinrichtung (Klammer)	11	Feed drive (Clamp)
Kontraktionsklammer	12	Contraction clamp
Transporteinrichtung (Schrittmotore)	13	Feed drive (Step motors)
Spuler	14	Winder
Rahmen und Abdeckung	15	Frame and covering
Schmierung	16	Lubrication
Gestell	17	Stand
Elektroteile	18	Electronics
Fadenwischer elektrisch	19	Electric thread wiper
Bedienfeld	20	Control panel
Lasermarkierungsleuchte	21	Laser marking lights
Handtaster	22	Push-buttons
Klammerfussabsenkung	23	Lowering device for the clamp
Wartungseinheit	24	Maintenance unit
Beipack / Zusatzausstattung	25	Accessories / Optional equipment
Klammersaetze		Clamp sets
Plaene		Plans

Alle Rechte vorbehalten.

Eigentum der Dürkopp Adler AG und urheberrechtlich geschützt. Jede, auch auszugsweise Wiederverwendung dieser Inhalte ist ohne vorheriges schriftliches Einverständnis der Dürkopp Adler AG verboten.

All rights reserved.

Property of Dürkopp Adler AG and copyrighted. Reproduction or publication of the content in any manner, even in extracts, without prior written permission of Dürkopp Adler AG, is prohibited.

Copyright © Dürkopp Adler AG - 2007



<p>1</p> 	<p>2</p> 	<p>3</p> 	<p>4</p> 
<p>0510 D280515 0570 001015 Ersatz replacement Spule, normal <i>Bobbin</i></p>	<p>0510 D280511 Spulenkapsel, normal <i>Bobbin case</i></p>	<p>0510 1818-282-N00 Greifer, normal <i>Hook</i></p>	<p>0510 5100517Z Treiber, normal <i>Driver</i></p>
<p>5</p> 	<p>6</p> 	<p>7</p> 	<p>8</p> 
<p>0510 D816-11 (510-211; 510-212) 0510 D816-14 (510-213) 0510 D816-15 Strickware Knitwear 0510 350180 (510-211; 510-212) 0510 350190 (510-213; 510-214) 0510 350170 (Ø2,2 without trough) (Ø1,6 without trough) Stichplatteneinsatz <i>Throat plate insert</i></p>	<p>0510 B2424-280-000 0510 D816-6 (for machine from order number 0510 990009-0510 990012) Gegenmesser FA <i>Counter-knife</i></p>	<p>0510 B2421-280-0A0 0510 350033 (for machine from order number 0510 990009-0510 990012) Hakenmesser <i>Hooked blade</i></p>	<p>0510 D816-13-1 (0,8) 0510 D816-13-2 (0,7) 0510 D816-13-3 (0,6) 0510 D816-13-4 (0,5) Distanzscheibe für Pos.7 <i>Distance washer for pos.7</i></p>



<p>9</p> 	<p>10</p> 	<p>11</p> 	<p>12</p> 
<p>0510 5101204 Abreißmesser <i>Tear off knife</i></p>	<p>0510 D281219 Gummiring <i>Rubber ring</i></p>	<p>0510 D8.07-15 (550-211) 0510 5101503 (550-212) 0510 D281116 (550-213) Klammerfuss, links <i>Clamping foot, left</i></p>	<p>0510 D8.07-14 (550-211) 0510 5101504 (550-212) 0510 D281115 (550-213) Klammerfuss, rechts <i>Clamping foot, right</i></p>
<p>13</p> 	<p>14</p> 	<p>15</p> 	<p>16</p> 
<p>0510 E380207 Fadenführung <i>Thread guide</i></p>	<p>0510 510G0204 (M3x4) Schraube für Pos.16 <i>Screw for pos. 16</i></p>	<p>9092 013400 090 (510-211, 510-212) 9092 013500 120 (510-213) Nadel <i>Needle</i></p>	<p>9092 013400 090 (510-211, 510-212) 9092 013500 120 (510-213) Nadel <i>Needle</i></p>
<p>17</p> 	<p>18</p> 	<p>19</p> 	<p>20</p> 
<p>0510 D8.05-8 Stegscheibe <i>Disc</i></p>	<p>0510 D8.05-15 Spannungsscheibe <i>Tension disc</i></p>	<p>0510 5100714 (510-211; 510-212) 0510 5100719 (510-213) Fadenanzugsfeder <i>Thread take-up lever</i></p>	<p>0933 001544 Ölpumpe <i>Oil pump</i></p>



21

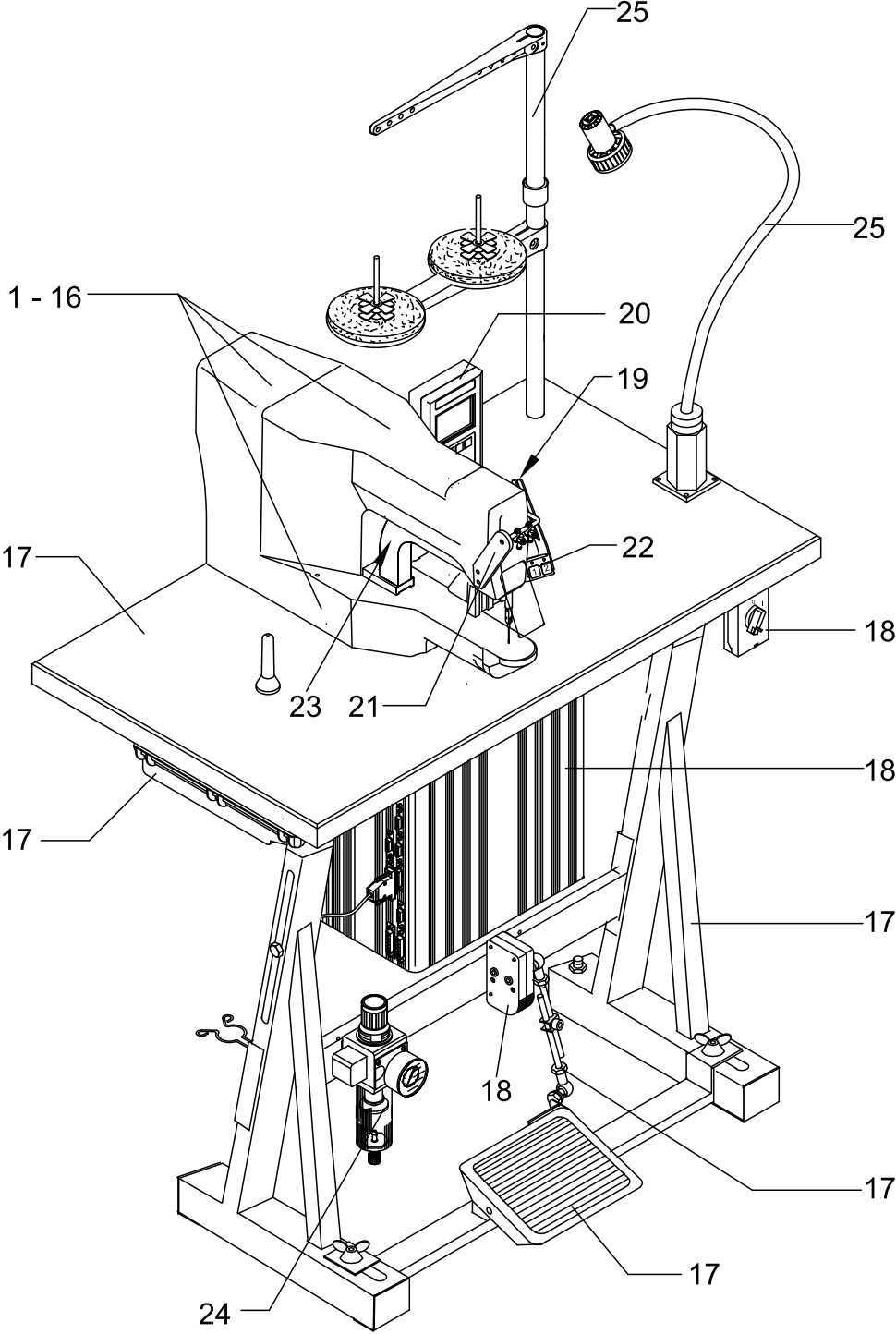


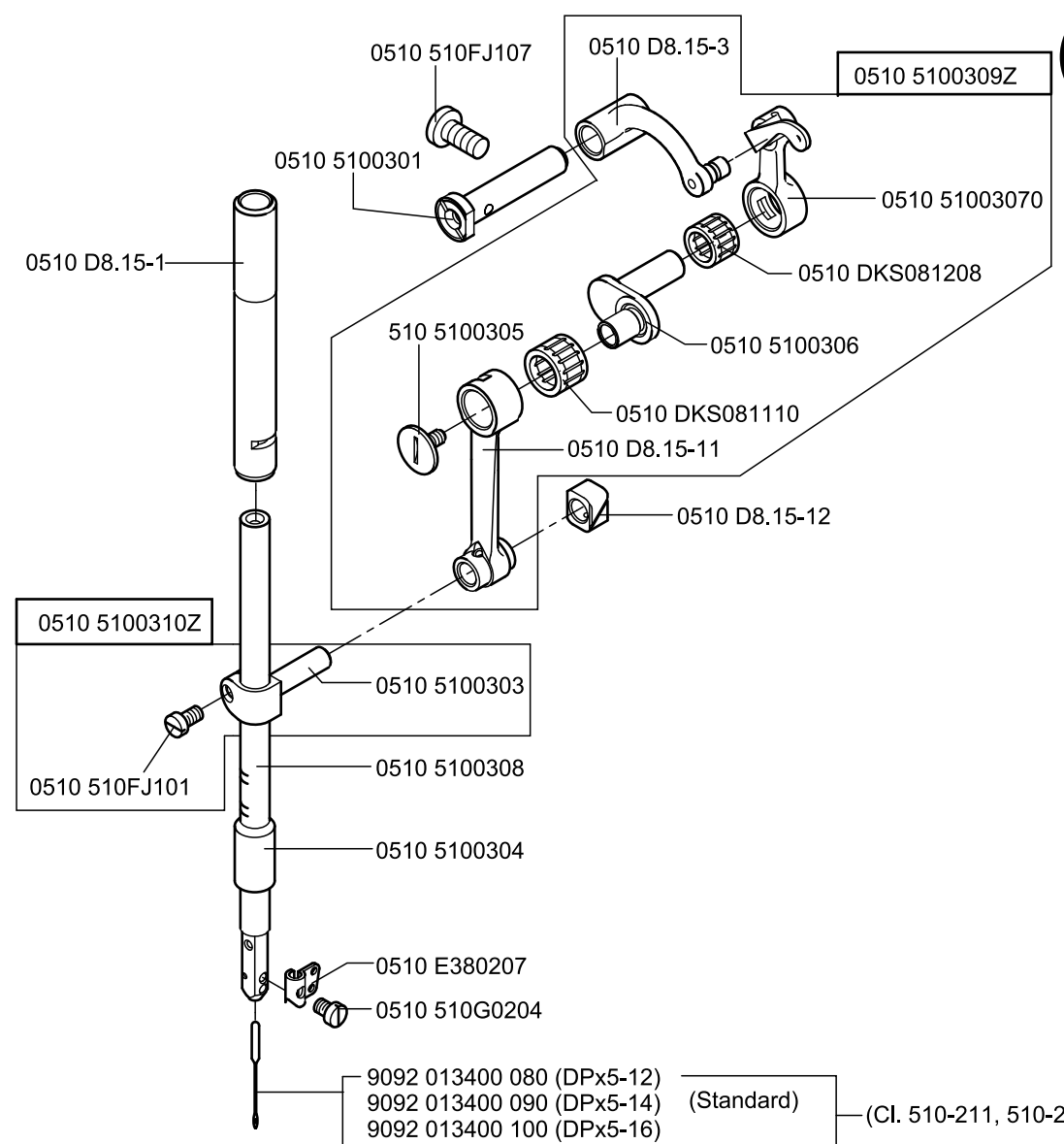
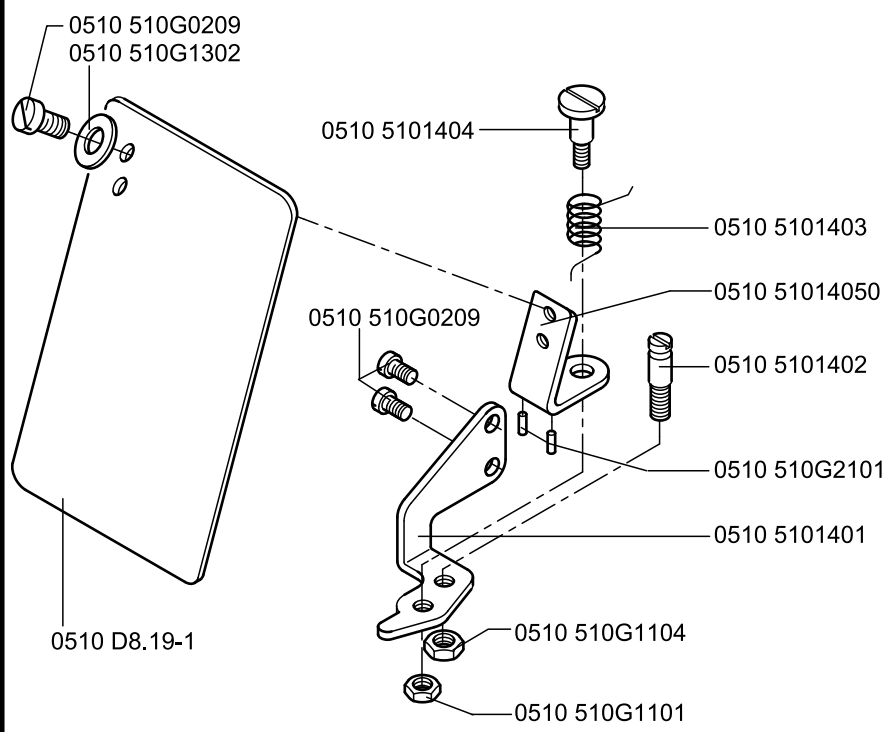
9822 642010
Halogenlampe 12/20W
Halogen bulb 12/20W

22

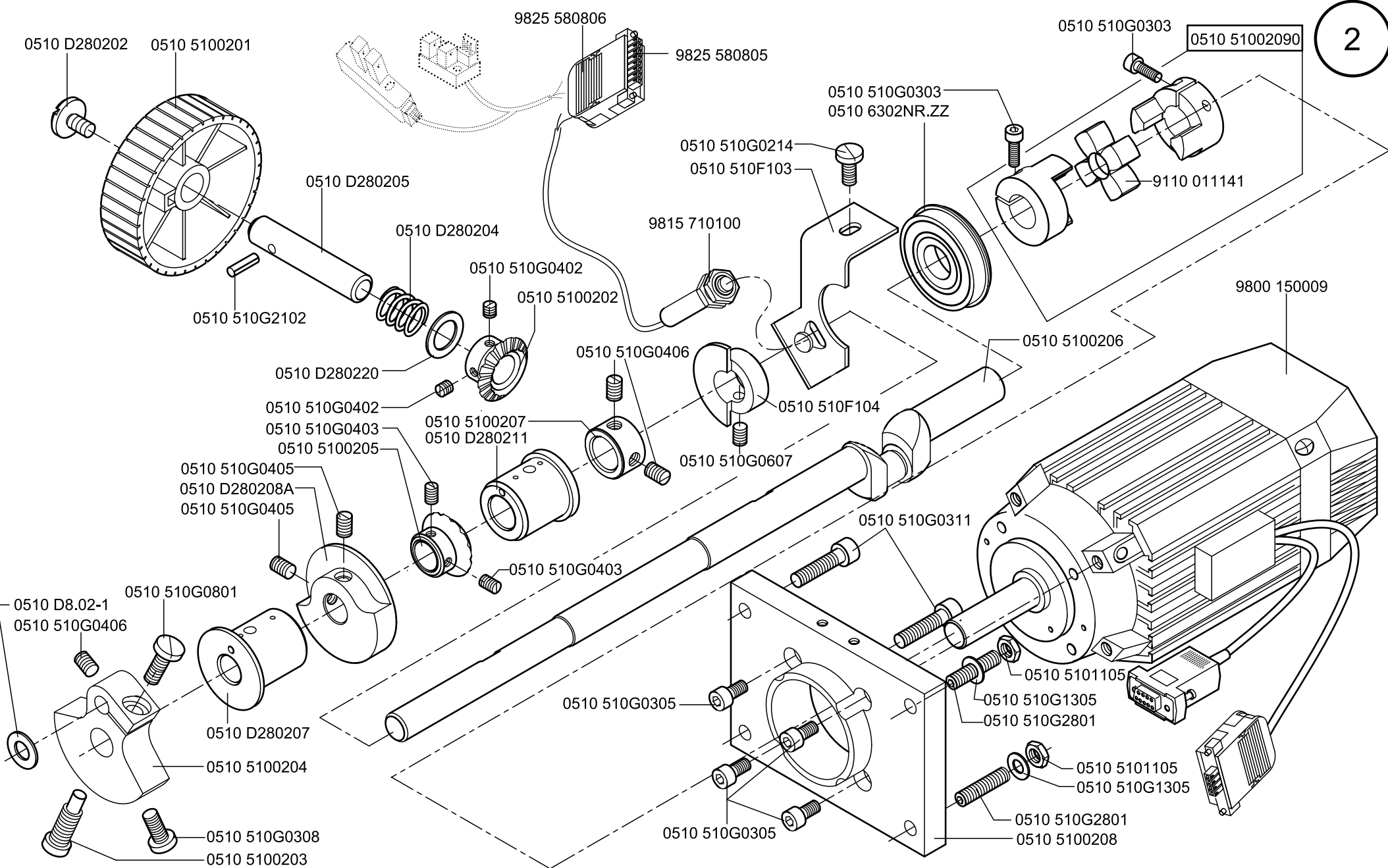


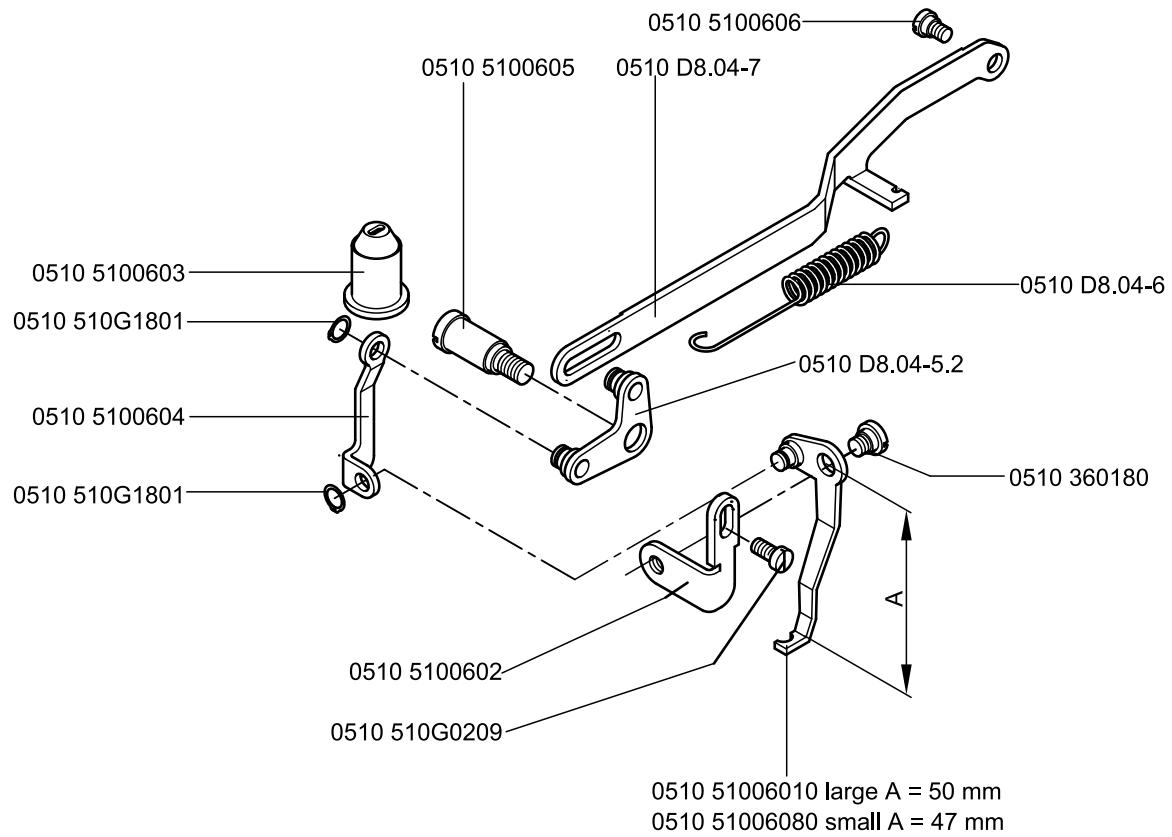
9825 810219 (F6,3A)
9825 810417 (T6,3A)
Sicherung
Fuse

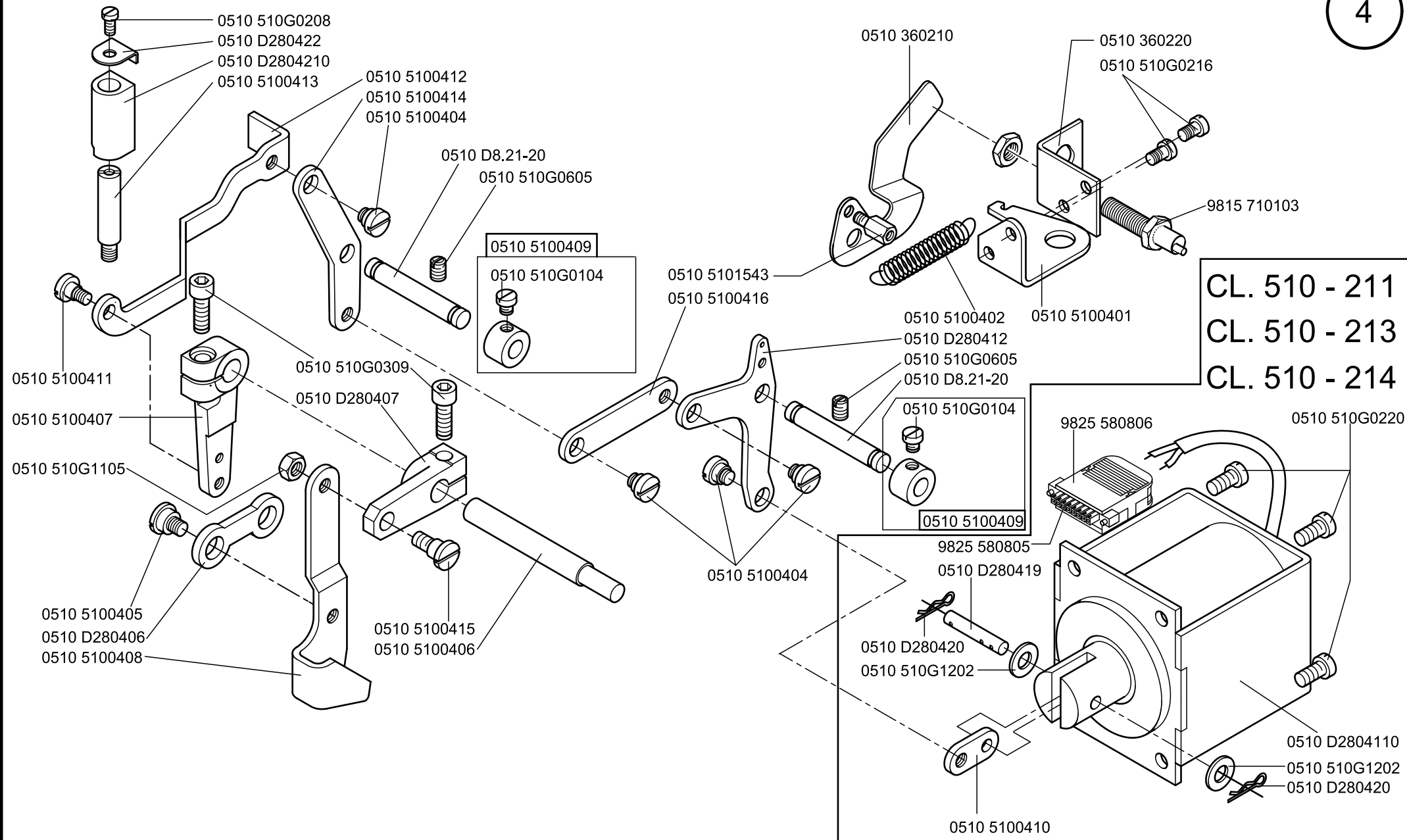




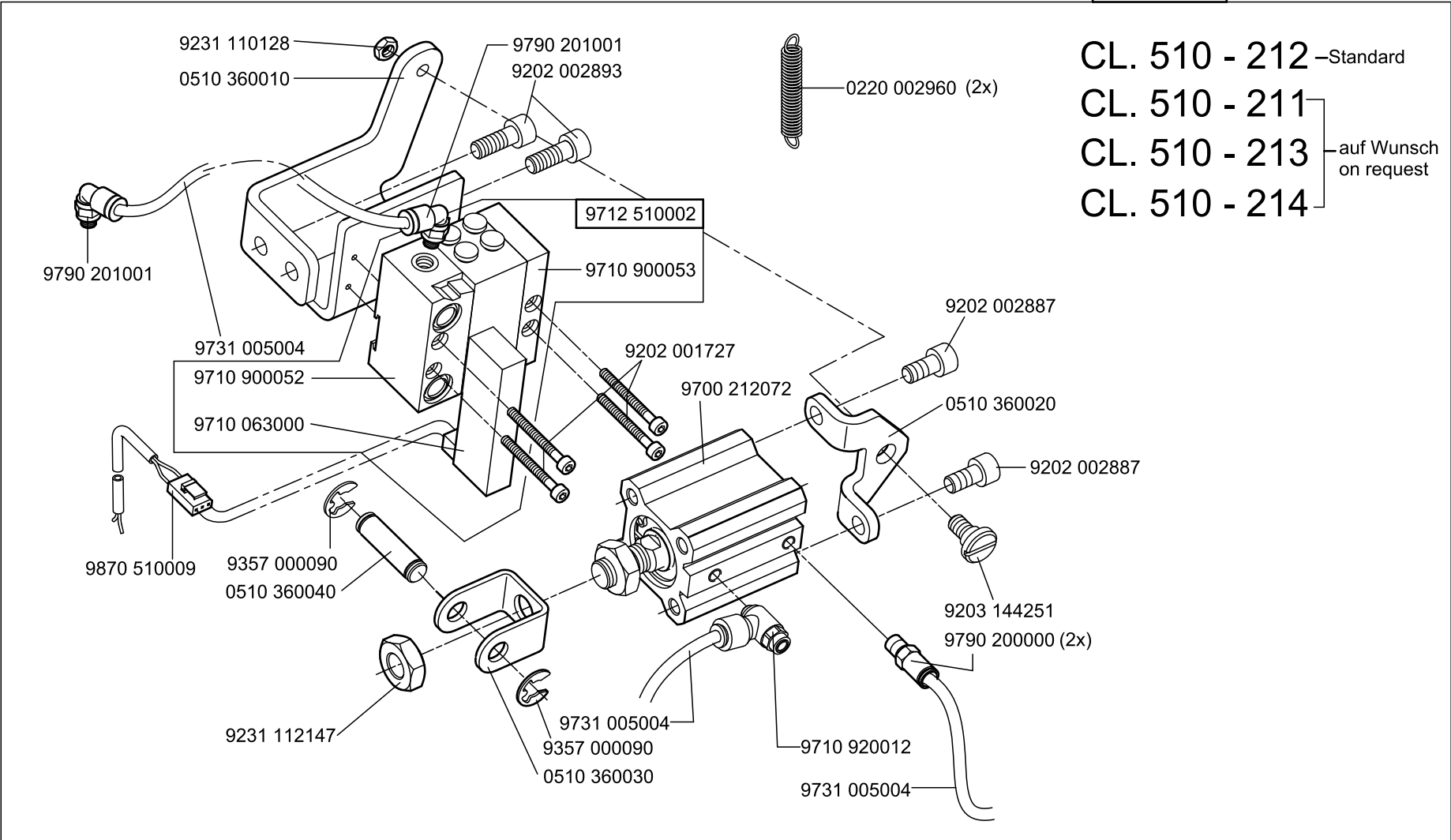
- | | | | | | | | |
|----------------------------|--|--|--|------------------------|---------------------------|---------------------------|---------------------------|
| 9092 013400 080 (DPx5-12) | <table border="0"> <tr> <td>(Standard)</td> <td rowspan="4"> <table border="0"> <tr> <td>(Cl. 510-211, 510-212)</td> </tr> </table> </td> </tr> <tr> <td>9092 013400 090 (DPx5-14)</td> </tr> <tr> <td>9092 013400 100 (DPx5-16)</td> </tr> <tr> <td>9092 013400 110 (DPx5-18)</td> </tr> </table> | (Standard) | <table border="0"> <tr> <td>(Cl. 510-211, 510-212)</td> </tr> </table> | (Cl. 510-211, 510-212) | 9092 013400 090 (DPx5-14) | 9092 013400 100 (DPx5-16) | 9092 013400 110 (DPx5-18) |
| (Standard) | | <table border="0"> <tr> <td>(Cl. 510-211, 510-212)</td> </tr> </table> | | (Cl. 510-211, 510-212) | | | |
| (Cl. 510-211, 510-212) | | | | | | | |
| 9092 013400 090 (DPx5-14) | | | | | | | |
| 9092 013400 100 (DPx5-16) | | | | | | | |
| 9092 013400 110 (DPx5-18) | | | | | | | |
| 9092 013500 100 (DPx17-16) | <table border="0"> <tr> <td>(Cl. 510-213)</td> </tr> </table> | (Cl. 510-213) | | | | | |
| (Cl. 510-213) | | | | | | | |
| 9092 013500 110 (DPx17-18) | | | | | | | |
| 9092 013500 120 (DPx17-19) | (Standard) | | | | | | |







0510 590064



CL. 510 - 212 -Standard

CL. 510 - 211

CL. 510 - 213

CL. 510 - 214

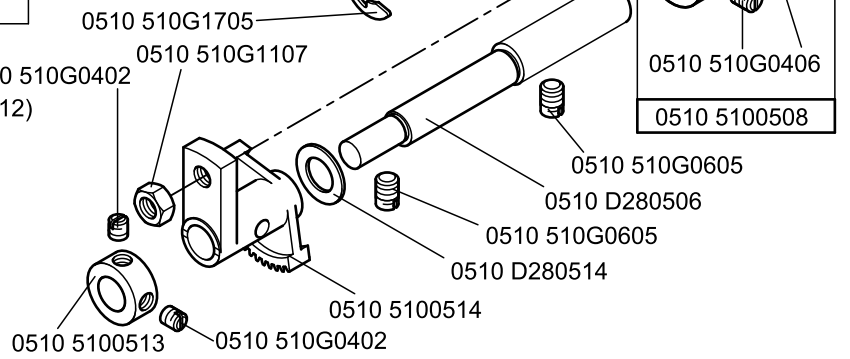
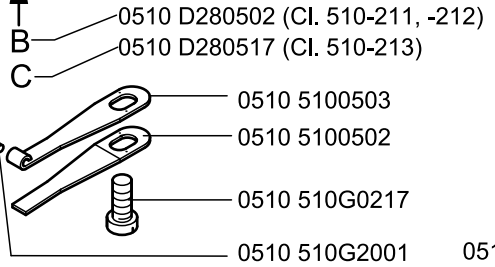
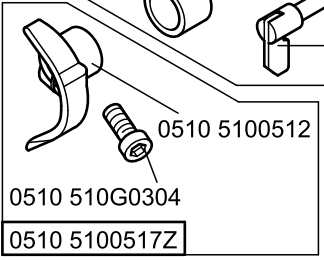
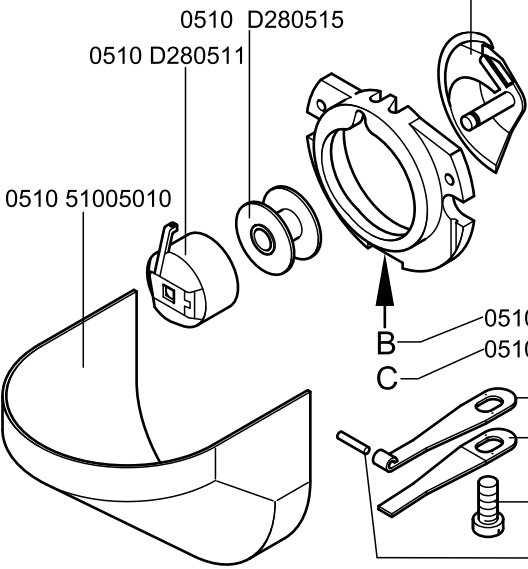
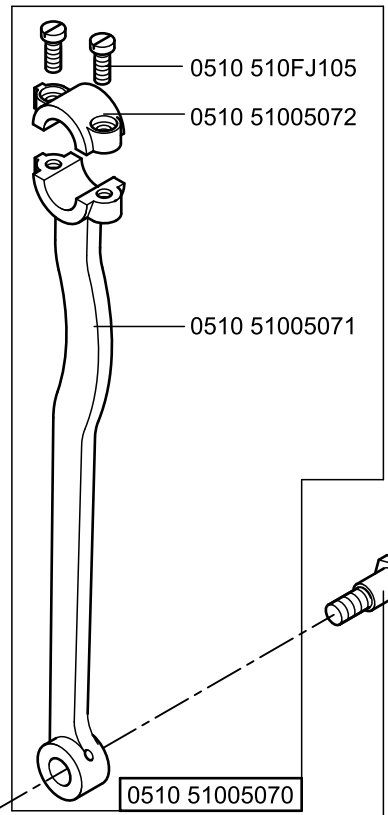
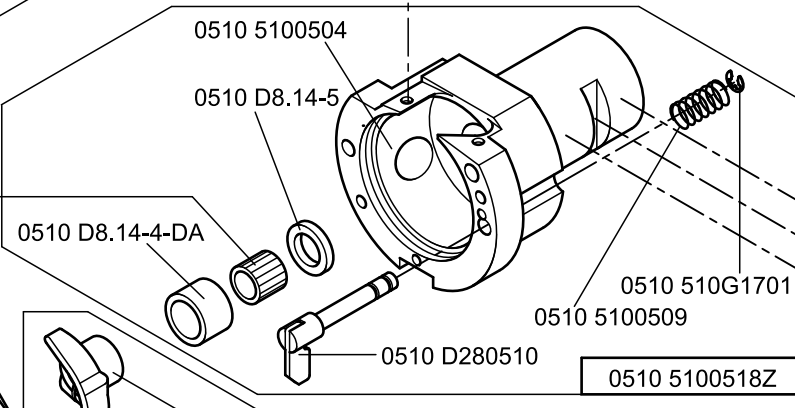
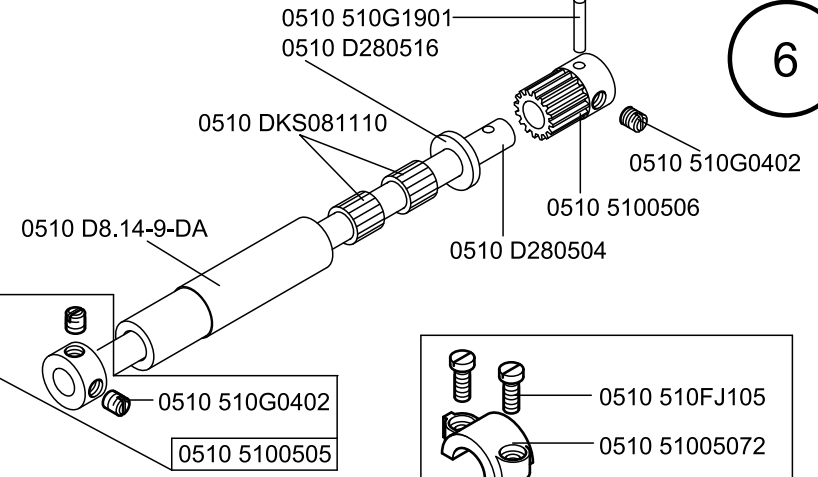
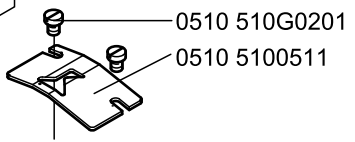
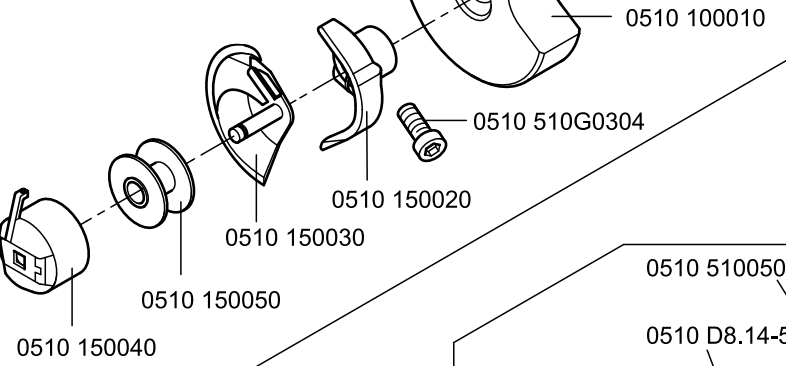
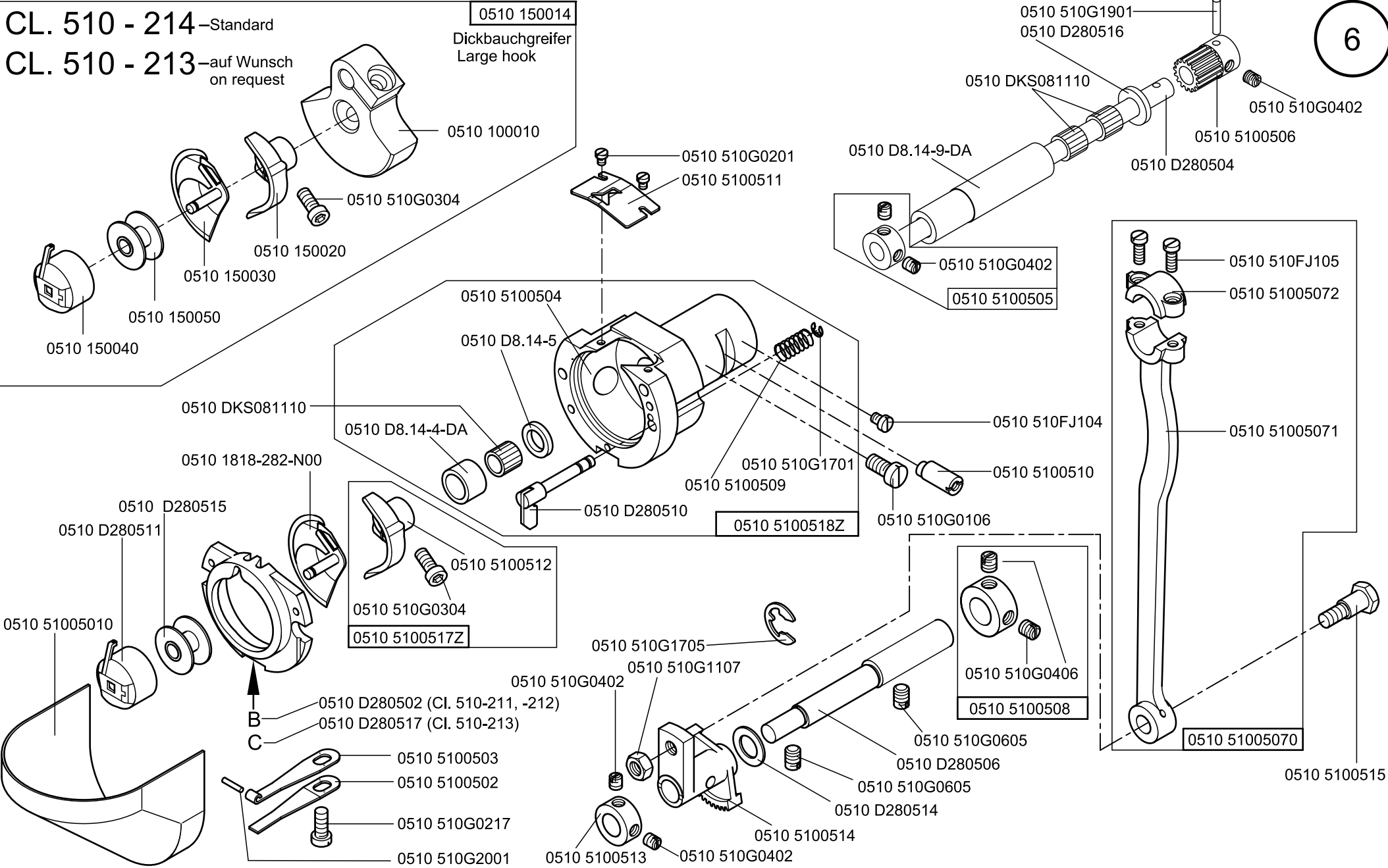
auf Wunsch
on request

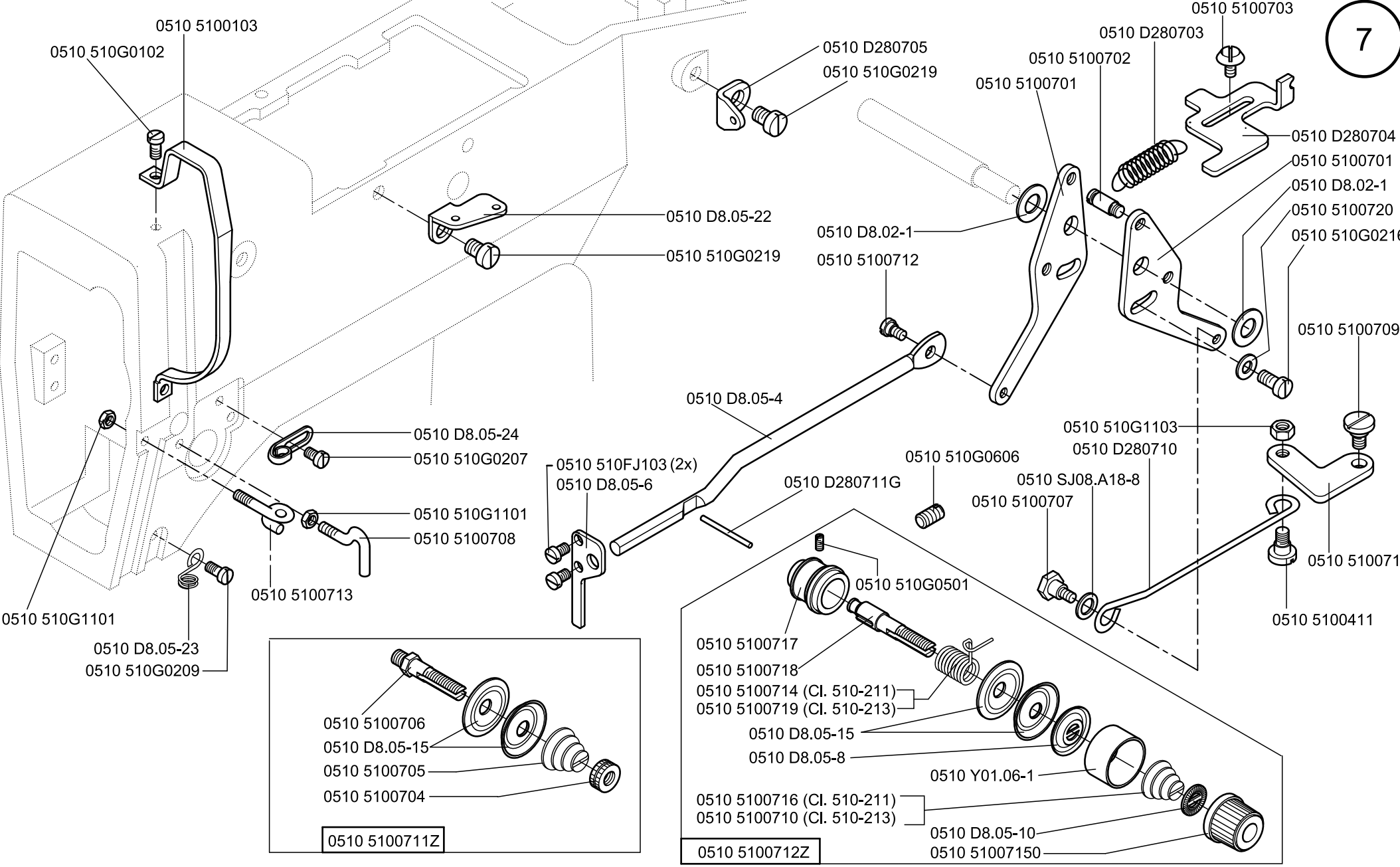
CL. 510 - 214 - Standard

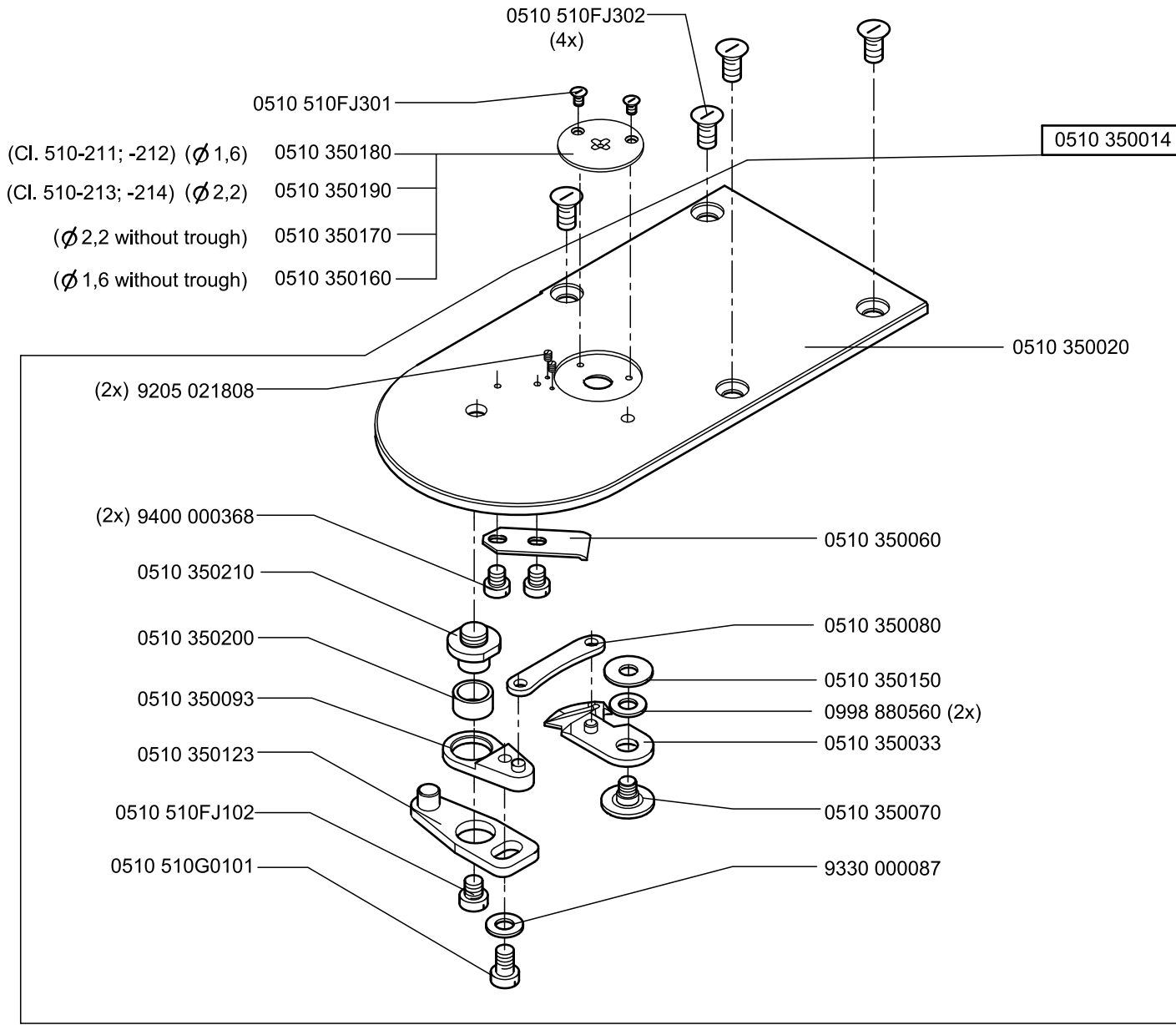
CL. 510 - 213 - auf Wunsch
on request

0510 150014

Dickbauchgreifer
Large hook



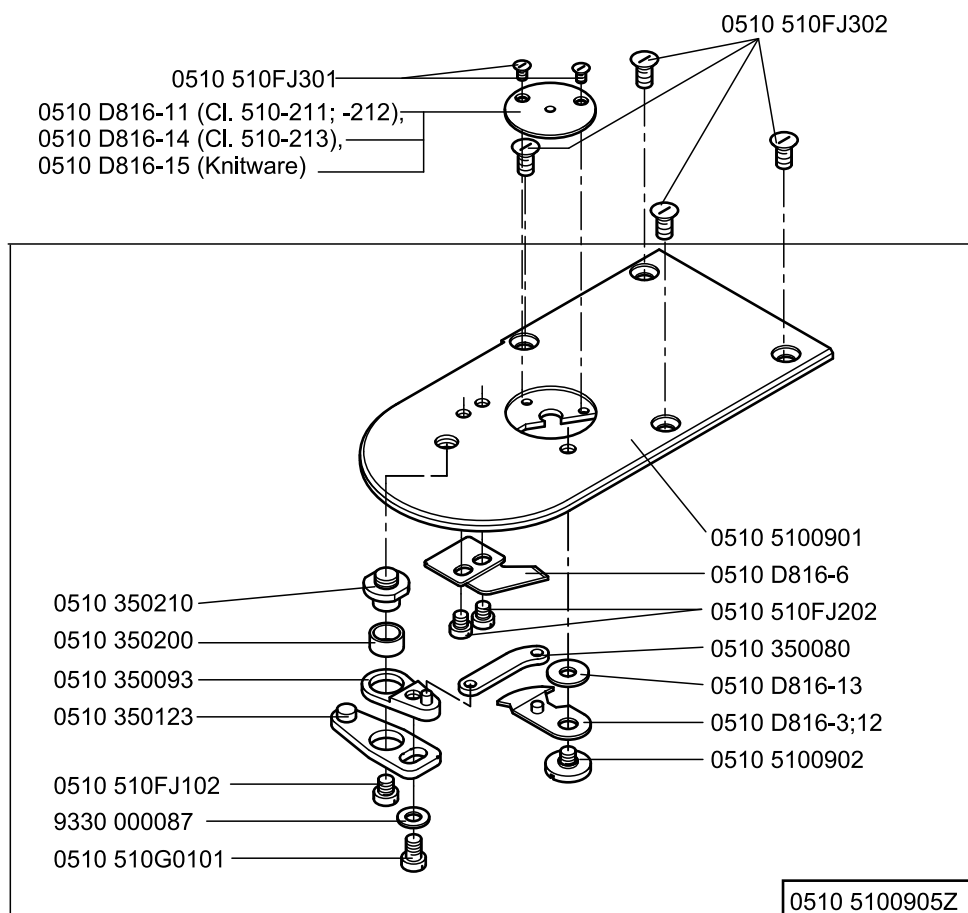
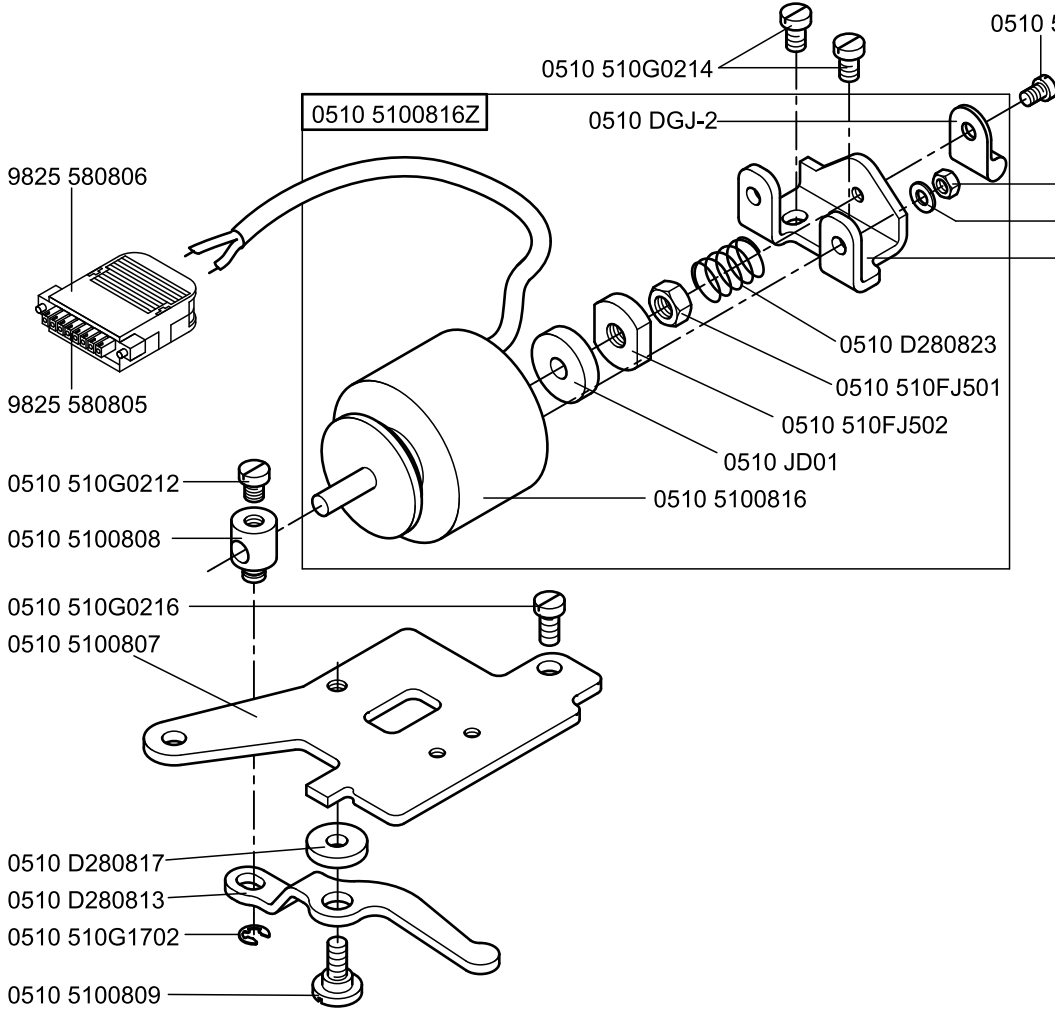


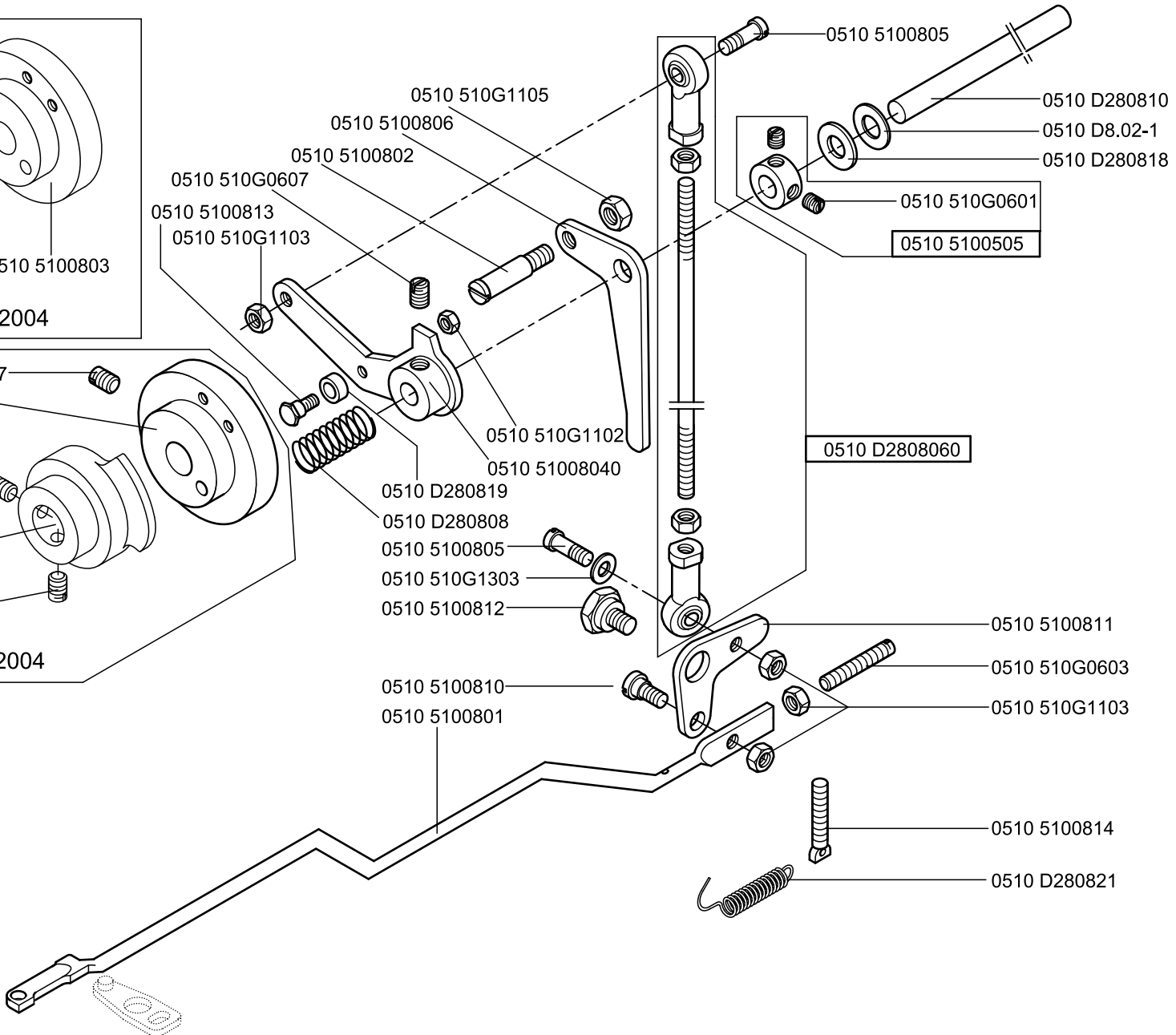
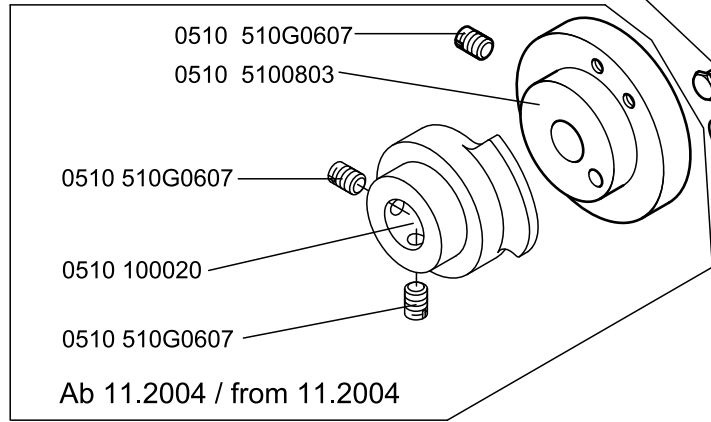
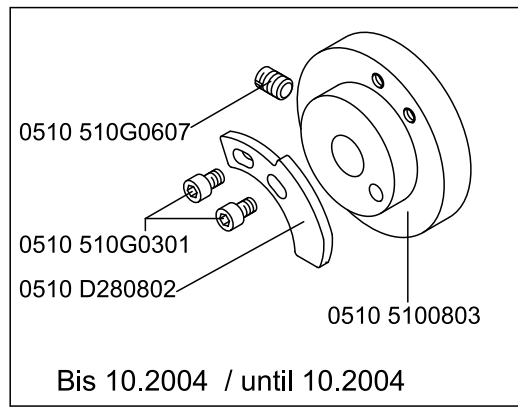


Für Maschine ab Artikelnummer

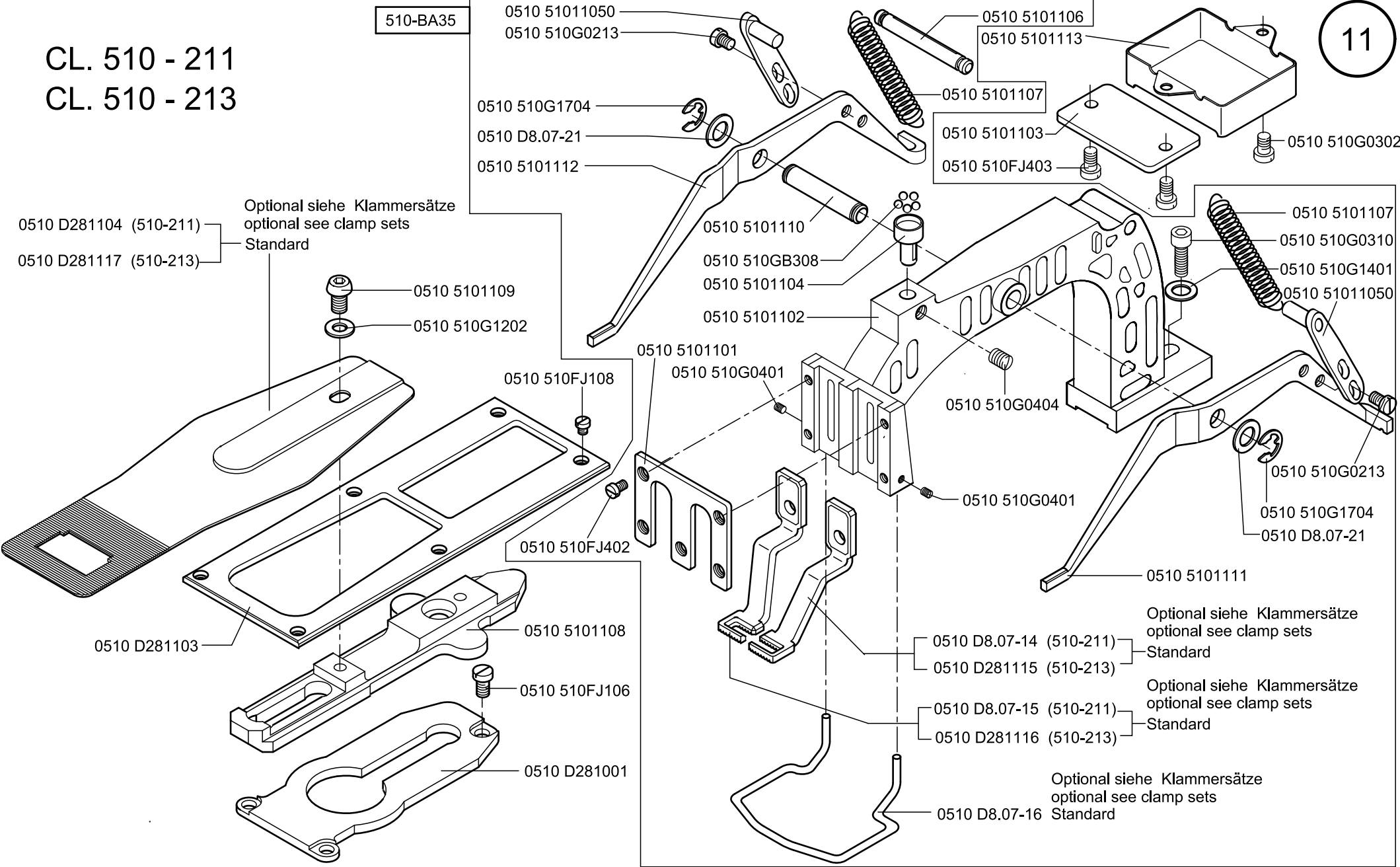
For machine from order number

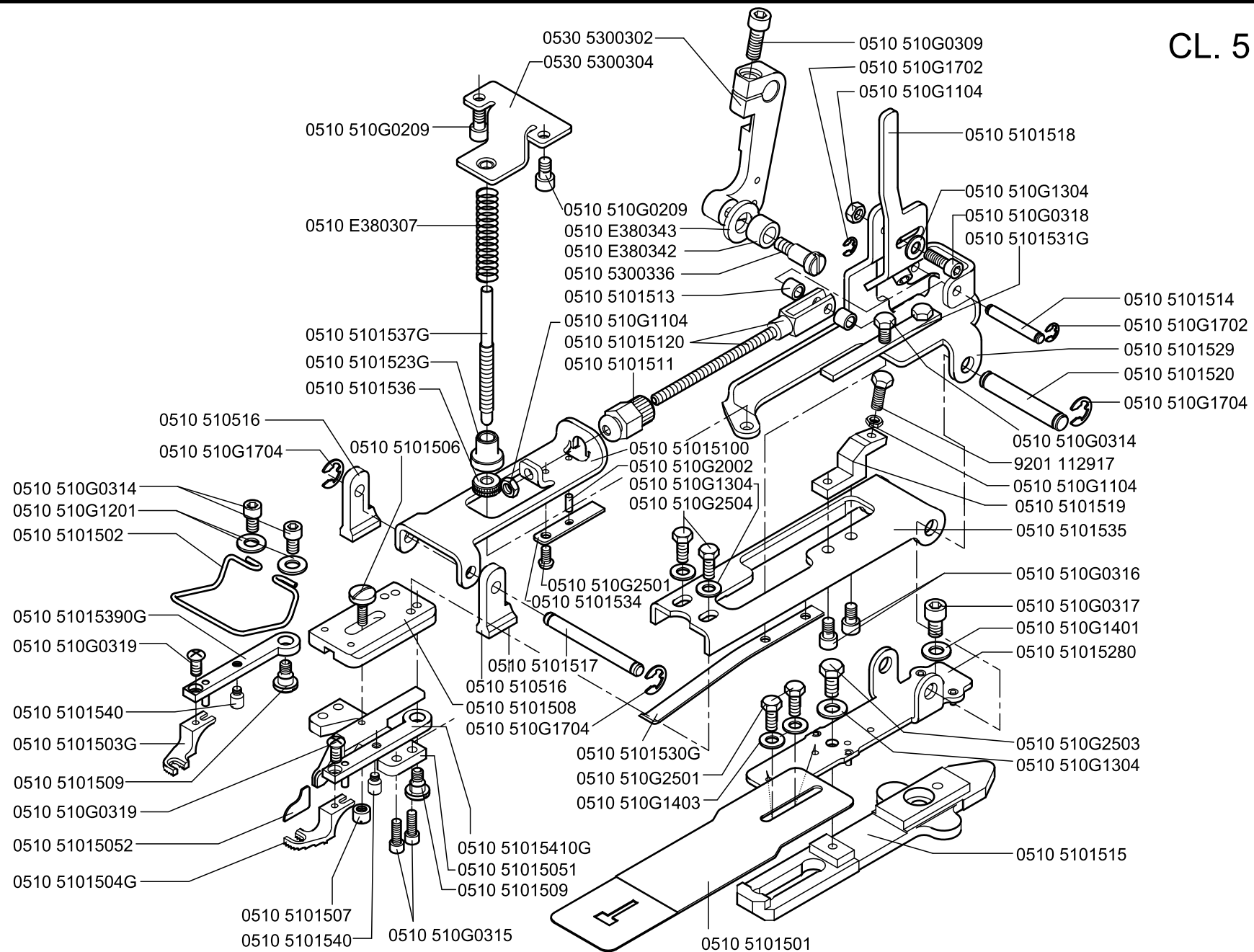
- 0510 990009
- 0510 990010
- 0510 990011
- 0510 990012





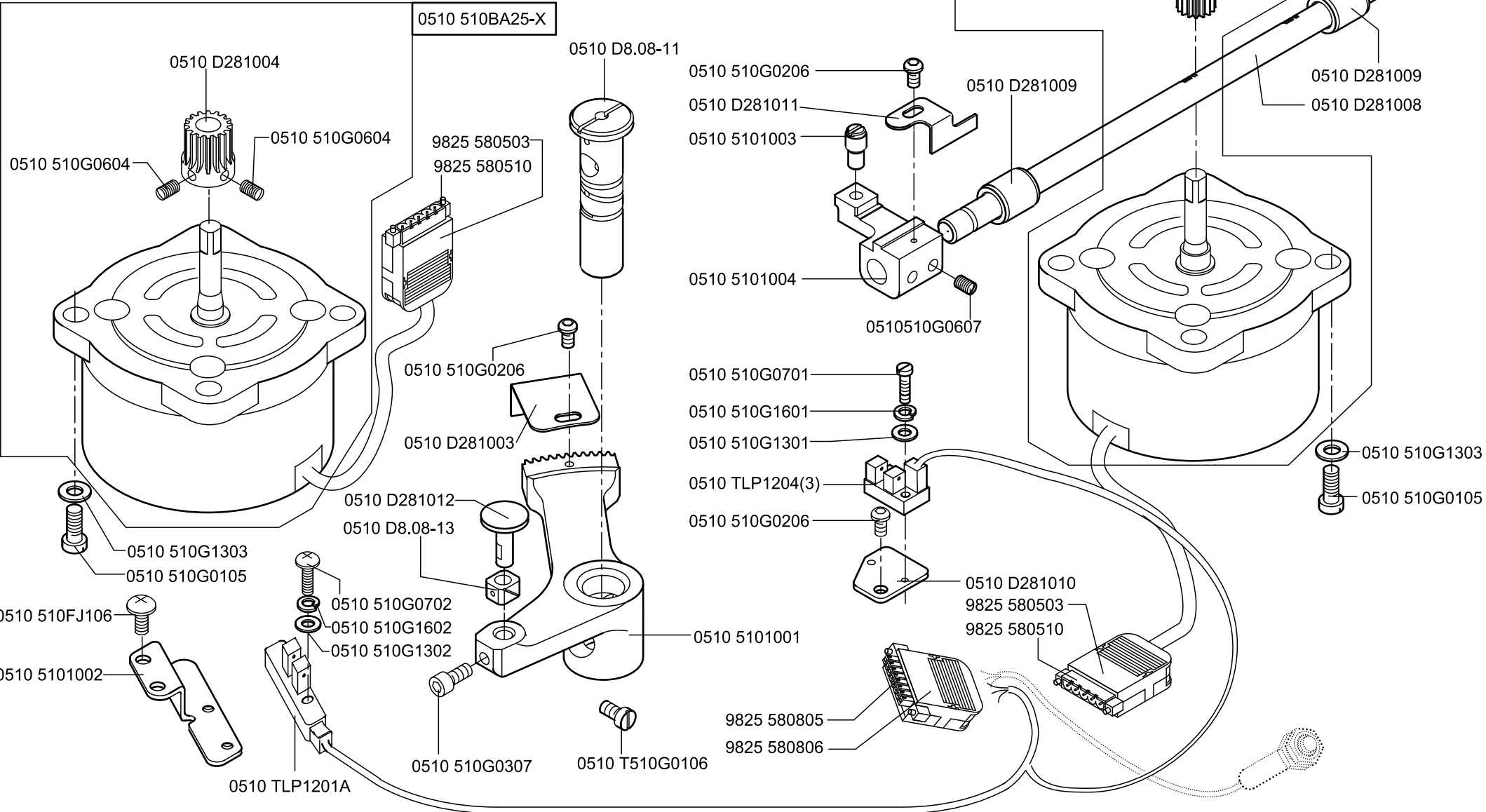
CL. 510 - 211
CL. 510 - 213

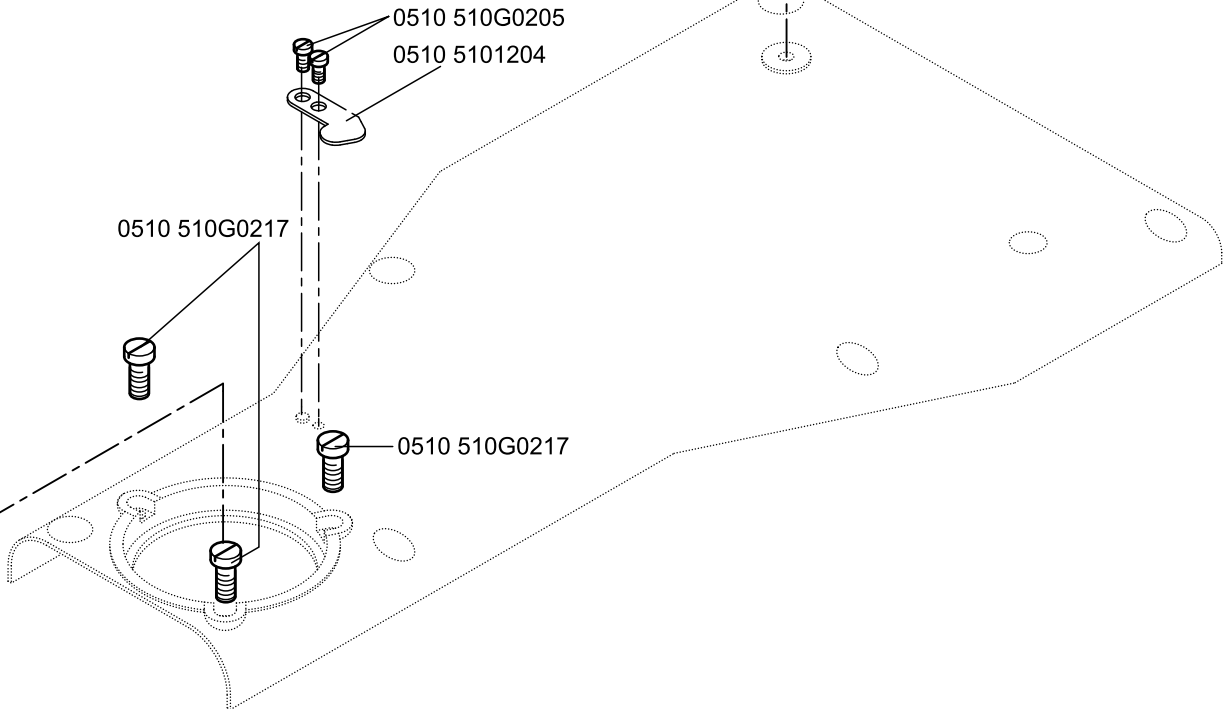
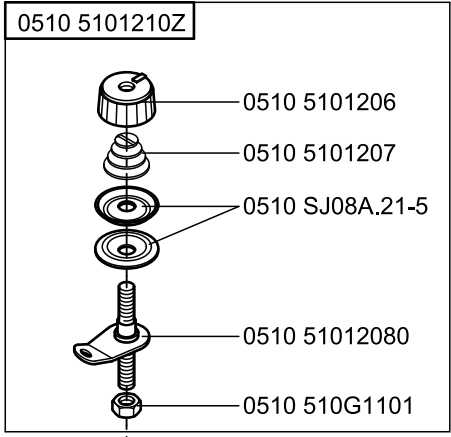
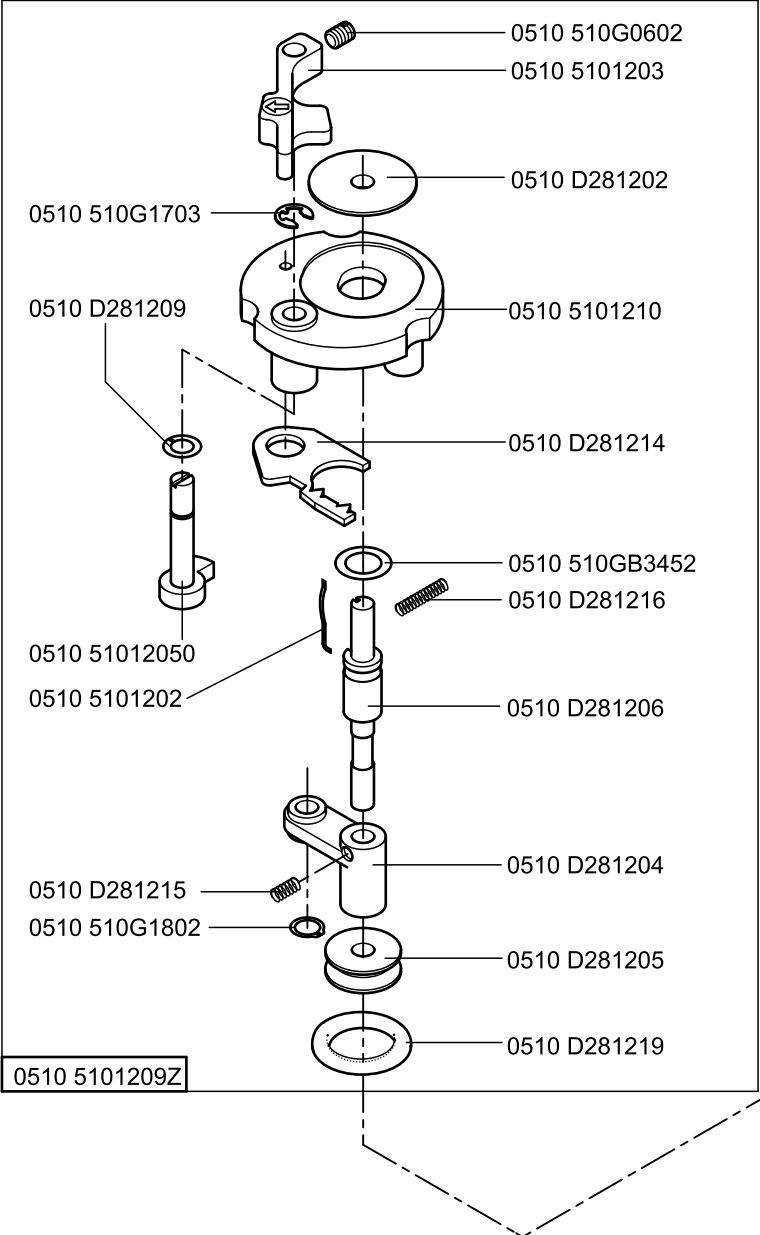


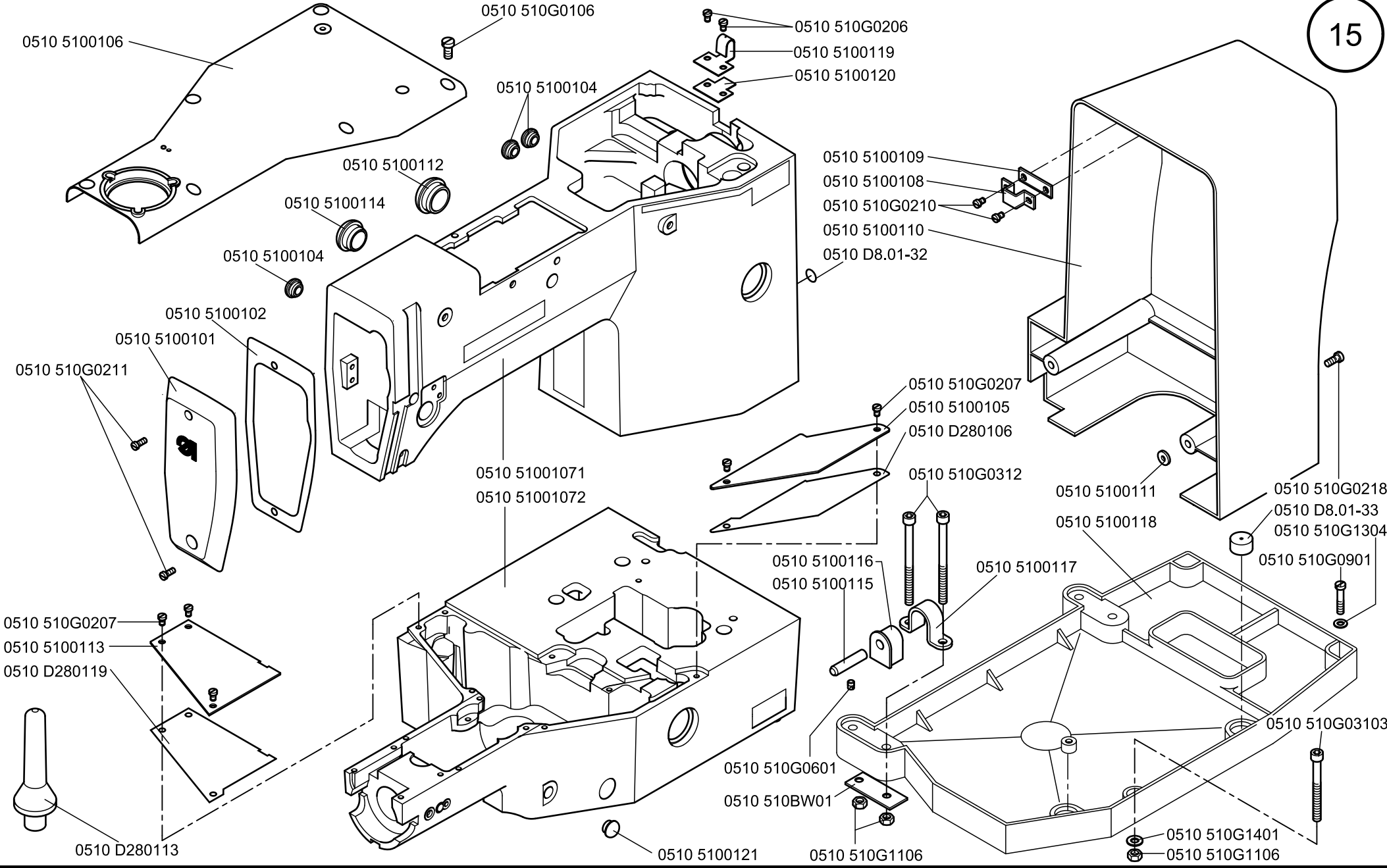


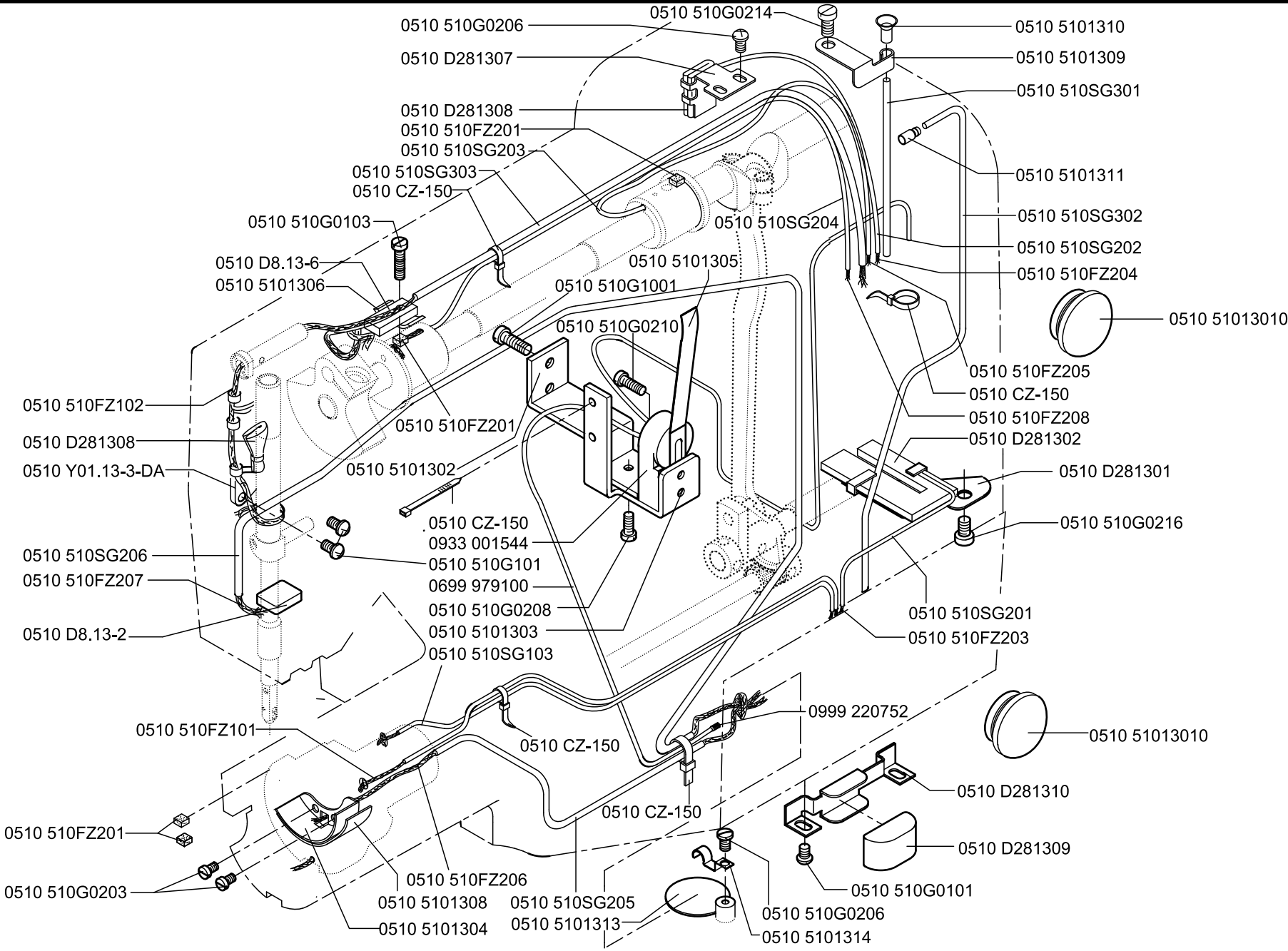
0510 510BA25-Y
0510 D281007
0510 510G0604
0510 510G0604

0510 510BA25-X

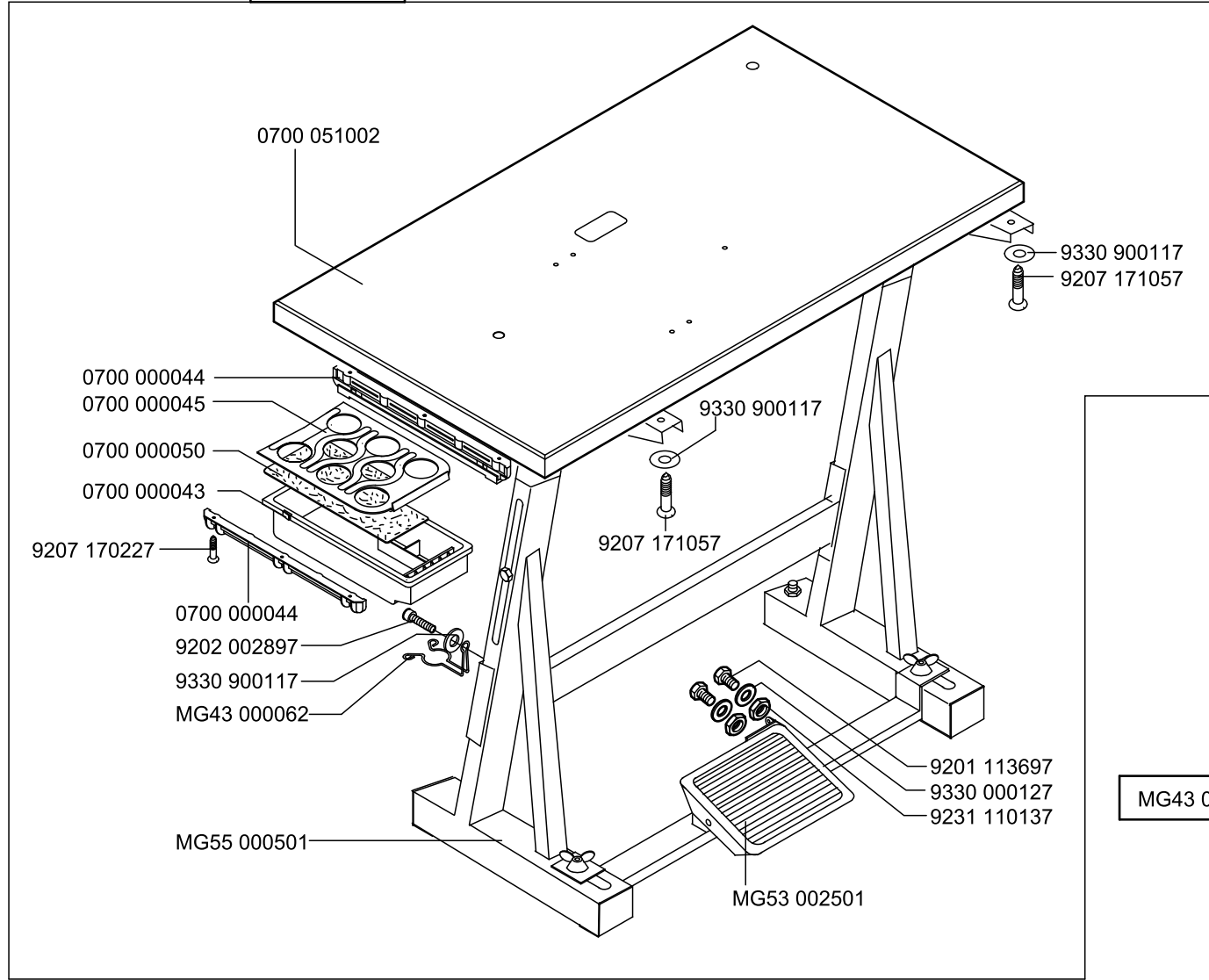




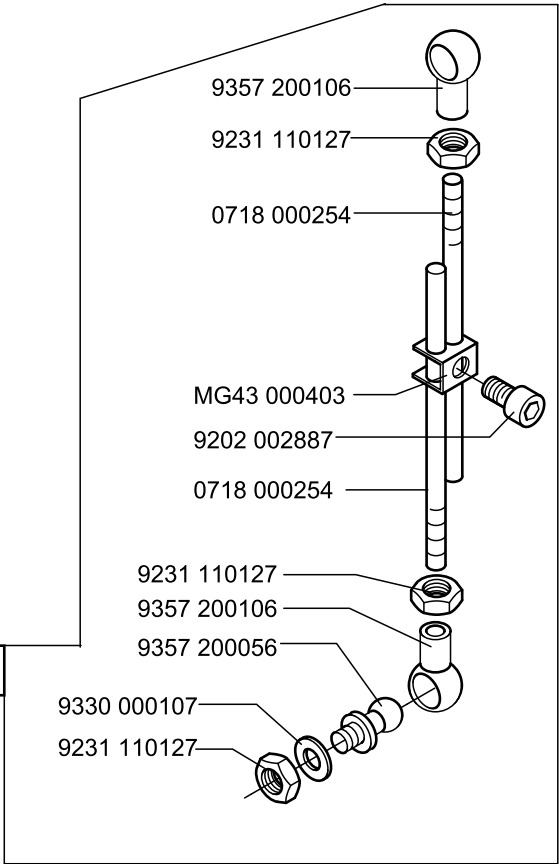


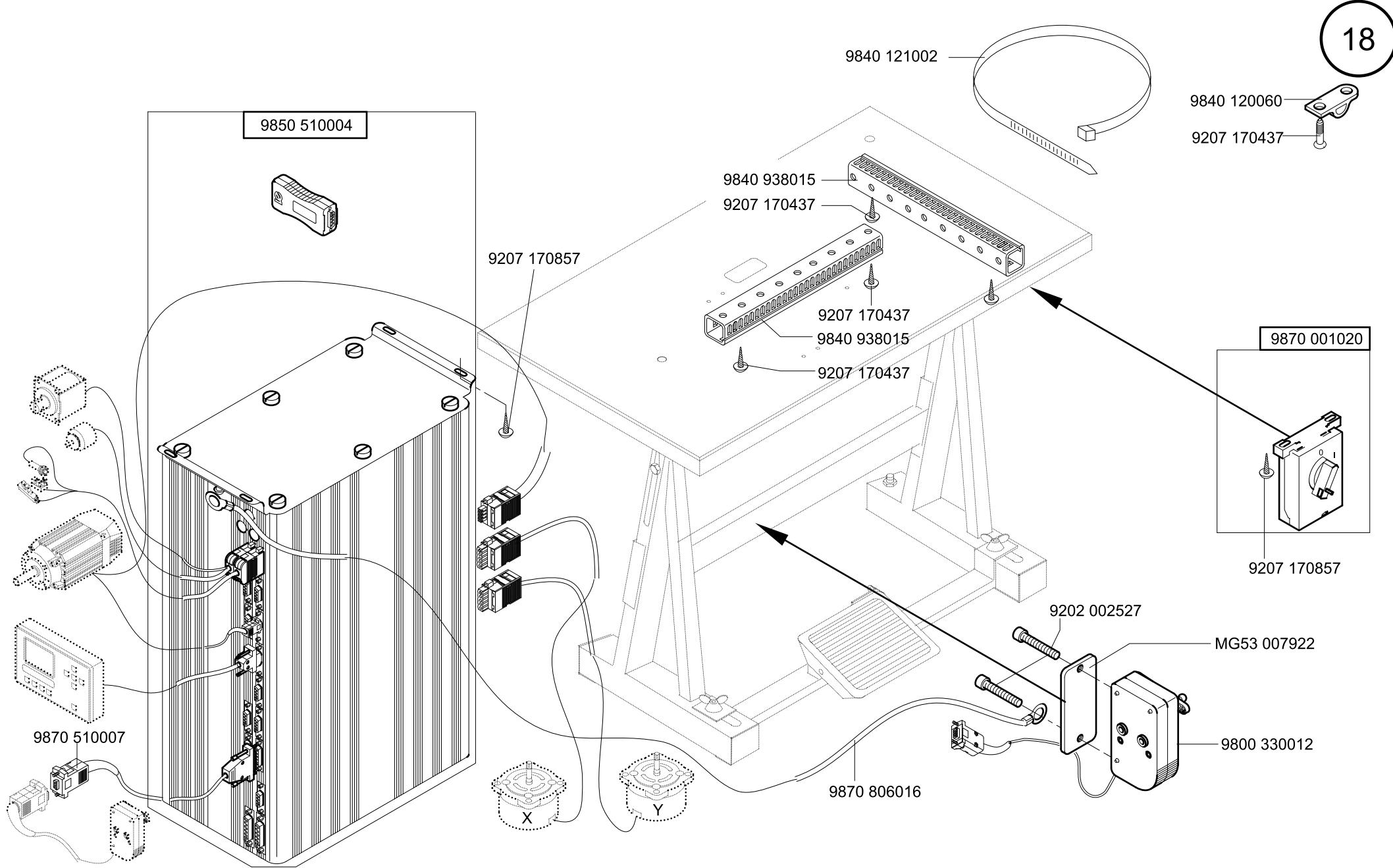


MG55 400294



MG43 000451





9850 510004

9840 121002

9840 120060

9207 170437

9840 938015

9207 170437

9207 170857

9207 170437

9840 938015

9207 170437

9870 001020

9207 170857

9202 002527

MG53 007922

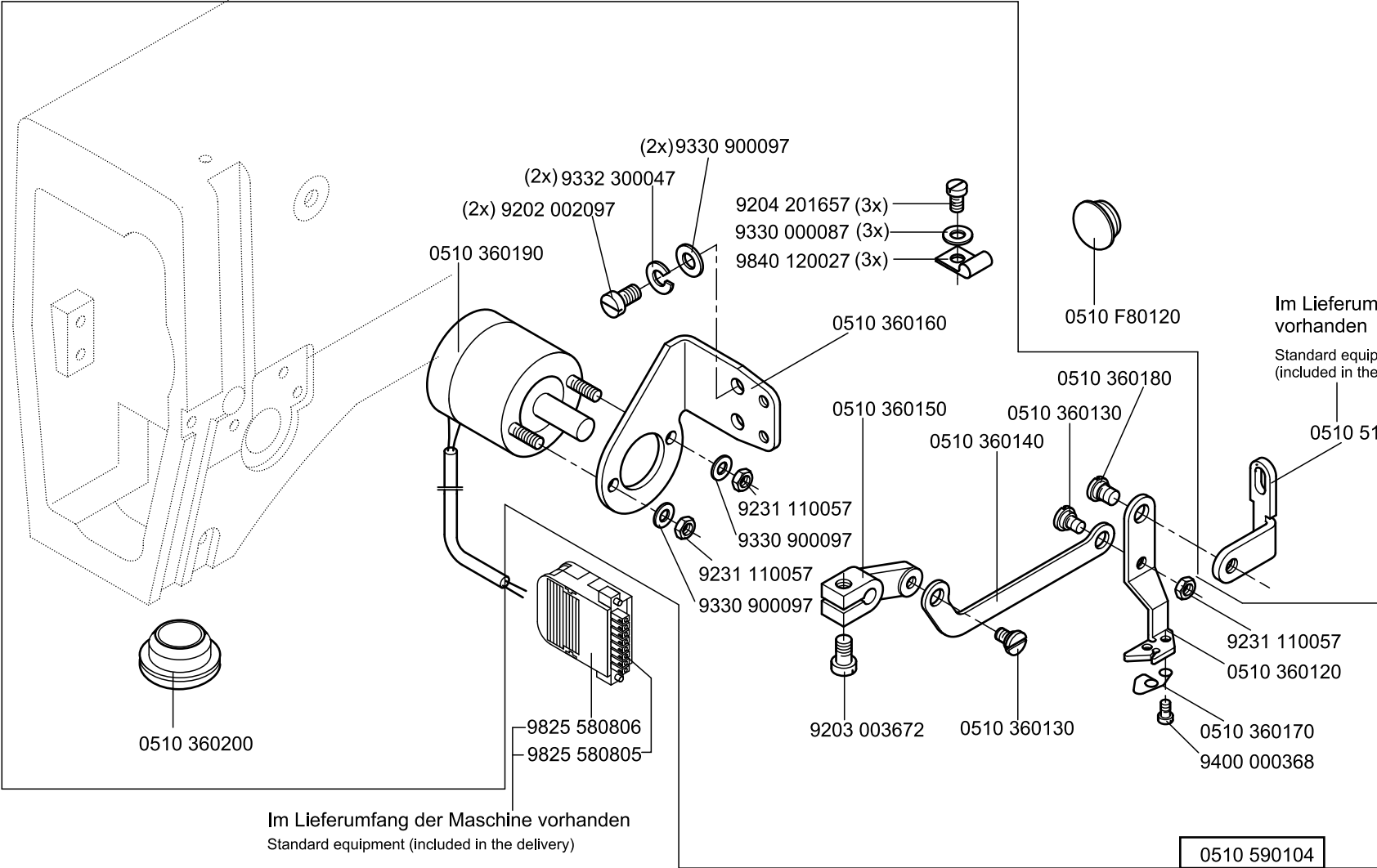
9800 330012

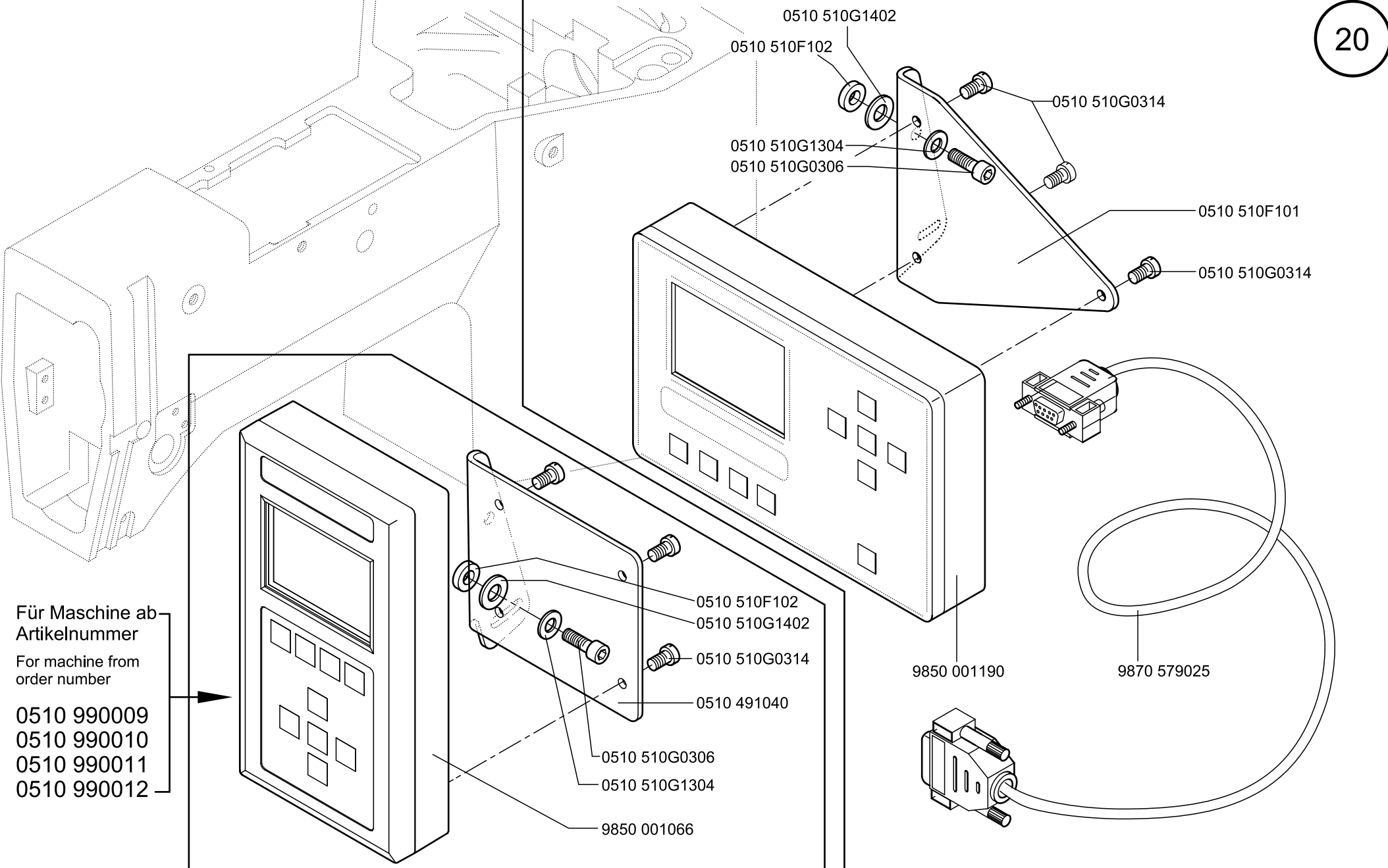
9870 510007

9870 806016

X

Y



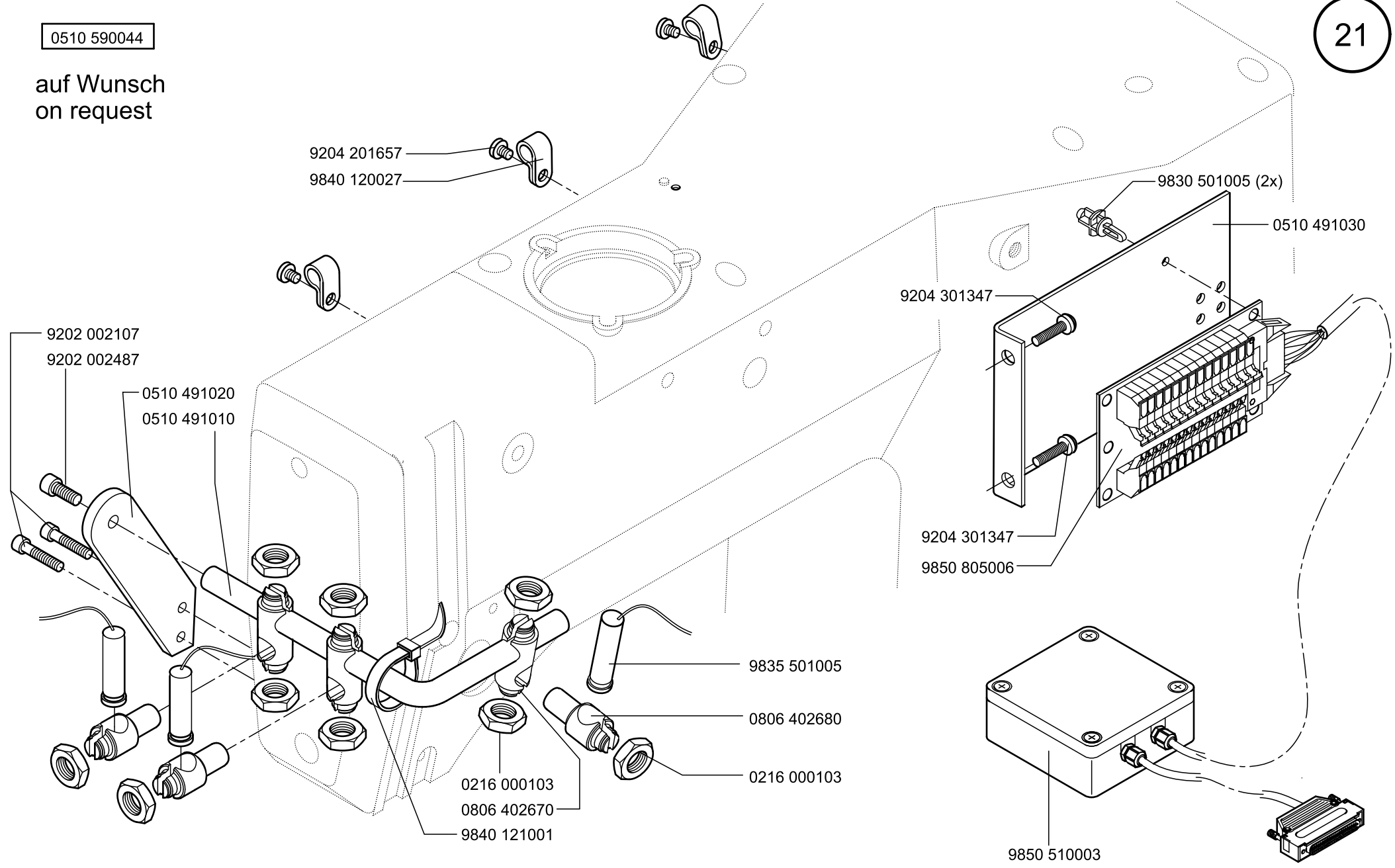


Für Maschine ab
Artikelnummer
For machine from
order number

- 0510 990009
- 0510 990010
- 0510 990011
- 0510 990012

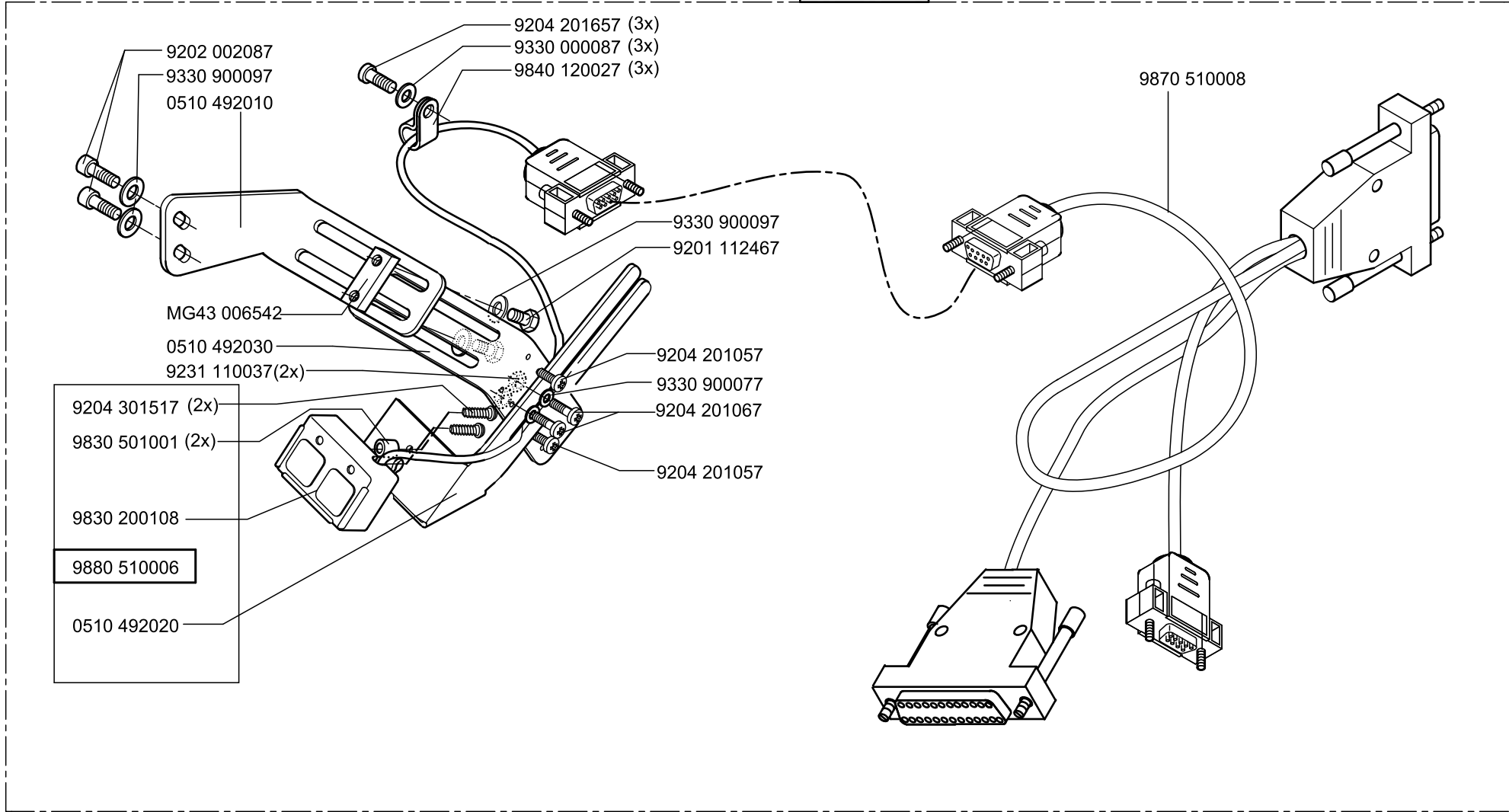
0510 590044

auf Wunsch
on request



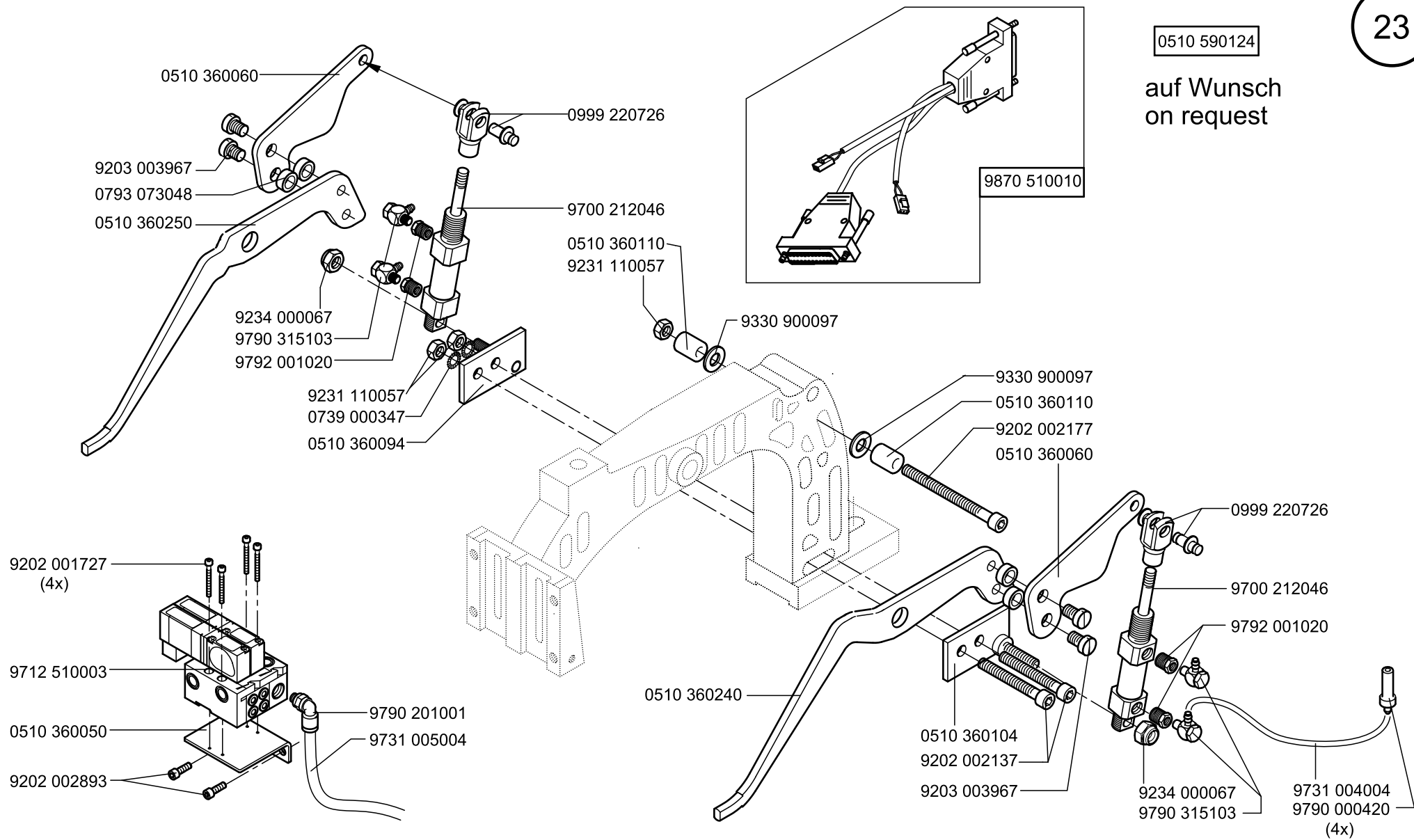
auf Wunsch
on request

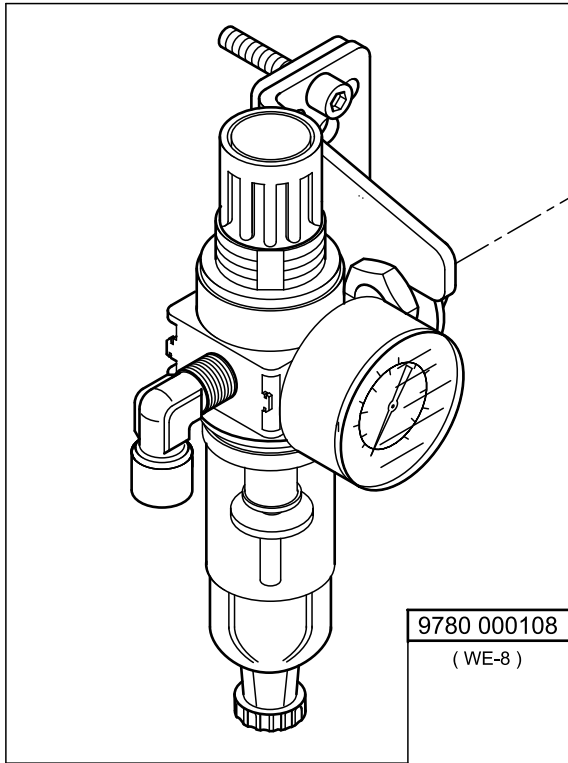
0510 590054



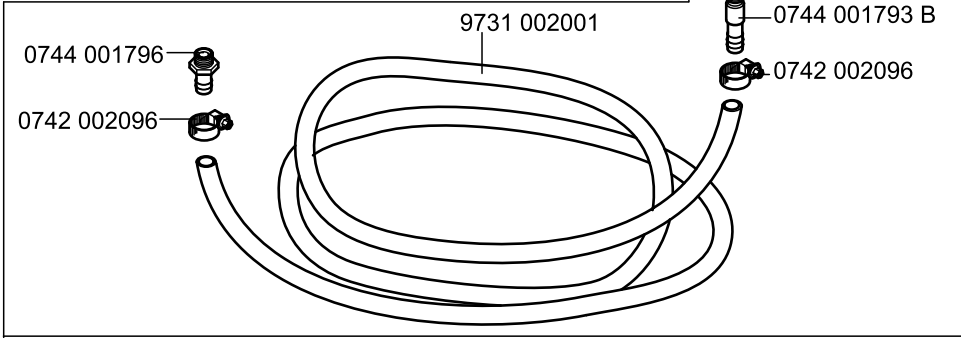
0510 590124

auf Wunsch
on request

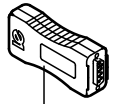




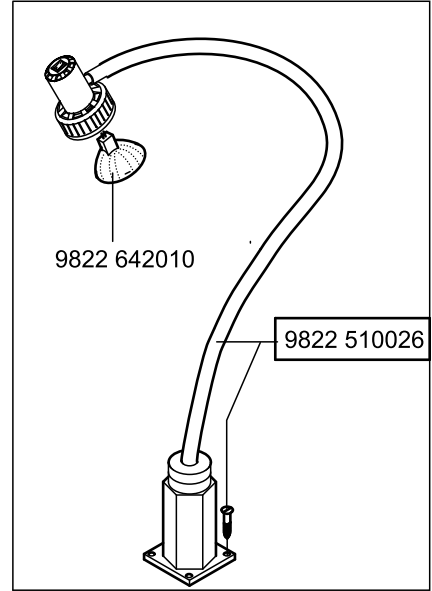
0999 240392



auf Wunsch
on request

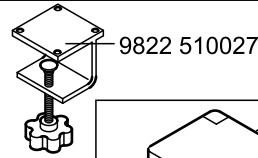


9850 510004 GP01
(mit 510 - Software)
(with 510 - software)

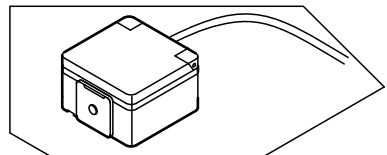


9822 642010

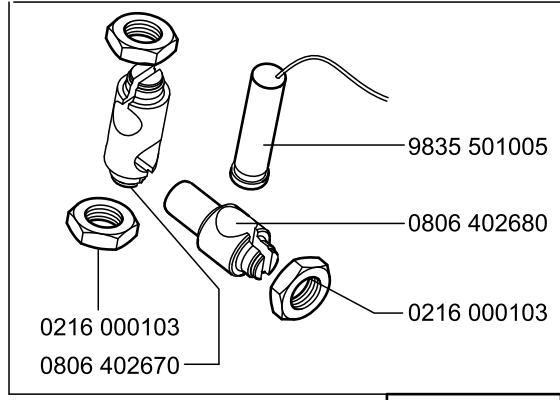
9822 510026



9822 510027



9870 001021



9835 501005

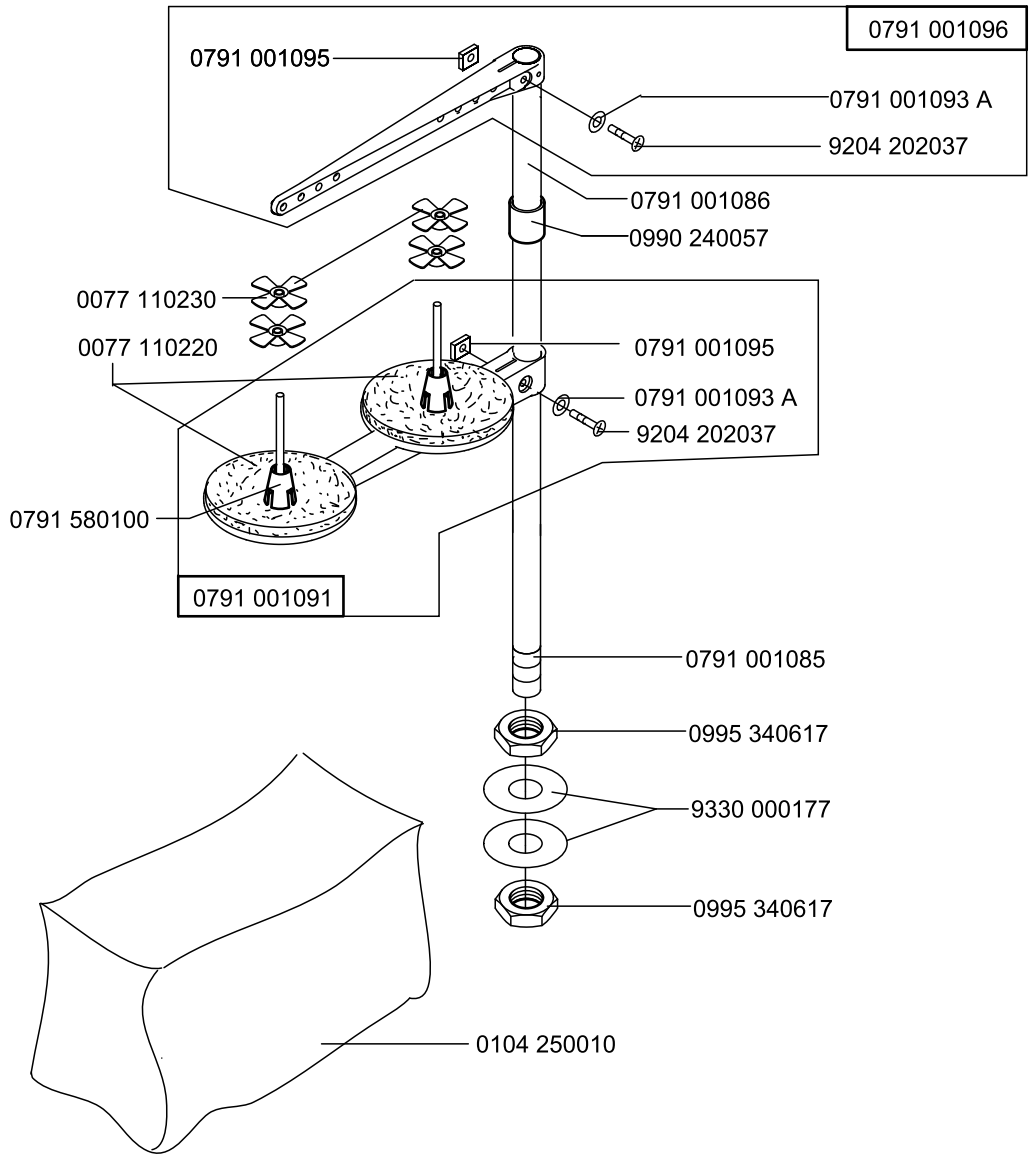
0806 402680

0216 000103

0216 000103

0806 402670

0510 590034



0791 001096

0791 001095

0791 001093 A

9204 202037

0791 001086

0990 240057

0077 110230

0077 110220

0791 001095

0791 001093 A

9204 202037

0791 580100

0791 001091

0791 001085

0995 340617

9330 000177

0995 340617

0104 250010

Teilenummer Part No.	Bezeichnung/Description		Seite Page
	D	GB	
0077 110220	Auflage	Filt	24
0077 110230	Zentrierstück	Centering piece	24
0104 250010	Haube G5	Machine cover	24
0216 000103	6KT.MUTTER M10x1	Nut M10	21, 24
0220 002960	Zugfeder	Spring	5
0510 100010	Kurbel	Crank	6
0510 100020		Thread trimmer cam no. 2	10
0510 150014	Greifer K, Gross	Hook, Large asm	6
0510 150020	Treiber	Shuttle Driver	6
0510 150030	Greifer	Inner Hook	6
0510 150040	Spulenkapsel	Bobbin case asm	6
0510 150050	Spule	Bobbin	6
0510 1818-282-NOO		Inner Hook	6
0510 350014	Fadenabschneider K	Thread cutter asm	8
0510 350020	Stichplatte	Needle plate	8
0510 350033	FADENZIEHMESSER V	Moving knife	8
0510 350060	GEGENMESSER	Fixing knife	8
0510 350070	ANSATZSCHRAUBE	Hinge screw	8
0510 350080	KOPPEL	Moving knife link	8, 9
0510 350093	HEBEL V	Moving knife driving lever asm large	8, 9
0510 350123	HEBEL V	Moving knife driving lever asm small	8, 9
0510 350150	SCHEIBE	Moving knife washer	8
0510 350160	Stichlocheinsatz 1,6	Needle hole guide 1.6	8
0510 350170	Stichlocheinsatz 2,2	Needle hole guide 2.2	8
0510 350180	Stichlocheinsatz 1,6	Needle hole guide 1.6	8
0510 350190	Stichlocheinsatz 2,2	Needle hole guide 2.2	8
0510 350200	HUELSE	Collar	8, 9
0510 350210	ADAPTER	Thread cutter lever shaft	8, 9
0510 360010	Halterung	Holder	5
0510 360020	FLANSCH	Flange	5
0510 360030	GABEL	Connector	5
0510 360040	BOLZEN	Pin	5
0510 360120	FADENWISCHER	Wiper	19
0510 360130	SCHRAUBE SCHARNIER	Screw	19
0510 360140	WISCHERGLIED	Wiper connecting arm	19
0510 360150	WISCHERARM	Wiper hinge	19
0510 360160	MAGNETHALTER	Solenoid installing plate	19
0510 360170	FEDER	Spring	19
0510 360180	ANSATZSCHRAUBE	Hinge Screw 6.35x2.1	3, 19
0510 360190	FADENWISCHERMAGNET	Solenoid	19
0510 360200	STOPFEN	Rubber plug	19
0510 360210	Schaltfahne	Sensor plate	4
0510 360220	Winkel	Elbow	4
0510 491010	Buegel	Holder	21
0510 491020	Lasche	Clip	21
0510 491030	ADAPTERBLECH	Base plate	21
0510 491040		Panel connecting plate BF3	20
0510 492010	Winkel	Installing base A	22
0510 492020	Aufnahme	Retainer	22
0510 492030	Haltearm	Installing base B	22
0510 5100101		Face plate asm.	15
0510 5100102		Face packing	15
0510 5100103		Balance cover	7
0510 5100104		Rubber plug	15
0510 5100105		Bed cover B	15
0510 5100106		Top cover	15
0510 51001071		Sewing arm	15

Teilenummer Part No.	Bezeichnung/Description		Seite Page
	D	GB	
0510 51001072		Ground plate	15
0510 5100108		Connector plate	15
0510 5100109		Adjusting cushion	15
0510 5100110		Safety cover	15
0510 5100111		Rubber stopper	15
0510 5100112		Rubber plug	15
0510 5100113		Bed cover A	15
0510 5100114		Rubber plug	15
0510 5100115		Hinge stud	15
0510 5100116		Hinge rubber	15
0510 5100117		Bed hinge	15
0510 5100118		Oil pan asm.	15
0510 5100119		Spring plate	15
0510 5100120		Adjusting cushion	15
0510 5100121		Rubber plug	15
0510 5100201		Pulley	2
0510 5100202		Hand Pulley Gear B	2
0510 5100203	Schraube	Screw	2
0510 5100204		Counter weight	2
0510 5100205		Hand Pulley Gear A	2
0510 5100206		Main shaft	2
0510 5100207		Thrust collar asm	2
0510 5100208		Main motor connector	2
0510 51002090		Coupling Asm	2
0510 5100301		Balance Crank PIN	1
0510 5100303		Needle bar clamp	1
0510 5100304		Needle rod lower metal	1
0510 5100305		Left screw	1
0510 5100306		Needle rod crank	1
0510 51003070		Thread take-up lever	1
0510 5100308		Needle bar	1
0510 5100309Z		Link Balance Asm	1
0510 5100310Z		Needle bar connecting asm	1
0510 5100401		Spring suspension	4
0510 5100402	Feder	Spring	4
0510 5100403		Plate	4
0510 5100404	Schraube 8x3.4	Screw 8x3.4	4
0510 5100405	Schraube 10x4	Screw 10x4	4
0510 5100406		Presser lifting shaft	4
0510 5100407		Connecting Arm	4
0510 5100408		Lowering foot	4
0510 5100409		Thrust collar asm	4
0510 5100410		Presser solenoid link	4
0510 5100411		Hinge Screw 6.35x3.9	4, 7
0510 5100412		Lifting Link A	4
0510 5100413		Oil pump support	4
0510 5100414		Lifting Link B	4
0510 5100415		Screw 7.94x6	4
0510 5100416		Lifting Link C	4
0510 51005010		Cylinder asm cap	6
0510 5100502		Hook cover presser spring A	6
0510 5100503		Hook cover presser spring B	6
0510 5100504		Shuttle	6
0510 5100505		Thrust collar asm. 8x8	6, 10
0510 5100506		Gear	6
0510 51005070		Crank rod asm	6
0510 51005071		Crank rod	6

Teilenummer Part No.	Bezeichnung/Description		Seite Page
	D	GB	
0510 51005072		Rod cover	6
0510 5100508		Thrust collar asm D=12 W=10	6
0510 5100509		Inner hook presser spring	6
0510 5100510		Shuttle race adjusting shaft	6
0510 5100511		Shuttle upper spring	6
0510 5100512		Shuttle Driver	6
0510 5100513		Thrust collar	6
0510 5100514		Oscillator	6
0510 5100515		Hinge screw 8x10.2	6
0510 5100517Z		Driver asm	6
0510 5100518Z		Shuttle asm	6
0510 51006010		Wiper Asm 50 mm	3
0510 5100602		Wiper base plate	3
0510 5100602G		Wiper base plate	19
0510 5100603		Oil shield cap	3
0510 5100604		Wiper connecting plate	3
0510 5100605		Wiper connecting screw	3
0510 5100606		Hinge Screw 5.3x2.2	3
0510 51006080		Wiper Asm 47 mm	3
0510 5100701		Tension release adjusting arm	7
0510 5100702		Suspension screw	7
0510 5100703	Schraube	Screw	7
0510 5100704		Tension nut	7
0510 5100705		No. 1 thread tension spring	7
0510 5100706		Thread tension rod no. 1	7
0510 5100707		Hinge Screw 6.35x4.8	7
0510 5100708		L-shaped thread guide A	7
0510 5100709		Hinge Screw	7
0510 5100710		Tension spring no. 2	7
0510 5100711		Tension release link	7
0510 5100711Z		No. 1 thread tension asm	7
0510 5100712		Screw 5.3x2.2	7
0510 5100712Z		No. 2 thread tension asm	7
0510 5100713		Thread guide	7
0510 5100714		Take up spring	7
0510 51007150		Thread tension nut A	7
0510 5100716		Tension spring no. 2	7
0510 5100717		Thread tension rod large	7
0510 5100718		Thread tension rod no. 2	7
0510 5100719		Take up spring	7
0510 5100720	Scheibe	Washer	7
0510 5100801		Connecting bar	10
0510 5100802		Tension release arm pin	10
0510 5100803		Thread trimmer cam no. 1	10
0510 51008040		Cam follower asm.	10
0510 5100805		Hinge screw 5x8	10
0510 5100806		Thread release arm	10
0510 5100807		Cam Follower stopper	9
0510 5100808		Solenoid pin	9
0510 5100809		Hinge screw 7.94x3.1	9
0510 5100810		Hinge screw 6.5x3	10
0510 5100811		Thread trimmer link	10
0510 5100812		Hinge screw 11x3	10
0510 5100813		Roller shaft screw	10
0510 5100814		Tension spring adjusting screw	10
0510 5100815		Solenoid installing base	9
0510 5100816		Solenoid for thread trimming	9

Teilenummer Part No.	Bezeichnung/Description		Seite Page
	D	GB	
0510 5100816Z		Tread trimming solenoid asm	9
0510 5100901		Needle plate	9
0510 5100902		Hinge screw	9
0510 5100905Z		Thread cutter asm.	9
0510 5101001		X feed arm	13
0510 5101002		X feed sensor installing base	13
0510 5101003		Bushing rear	13
0510 5101004		Y feed arm	13
0510 5101101		Work clamp foot face plate	11
0510 5101102		Feed bracket	11
0510 5101103		Support plate	11
0510 5101104		Ball retainer	11
0510 5101105		Nut	2
0510 51011050		Lever driving plate asm.	11
0510 5101106		Spring suspension	11
0510 5101107		Cloth presser spring	11
0510 5101108		Feed plate	11
0510 5101109	Schraube	Screw	11
0510 5101110		Lifting lever shaft	11
0510 5101111		Lifting lever right	11
0510 5101112		Lifting lever left	11
0510 5101113		Finger safeguard	11
0510 5101210		Bobbin fitting basis compl.	14
0510 5101202		Latch spring	14
0510 5101203		Bobbin lever	14
0510 5101204		Thread cutter	14
0510 51012050		Bobbin cam shaft compl.	14
0510 5101206		Thread tension nut	14
0510 5101207		Thread tension spring	14
0510 51012080		Thread tension rod compl.	14
0510 5101209Z		Bobbin winder asm.	14
0510 5101210Z		Bobbin thread tension asm.	14
0510 51013010		Oil Gauge	16
0510 5101302		Oil pump support	16
0510 5101303		Oil pump base	16
0510 5101304		Shuttle lubricating plate	16
0510 5101305		Oil pump lever	16
0510 5101306		Balance lubricating plate	16
0510 5101308		Shuttle felt	16
0510 5101309		Oil pour guide fixer	16
0510 5101310	Trichter	Oil pour guide	16
0510 5101311		Hose	16
0510 5101313		Oil suction felt	16
0510 5101314		Filter clip	16
0510 5101401		Safety Plate Installing Base	1
0510 5101402		Tension Spring Rack	1
0510 5101403		Safety Plate Return Spring	1
0510 5101404		Hince Screw 6X11	1
0510 51014050		Safety Plate Installing Plate	1
0510 5101501		Feed plate A	12
0510 5101502		Finger guard	12
0510 5101503G		Work clamp foot left	12
0510 5101504G		Work clamp foot right	12
0510 51015051		Workclamp holder plate A	12
0510 51015052		Pick-up guide	12
0510 5101506		Screw	12
0510 5101508		Workclamp holder plate B	12

Teilenummer Part No.	Bezeichnung/Description		Seite Page
	D	GB	
0510 5101509	Schraube	Screw	12
0510 51015100		Connecting plate	12
0510 5101511		Threaded rod link	12
0510 51015120		Threaded rod asm.	12
0510 5101513		Collar	12
0510 5101514		Installing shaft	12
0510 5101515		Feed plate B	12
0510 5101517		Lever shaft	12
0510 5101518		Work clamp foot lifting plate	12
0510 5101519		Fastening angle	12
0510 5101520		Installing shaft	12
0510 5101523G		Presser sleeve	12
0510 51015280		Pick-up installing base	12
0510 5101529		Installing base	12
0510 5101530G		Presser	12
0510 5101531G		Connecting plate	12
0510 5101534		Plate	12
0510 5101535		Cover plate	12
0510 5101536		Thread tension post nut	12
0510 5101537G		Presser shaft	12
0510 51015390G		Food holder left	12
0510 5101540		Shoulder screw	12
0510 51015410G		Food holder right	12
0510 5101543	Schraube	Screw	4
0510 510516		Connecting arm	12
0510 510BW01		Plate	15
0510 510F101		Panel connecting plate BF2	20
0510 510F102		Rubber ring	20
0510 510F103		Holder sensor	2
0510 510F104		180° plate	2
0510 510FJ101	Schraube M4X6	Screw M4x6	1
0510 510FJ102	Schraube M4X4	Screw M4x4	8, 9
0510 510FJ103	Schraube M4x6	Screw M4x6	7
0510 510FJ104	Schraube M4x5	Screw M4x5	6
0510 510FJ105	Schraube M4x10.5	Screw M4x10.5	6
0510 510FJ106	Schraube M5x6	Screw M5x6	11, 13
0510 510FJ107	Schraube M6x11	Screw M6x11	1
0510 510FJ108	Schraube M4x6	Screw M4x6	11
0510 510FJ202	Schraube	Screw	9
0510 510FJ30	Schraube M2,5x2,2	Screw M2,5x2,2	9
0510 510FJ301	Schraube M2,5x2,2	Screw M2,5x2,2	8
0510 510FJ302	Schraube M4x5,5	Screw M4x5,5	8
0510 510FJ402	Schraube M4x7	Screw M4x7	11
0510 510FJ403	Schraube M4x8.5	Screw M4x8.5	11
0510 510FJ501		Nut 1/4x40	9
0510 510FJ502		Nut 1/4x40	9
0510 510FZ101	Oeldocht	Oil wick	16
0510 510FZ102	Oeldocht	Oil wick	16
0510 510FZ201	Oeldocht	Oil wick	16
0510 510FZ203	Oeldocht	Oil wick	16
0510 510FZ204	Oeldocht	Oil wick	16
0510 510FZ205	Oeldocht	Oil wick	16
0510 510FZ206	Oeldocht	Oil wick	16
0510 510FZ207	Oeldocht	Oil wick	16
0510 510FZ208	Oeldocht	Oil wick	16
0510 510G0101	Schraube M4x6	Screw M4x6	8, 9
0510 510G0102	Schraube M4x8.5	Screw M4x8	7

Teilenummer Part No.	Bezeichnung/Description		Seite Page
	D	GB	
0510 510G0103		Screw M4x15	16
0510 510G0104		Screw M5x5	4
0510 510G0105		Screw M5x12	13
0510 510G0106		Screw M6x12	6, 15
0510 510G0201		Screw M2.5x3	6
0510 510G0203		Screw M3x4	16
0510 510G0204		Screw M3x3	1
0510 510G0205		Screw M3x6	14
0510 510G0206		Screw M4x6	9, 13, 15, 16
0510 510G0207		Screw M4x6	7, 15
0510 510G0208		Screw M4x8	4, 16
0510 510G0209		Screw M4x8	1, 3, 7, 12
0510 510G0210		Screw M4x10	15, 16
0510 510G0211		Screw M4x10	15
0510 510G0212		Screw M5x6	9
0510 510G0213		Screw M5x6.5	11
0510 510G0214		Screw M5x8	2, 9, 16
0510 510G0216		Screw M5x10	4, 7, 9, 16
0510 510G0217		Screw M5x12	6, 14
0510 510G0218		Screw M5x12	15
0510 510G0219		Screw M6x8	7
0510 510G0220		Screw M6x12	4
0510 510G0301		Screw M4x6	10
0510 510G0302		Screw M4x6	11
0510 510G0303		Screw M4x12	2
0510 510G0304	Schraube M5x12	Screw M5x12	6
0510 510G0305	Schraube M5x15	Screw M5x15	2
0510 510G0306	Schraube	Screw	20
0510 510G0307		Screw M6x10	13
0510 510G0308		Screw M6x12	2
0510 510G0309		Screw M6x18	4, 12
0510 510G0310		Screw M6x22	11
0510 510G03103		Screw M6x60	15
0510 510G0311		Screw M6x25	2
0510 510G0312		Hexagonal hole bolt M6x80	15
0510 510G0314	Schraube	Screw	20, 12
0510 510G0315	Schraube	Screw	12
0510 510G0316	Schraube	Screw	12
0510 510G0317.	Schraube	Screw	12
0510 510G0318	Schraube M5	Screw M5	12
0510 510G0319	Schraube	Screw	12
0510 510G0401		Screw M3x3	11
0510 510G0402		Screw M5x4	2, 6
0510 510G0403		Screw M5x5	2
0510 510G0404		Screw M6x5	11
0510 510G0405		Screw M6x6	2
0510 510G0406		Screw M6x0.75x6	2, 6
0510 510G0501		Screw M3x6	7
0510 510G0601		Screw M5x5	10, 15
0510 510G0602		Screw M5x6	14
0510 510G0603		Screw M5x30	10
0510 510G0604		Screw M6x6	13
0510 510G0605		Screw M6x8	4, 6
0510 510G0606	Schraube	Screw	7
0510 510G0607	Schraube M6x0.75x8	Screw M6x0.75x8	2, 10, 13
0510 510G0701	Schraube M3x12	Screw M3x12	13
0510 510G0702	Schraube M4x12	Screw M4x12	13

Teilenummer Part No.	Bezeichnung/Description		Seite Page
	D	GB	
0510 510G0801	Schraube M6x0.75x14	Screw M6x0.75x14	2
0510 510G0901		Tapping screw	15
0510 510G1001	Schraube M5x12	Screw M5x12	16
0510 510G101	Schraube M4x6	Screw M4x6	16
0510 510G1101		Nut M4	1, 7, 9, 14
0510 510G1102		Nut M4	10
0510 510G1103		Nut M5	7, 10
0510 510G1104		Nut M5	1, 12
0510 510G1105		Nut M6	4, 10
0510 510G1106		Nut M6	15
0510 510G1107		Nut M6x0.75	6
0510 510G1201	Scheibe	Washer	12
0510 510G1202	Scheibe 6	Washer 6	4, 11
0510 510G1301	Scheibe 3	Washer 3	13
0510 510G1302	Scheibe 4	Washer 4	1, 13
0510 510G1303	Scheibe 5	Washer 5	10, 13
0510 510G1304	Scheibe 5	Washer 5	15, 20, 12
0510 510G1305	Scheibe	Washer	2
0510 510G1401	Scheibe 6	Washer 6	11, 15, 12
0510 510G1402	Scheibe	Washer	20
0510 510G1403	Scheibe	Washer	12
0510 510G1601		Spring washer 3	13
0510 510G1602		Spring washer 4	13
0510 510G1701		E-Ring 3	6
0510 510G1702		E-Ring 4	9, 12
0510 510G1703		E-Ring 5	14
0510 510G1704		E-Ring 6	11, 12
0510 510G1705		E-Ring 9	6
0510 510G1801		Retaining Ring 5	3
0510 510G1802		Retaining ring	14
0510 510G1901		Pin	6
0510 510G2001		Hook cover presser spring Pin	6
0510 510G2002		Pin	12
0510 510G2101		Spring Pin 2x6	1
0510 510G2102		Spring Pin 4x14	2
0510 510G2501	Schraube	Screw	12
0510 510G2503	Schraube	Screw	12
0510 510G2504	Schraube	Screw	12
0510 510G2801	Schraube	Screw	2
0510 510GB308		Work clamp foot mounting base	11
0510 510GB3452		Rubber ring	14
0510 510SG103		Vinyl pipe	16
0510 510SG201		Vinyl pipe	16
0510 510SG202		Vinyl pipe	16
0510 510SG203		Vinyl pipe	16
0510 510SG204		Vinyl pipe	16
0510 510SG205		Vinyl pipe	16
0510 510SG206		Vinyl pipe	16
0510 510SG301		Vinyl pipe	16
0510 510SG302		Vinyl pipe	16
0510 510SG303		Vinyl pipe	16
0510 590034	Lasererg. Leuchte K	Laser asm.	24
0510 590044	Lasermarkierung K	Laser asm.	21
0510 590054	Handtaster K	Hand push button asm.	22
0510 590104	Fadenwischer K el.	Electronic wiper asm.	19
0510 6302NR.ZZ		Upper shaft rear bearing	2
0510 86BYG103XA		X feed stepping motor	13

Teilenummer Part No.	Bezeichnung/Description		Seite Page
	D	GB	
0510 86BYGT03YA		Y feed stepping motor	13
0510 B2421-280-OAO		Moving knife	9
0510 B2424-280-000		Fixing knife	9
0510 CZ-150		cable band	16
0510 D280106		Bed cover packing B	15
0510 D280113		Frame support bar	15
0510 D280119		Bed cover packing A	15
0510 D280202		Handwheel setscrew	2
0510 D280204	Feder	Spring	2
0510 D280205		Pulley shaft	2
0510 D280207		Main shaft front bushing	2
0510 D280208A		Bobbin winder driving wheel	2
0510 D280211		Main shaft center wheel	2
0510 D280220		Cushion	2
0510 D280406		Connecting rod	4
0510 D280407		Arm	4
0510 D2804110		Presser lifting solenoid asm	4
0510 D280412		Lifting Link D	4
0510 D280419		Magnet pin	4
0510 D280420		Split pin	4
0510 D2804210		Rubber bush	4
0510 D280422		Location plate	4
0510 D280502		Inner hook presser asm	6
0510 D280504		Shuttel driver shaft	6
0510 D280506		Oscillating eccentric shaft	6
0510 D280510		Inner Hook presser asm	6
0510 D280511		Bobbin case asm	6
0510 D280514	Scheibe	Washer	6
0510 D280515		Bobbin	6
0510 D280516		Lower shaft thrust washer	6
0510 D280517		Inner hook presser asm	6
0510 D280703		Pressure spring	7
0510 D280704		Adjusting arm stopper	7
0510 D280705		Thread guide no. 1	7
0510 D280710		Tension release connecting rod	7
0510 D280711G		Tension release pin	7
0510 D280802		Tension release notch	10
0510 D2808060		Connecting rod	10
0510 D280808	Feder	Spring	10
0510 D280810		Thread trimmer shaft	10
0510 D280813		Solenoid arm	9
0510 D280817	Scheibe	Washer	9
0510 D280818		Clothplate washer	10
0510 D280819		Roller	10
0510 D280821		Thread trimmer link spring	10
0510 D280823	Feder	Spring	9
0510 D281001		Feed plate support plate	11
0510 D281003		X feed sensor slit	13
0510 D281004		X feed gear	13
0510 D281007		Y feed gear	13
0510 D281008		Y feed shaft	13
0510 D281009		Hinge stud	13
0510 D281010		Y feed sensor installing base	13
0510 D281011		Y feed sensor slit	13
0510 D281012		Slide block stud	13
0510 D281103		Cloth feed presser plate	11
0510 D281104		Feed plate A 510-211	11

Teilenummer Part No.	Bezeichnung/Description		Seite Page
	D	GB	
0510 D281115		Work clamp food right	11
0510 D281116		Work clamp food left	11
0510 D281117		Feed plate A 510-213	11
0510 D281202		Cushion	14
0510 D281204		Bobbin winder spindle bushing	14
0510 D281205		Bobbin wider	14
0510 D281206		Bobbin winder spindle	14
0510 D281209		Vertical roller washer	14
0510 D281214		Adjusting plate	14
0510 D281215	Feder	Spring	14
0510 D281216		Presser foot spring	14
0510 D281219		Rubber ring	14
0510 D281301		Driver shaft oil shield	16
0510 D281302		Oil felt	16
0510 D281307		Crank rod oil shield	16
0510 D281308		Needle rod crank lubricating	16
0510 D281309		Oil shield felt	16
0510 D281310		Felt presser	16
0510 D8.01-32		Ground mark	15
0510 D8.01-33		Rubber cushion	15
0510 D8.02-1		Needle rod crank washer	7, 10
0510 D8.02-1		Needle rod crank washer	2
0510 D8.04-5.2		Wiper connecting arm asm	3
0510 D8.04-6	Feder	Spring	3
0510 D8.04-7		Wiper connecting link	3
0510 D8.05-10		Rotating stopper	7
0510 D8.05-15		Thread tension disk	7
0510 D8.05-22		Thread guide plate	7
0510 D8.05-23		Arm thread guide B	7
0510 D8.05-24		Arm thread guide A	7
0510 D8.05-4		Tension release bar	7
0510 D8.05-6		Thread tension arm	7
0510 D8.05-8		Thread tension disk presser	7
0510 D8.07-14		Work clamp food right	11
0510 D8.07-15		Work clamp food left	11
0510 D8.07-16		Finger guard	11
0510 D8.07-21	Scheibe	Washer	11
0510 D8.08-11		Feed driving arm shaft	13
0510 D8.08-13		Square block B	13
0510 D8.13-2		Oil felt	16
0510 D8.13-6		Balance lubrication	16
0510 D8.14-4-DA		Shuttle needle outer ring	6
0510 D8.14-5	Scheibe	Washer	6
0510 D8.14-9-DA		Lower shaft rear metal	6
0510 D8.15-1		Needle rod metal	1
0510 D8.15-11		Needle bar crank rod	1
0510 D8.15-3		Thread Take-up crank	1
0510 D8.19-1		Safety Plate	1
0510 D8.21-20		shaft block shaft	4
0510 D8-15-12		Square block	1
0510 D816-11		Needle hole guide (standard)	9
0510 D816-13		Moving knife washer	9
0510 D816-14		Needle hole guide (heavyweight)	9
0510 D816-15		Needle hole guide (knitwear)	9
0510 DGJ-2		Cable clip	9
0510 DKS081110		Needle driving lever bearing	1, 6
0510 DKS081208		Needle bushing	1

Teilenummer Part No.	Bezeichnung/Description		Seite Page
	D	GB	
0510 E380207		Needle bar thread guide	1
0510 E380307		Presser spring	12
0510 E380342		Collar	12
0510 E380343	Scheibe	Washer	12
0510 F80120		Rubber plug	19
0510 JD01		Solenoid rubber	9
0510 SJ08.A18-8	Scheibe	Washer	7
0510 SJ08A.21-5		Bobbin winder tension disc	14
0510 T510G0106	Schraube M6x12	Screw M6x12	13
0510 TLP1201A		Sensor	13
0510 TLP1204(3)		Photo sensor	13
0510 Y01.06-1		Tension disk presser tube	7
0510 Y01.13-3-DA		Oil wick presser	16
0510510FJ302	Schraube M4x5,5	Screw M4x5,5	9
0530 5300302		Connecting arm	12
0530 5300304		Work clamp foot spring holder	12
0530 5300336	Schraube	Screw	12
0699 979100		Vinyl pipe	16
0700 000043	Schubkasten KS	Drawer	17
0700 000044	Führungsleiste KS	Guide bar	17
0700 000045	Platte	Plate	17
0700 000050	Einlage	Filt	17
0700 051002	Tischplatte	Table top	17
0718 000254	Stange	Rod	17
0739 000347	Zahnscheibe	Toothed washer	23
0742 002096	IDEAL-SHELLE	Clamp	23
0744 001793 A	KUPPLUNGSDOSE	Connector	23
0744 001793 B	KUPPL.STECKER	Connector plug	23
0744 001796	SCHLAUCHTUELLE	Hose clip	23
0744 001819	DOPPELNIPPEL	Double nipple	23
0791 001085	Garnständerrohr kurz	Thread spool holder rod B	24
0791 001086	Garnständerrohr	Thread spool holder rod A	24
0791 001091	Garnhaltearm	Thread spool holder arm	24
0791 001093 A	Scheibe A5,5	Washer 5	24
0791 001095	Mutter M5	Nut M5	24
0791 001096	Fadenführung K	thread guide asm.	24
0793 073048	Buchse	Bushing	23
0797 003031	Druckleitung K	Tube asm.	23
0806 402670	KLEMMSTUECK	Clamping peace	21, 24
0806 402680	KLEMMSTUECK	Clamping peace	21, 24
0933 001544	Ölpumpe K	Oil pump asm.	16
0990 240057	Muffe	Socket	24
0995 340617	6kt. Mutter PG 11x9	Nut 11x9	24
0998 880560	PASSSCHEIBE 5X10X0,1	Shim ring	8
0999 220752	Oeldocht	Oil wick	16
0999 240303	DOPPELNIPPEL	Double nipple	23
0999 240341	SCHOTTVERSCHR.	Connection	23
0999 240392	WI-E -VERSCHR.	WI-E connection	23
9092 013400 080	NADEL	Needle	1
9092 013400 090	NADEL	Needle	1
9092 013400 100	NADEL	Needle	1
9092 013400 110	NADEL	Needle	1
9092 013500 100	NADEL	Needle	1
9092 013500 110	NADEL	Needle	1
9092 013500 120	NADEL	Needle	1
9110 011141		Coupling	2
9201 112467	6KT.SCHR. M4x10	Screw M4x10	22

Teilenummer Part No.	Bezeichnung/Description		Seite Page
	D	GB	
9201 112917	6kt. Schraube M5x20	Screw M5x20	12
9201 113697	6kt. Schr. M8x16	Screw M8x16	17
9202 001727	ZYL.SCHR. M3X30	Screw M3x30	5
9202 002087	ZYL.SCHR. M4x12	Screw M4x12	22
9202 002097	ZYL.SCHR. M4X16	Screw M4x16	19
9202 002107	ZYL.SCHR.	Screw	21
9202 002487	ZYL.SCHR.	Screw	21
9202 002527	Zyl. Schr. M5x30	Screw M5x30	18
9202 002887	ZYL.SCHR. M6X12	Screw M6x12	5, 17
9202 002893	ZYL.SCHR. M6X16	Screw M6x16	5
9203 003672	ZYL.SCHR. M4X12	Screw M4x12	19
9203 003967	ZYL.SCHR.	Screw	23
9203 144251	FLACHKOPFSCHR. M6X4	Screw M6x4	5
9204 201057	LINSENSCHR. M3x8-H	Screw M3x8	22
9204 201067	LINSENSCHR. M3x10-H	Screw M3x10	22
9204 201657	LINSENSCHR.M4X8-H	Screw M4x8	19, 21, 22
9204 202037	Linsenschraube M5x25-H	Screw M5x25	24
9204 301347	LINSENSCHR.	Screw	21
9204 301517	LINSENSCHR. KB25X14	Screw	22
9205 021808	GEW.STIFT M2X2	Set screw M2x2	8
9207 170227	Spanpl. Schrauben 3,5x17	Screw 3,5x17	17
9207 170437	Spanpl. Schr. 4x20	Screw 4x20	18
9207 170857	Spanpl. Schr. 5x30	Screw 5x30	18
9207 171057	Spanpl. Schrauben 6x30	Screw 6x30	17
9231 110037	6KT.MUTTER M3	Nut M3	22
9231 110057	6KT.MUTTER M4	Nut M4	19
9231 110127	6kt. Mutter M6	Nut M6	17
9231 110128	6KT.MUTTER M6	Nut M6	5
9231 110137	6kt. Mutter M8	Nut M8	17
9231 112147	6KT.MUTTER M10X1,25	Nut M10x1.25	5
9330 000087	SCHEIBE A4,3	Washer 4	8, 9, 19, 22
9330 000107	Scheibe A6,4	Washer 6	17
9330 000127	Scheibe A8,4	Washer 8	17
9330 000177	Scheibe B19	Washer	24
9330 900077	SCHEIBE A3,2	Washer 3	22
9330 900097	SCHEIBE A4,3	Washer 4	19, 22, 23
9330 900117	Scheibe B6,4	Washer 6	17
9332 300047	FEDERRING 4	Spring ring	19
9357 000090	SICH.SCHEIBE RA7	Retaining Ring 7	5
9357 200056	Kugelzapfen	Ball pivot	17
9357 200106	Kugelpfanne	Ball Seat	17
9400 000368	LINSENSCHR. M2,5X2,6	Screw M2.5x2.6	8, 19
9700 212072	ZYLINDER,DOPPEL D25X25	Cylinder	5
9710 063000	Ventil, Magnet	Magnet valve	5
9710 900052	Anschluß Block rechts	Connecting block right	5
9710 900053	Anschluß Block links	Connecting block left	5
9710 920012	Ventil, Drossel	Choke valve	5
9712 510002	VENTILBLOCK 2-FACH	Sandwich valve	5
9731 002001	SCHLAUCH-PVC	Tube PVC	23
9731 005004	SCHLAUCH-PUR 2,7LWX0,65	Hose 2,7LWX0,65	5
9731 006004	SCHLAUCH-PUR 4,0LWX1,0	Hose 4.0LWX1.0	5
9780 000108	WE-8 Wartungseinheit K	Air unit WE-8	23
9790 200000	VERSCHR.GD-E M5 D4 PATRONE	Connection M5 D4	5
9790 201000	VERSCHR.WI-E M5 D4 PATRONE	Connection M5 D4	5
9790 201001	VERSCHR.WI-E R 1/8"D 4	Connection	5
9790 201003	VERSCHR.WI-E R 1/8"DA6	Connection	5
9800 150009	Nähantrieb O.S.	Motor motor	2

Teilenummer Part No.	Bezeichnung/Description		Seite Page
	D	GB	
9800 330012	Ext. Betätigung	pedal sensor	18
9815 710100	Induktivgeber	inductive sensor	2
9816 710103	Induktivgeber	inductive sensor	4
9822 510026	Nähleuchte	Lamp asm.	24
9822 510027	Tischklemme	Lamp holder	24
9822 642010	Leuchtmittel	Illuminant	24
9825 580503	Steckergehäuse 5 polig	connector body	13
9825 580510	Steckerleiste 5 polig	connector board	13
9825 580805	Buchsenleiste	socket board	2, 4, 9, 13
9825 580806	Steckergehäuse	connector body	2, 4, 9, 13, 19
9830 200108	TASTENGEHAEUSE	Button housing	22
9830 501001	DISTANZHUELSE	Distance collar	22
9830 501005	DISTANZHALTER	distance holder	21
9835 501005	LASER	Laser	21, 24
9840 120027	BEF.SCHELLE H3P	Cable clamp	19, 21, 22
9840 120060	Zugentl. Schelle	clip collar	18
9840 121001	KABELBINDER	Cable band	21
9840 121002	Kabelbinder	cable band	18
9840 938015	Kabelkanal	cable duct	18
9850 001066	Bedienfeld BF3	Panel BF3	20
9850 001190	Bedienfeld BF2B	Panel BF2B	20
9850 510003	STEUERUNG K	Laser controller	21
9850 510004	Steuerung K + Dongle	DAC 3 with dongle	18
9850 510004 GP01	Dongle mit Software 510	Dongle with software 510	24
9850 805006	LEITERPLATTE K	Printed circuit board asm.	21
9870 001020	Leitungssatz K 230V	cable asm. 230V	18
9870 001021	Schuko-Steckdose	Power Outlet	24
9870 510007	Leitung K DAC3-Pedal	pedal cable asm.	18
9870 510008	LEITUNG K 510	cable asm.	22
9870 510009	Leitung K	Wire	5
9870 579025	Leitung K	cable asm.	20
9870 806016	Leitung K	cable asm.	18
9880 510006	TASTER K	button asm.	22
MG43 000062	Klemme	Clamp	17
MG43 000403	Klemme	Clamp	17
MG43 000451	Gestänge K	Rod asm.	17
MG43 006542	LASCHE	Mounting link	22
MG53 002501	Pedal K	Pedal asm.	17
MG53 007922	Lasche	Mounting link	18, 23
MG55 000501	MG 55-3 Gestell V	Stand	17
MG55 400294	MG 55-3 Gestell K	Stand asm.	17



Klammer Nr. Clamping foot No.	Verwendungszweck / Use	Artikel-Nr. Klammersatz, komplett Article No. Set of Clamping Foot, cpl.	Einzelteile / Individual Parts			
			Klammerfuß links Clamp foot left	Klammerfuß rechts Clamp foot right	Stoffauflageblech Fabric support plate	Fingerschutz Finger protection
1 ¹⁾	Querriegel / Straight bartack Standardausstattung Kl. 510-211 Standard equipment for class 510-211	0510 22 001 4 S	0510 D8.07-15	0510 D8.07-14	0510 D281104	0510 D8.07-16
2 ¹⁾	Querriegel / Straight bartack Standardausstattung Kl. 510-213 Standard equipment for class 510-213	0510 22 002 4 S	0510 D281116	0510 D281115	0510 D281104 0510 D281117	0510 D8.07-16
3 ¹⁾	Querriegel groß / Large straight bartack	0510 22 003 4 S	0510 D281107	0510 D281106	0510 D281111	0510 D281128
4 ¹⁾	Querriegel klein / Small straight bartack	0510 22 004 4 S	0510 D8.07-26	0510 D8.07-27	0510 D8.07-25	0510 D8.07-16
5 ¹⁾	Längsriegel / Longitudinal bartack	0510 22 005 4 S	0510 D281109	0510 D281108	0510 D281112	0510 D281114
6 ¹⁾	Kleinfeld-Klammerfuß / Small field clamping foot	0510 22 006 4 S	0510 D2811330	0510 D2811320	0510 D281139	0510 D281142
7 ¹⁾	Großfeld-Klammerfuß / Large field clamping foot	0510 22 007 4 S	0510 51011180	0510 51011170	0510 5101119	0510 D281142
8 ¹⁾	Kontraktionsklammer / Contraction clamp Standardausstattung Kl. 510-212 Standard equipment for class 510-212	0510 22 008 4 S ³⁾	0510 5101503 ³⁾	0510 5101504 ³⁾		
9 ¹⁾	Kreis / Circular	0510 22 009 4 S	0510 D8.24-2.1		0510 D8.24-1	0510 D281142
10 ¹⁾	D-Klammerfuß Einfach Simple D-clamping foot	0510 22 010 4 S	0510 D281130	0510 D281129	0510 D281104	0510 D8.07-16
11 ¹⁾	Doppel D-Klammerfuß seitlich Double D-clamping foot lateral	0510 22 011 4 S	0510 5101120	0510 5101121	0510 5101122	0510 D281128
12 ¹⁾	Doppel D-Klammerfuß längs Double D-clamping foot longitudinal	0510 22 012 4 S	0510 5101124	0510 5101125	0510 5101129	0510 D281142
13 ¹⁾	Doppel-Tri Klammerfuß seitlich Double Tri-clamping foot lateral	0510 22 013 4 S	0510 5101126	0510 5101127	0510 5101128	0510 D281142
14 ²⁾	Gürtelschleife Belt loop	0510 22 014 4	0510 5101115	0510 5101114	0510 5101116	0510 D8.07-16
15 ²⁾	Klammerfüße zum Selbstanfertigen Clamping feet for self-producing	0510 22 015 4	0510 51011310	0510 51011300	0510 5101132	0510 D281142
16	Doppel-D-Riegel seitlich Double D bartack lateral	0510 22 016 4	0510 5101140	0510 5101141	0510 5101142	0510 D281128

¹⁾ Standard Klammersätze (siehe Bedienanleitung Seite 34 - Nummer)
Standard Clamping Sets (cf. Operating Instructions page 34 - Number)

²⁾ Zusätzliche Klammersätze (siehe Bedienanleitung Seite 34 - Freie Maße)
Additional Clamping Sets (cf. Operating Instructions page 34 - Free dimensions)

³⁾ Nur für Kl. 510-212 / Only for Cl. 510-212



**Klammersätze
Clamping sets**

510

Ausgabe
Edition
08.07

Blatt 2
Page

Ersetzt Ausgabe
Replaced edition
12.03

Fortsetzung Blatt 3
Continued page

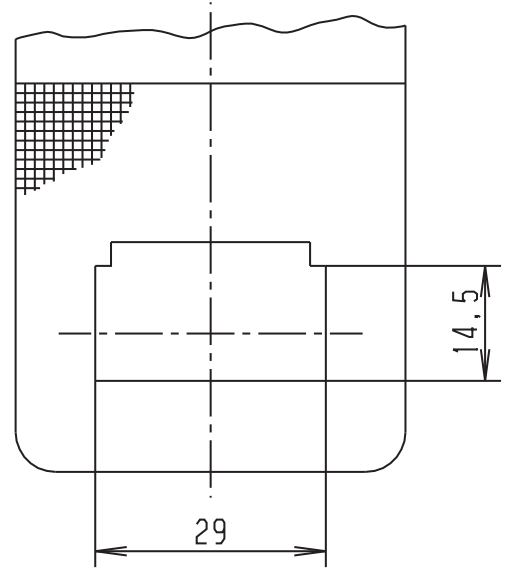
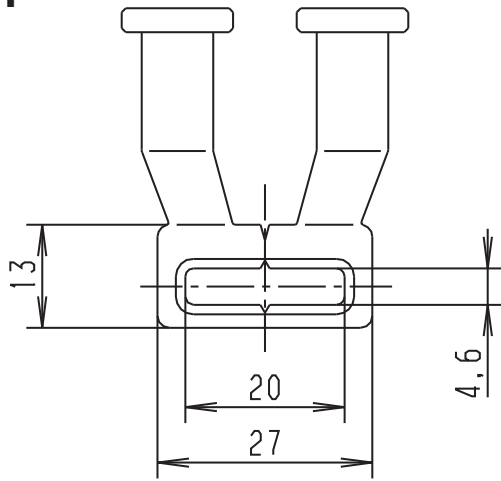
Klammer Nr. Clamping foot No.	Verwendungszweck / Use	Artikel-Nr. Klammersatz, komplett Article No. Set of Clamping Foot, cpl.	Einzelteile / Individual Parts			
			Klammerfuß links Clamp foot left	Klammerfuß rechts Clamp foot right	Stoffauflageblech Fabric support plate	Fingerschutz Finger protection
17	Rohling + Bearbeitung nach Kundenwunsch (Kreise + Rechtecke) Blank + customized (Circle + rectangle)	0510 22 017 4	0510 220154			
18	Rohling + Bearbeitung nach Kundenwunsch (Polylines) Blank + customized (Polylines)	0510 22 018 4	0510 220154			

¹⁾ Standard Klammersätze (siehe Bedienanleitung Seite 34 - Nummer)
Standard Clamping Sets (cf. Operating Instructions page 34 - Number)

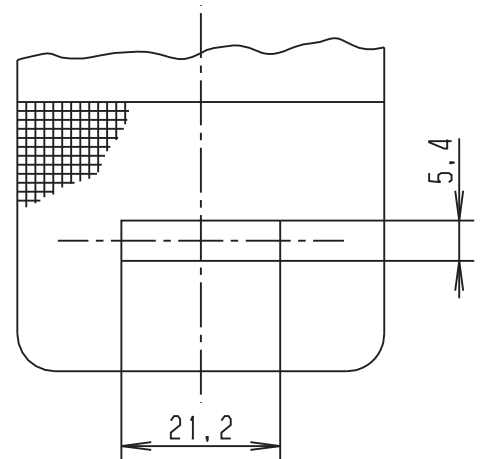
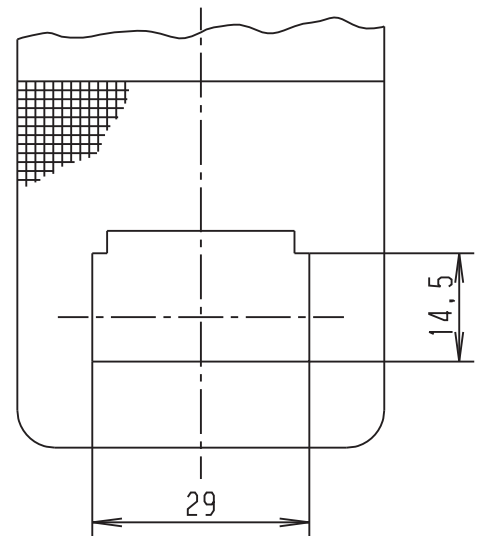
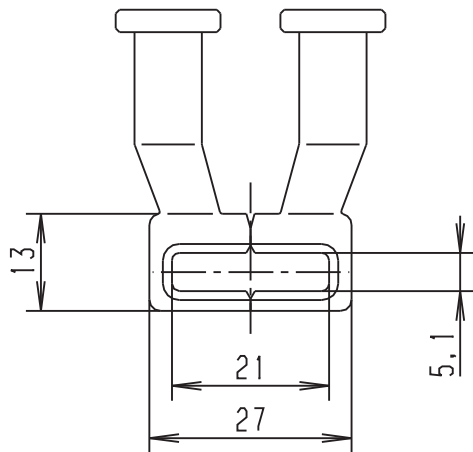
 = Änderung / Modification



1

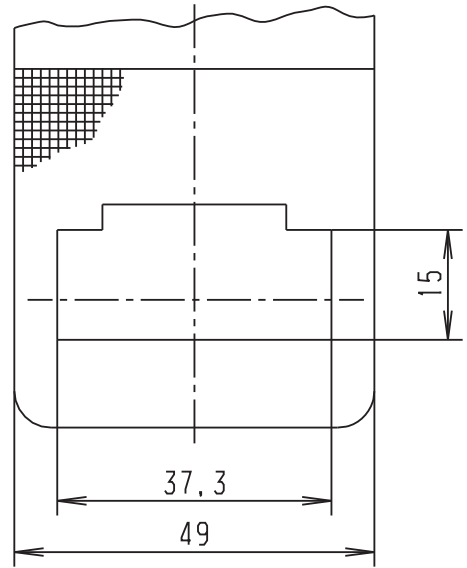
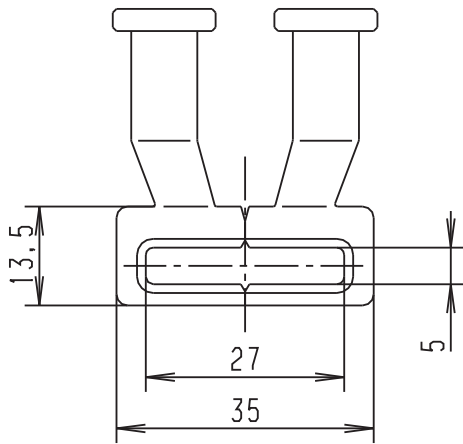


2

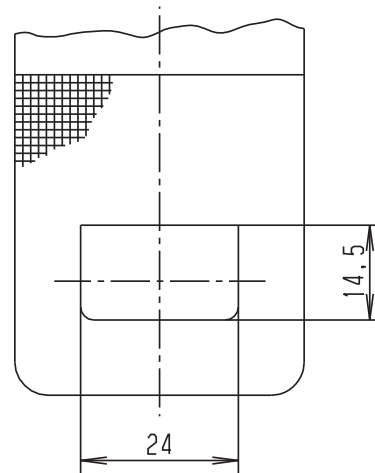
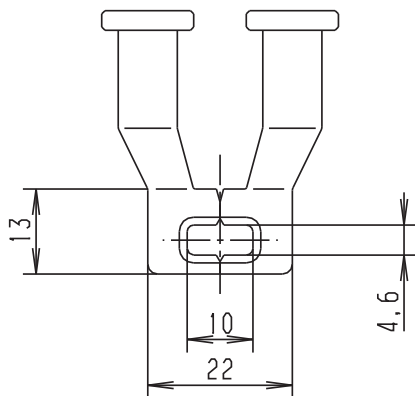




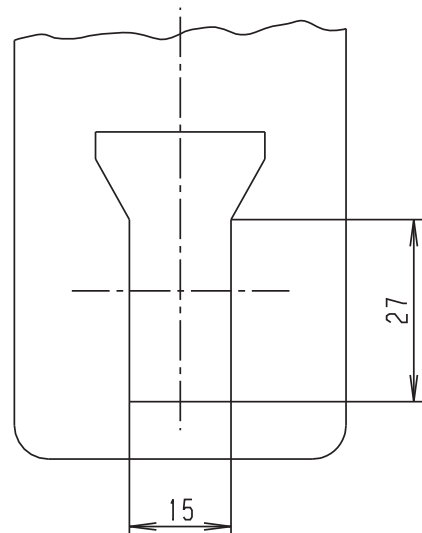
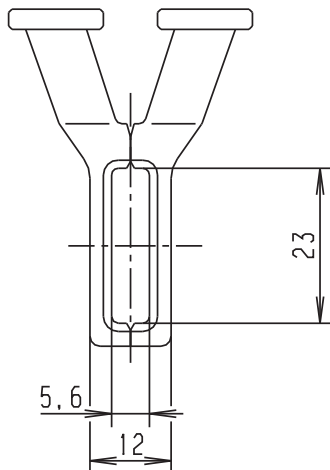
3



4

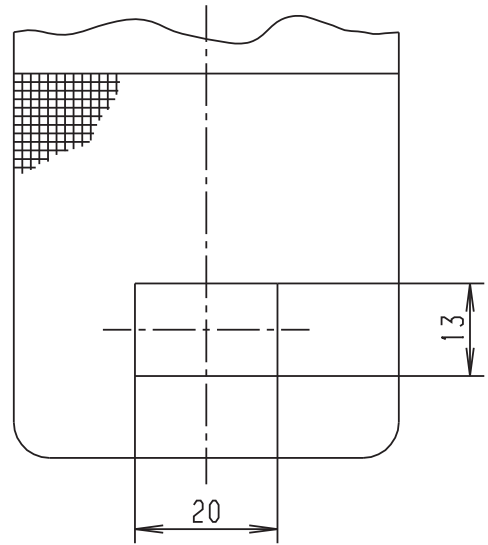
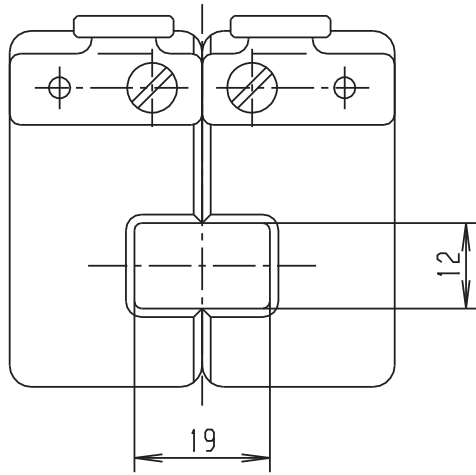


5

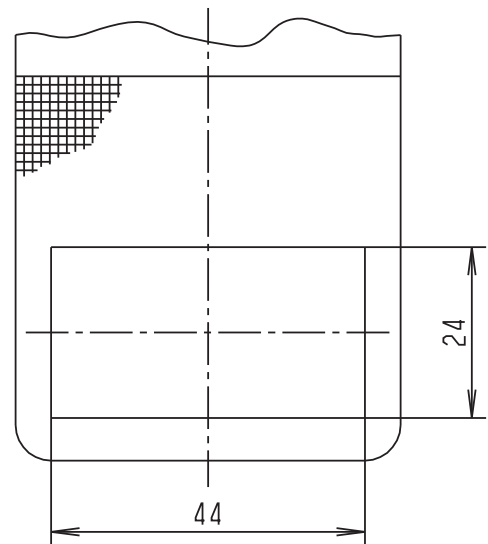
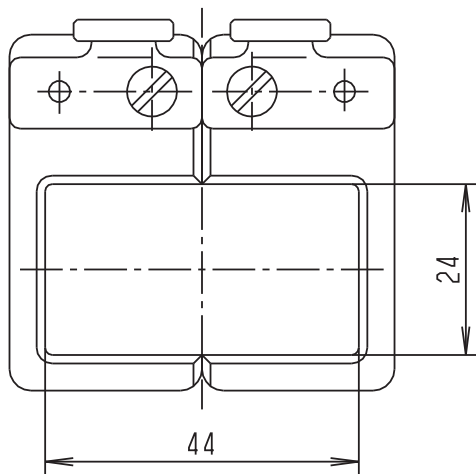




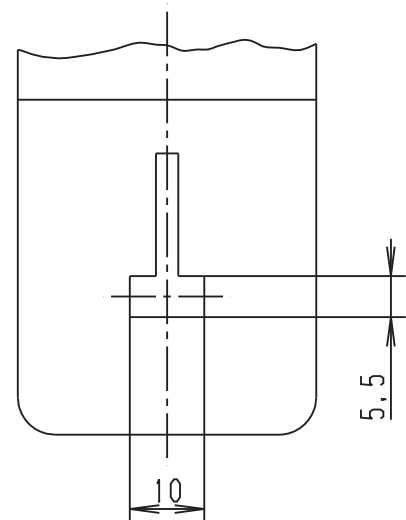
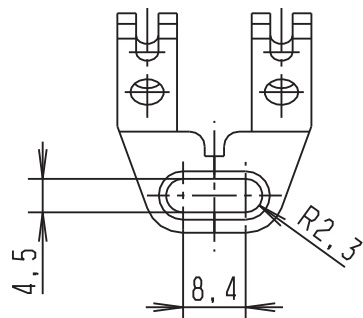
6



7

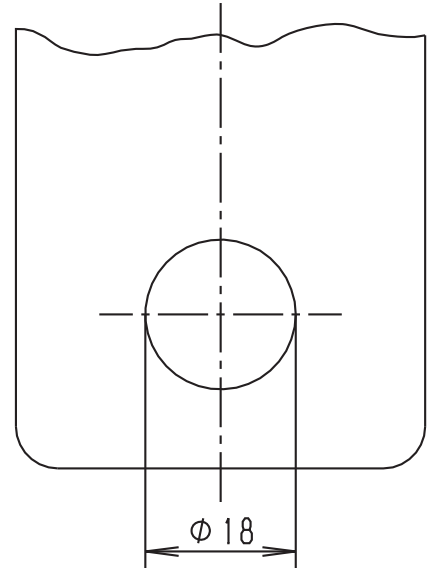
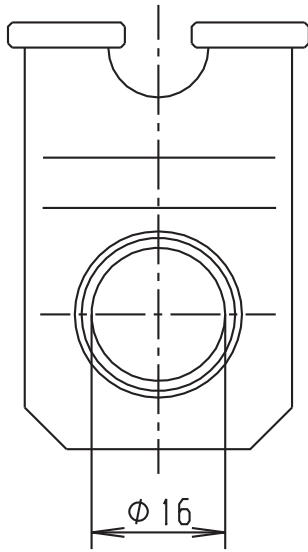


8

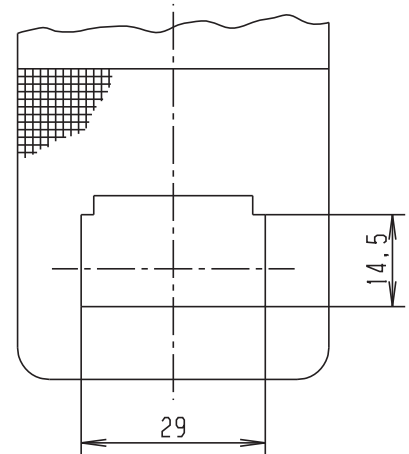
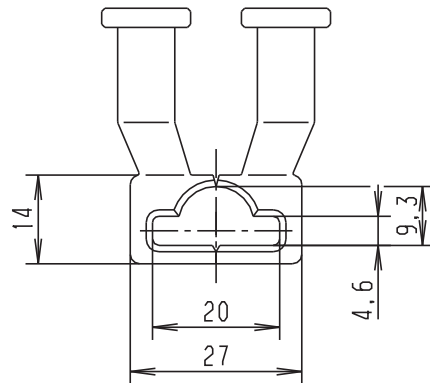




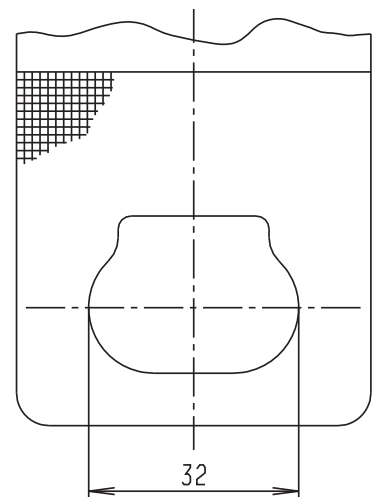
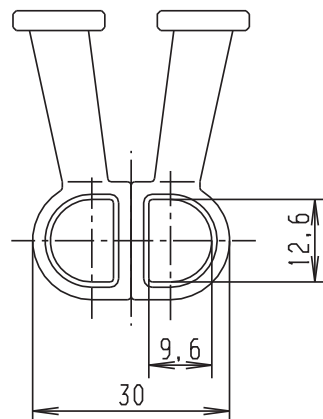
9



10

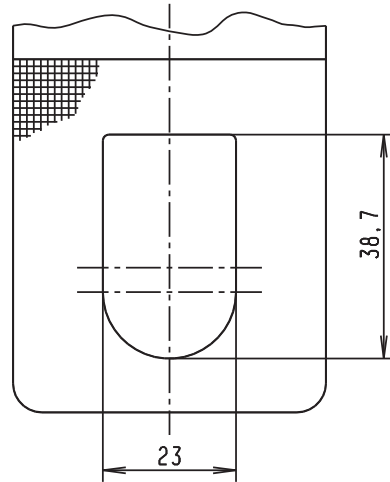
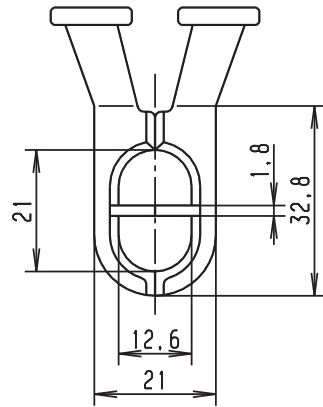


11

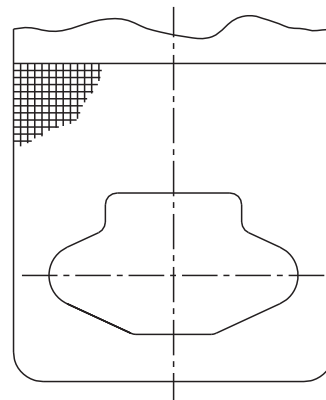
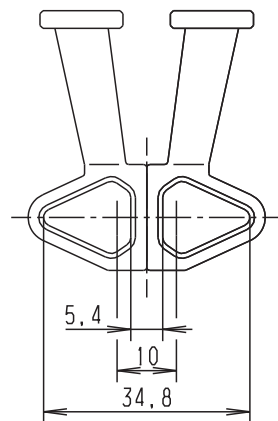




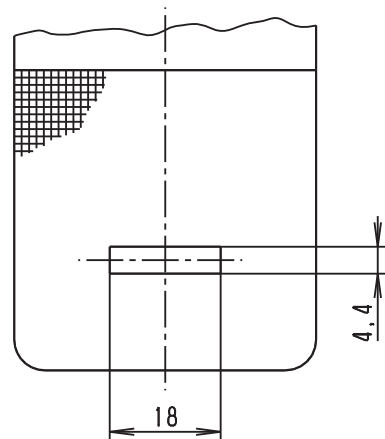
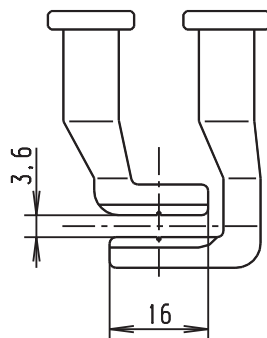
12



13



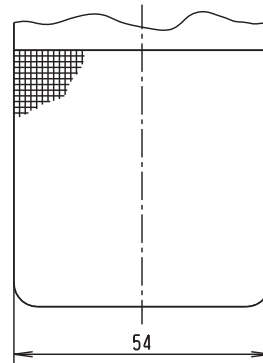
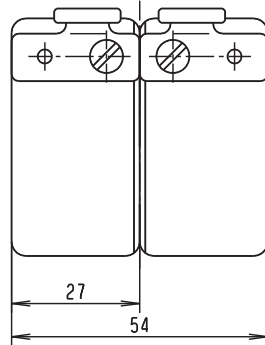
14



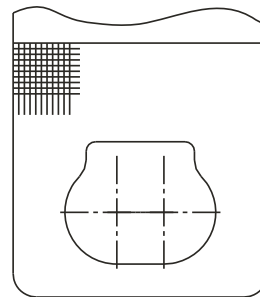
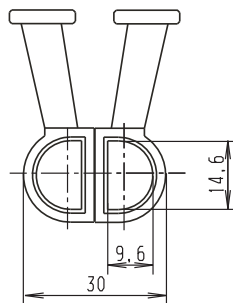


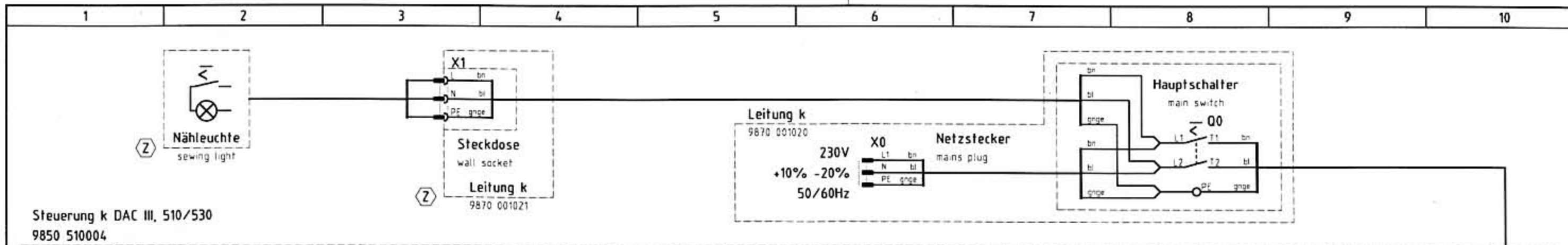
15, 17, 18

nicht gehärtet
not tempered



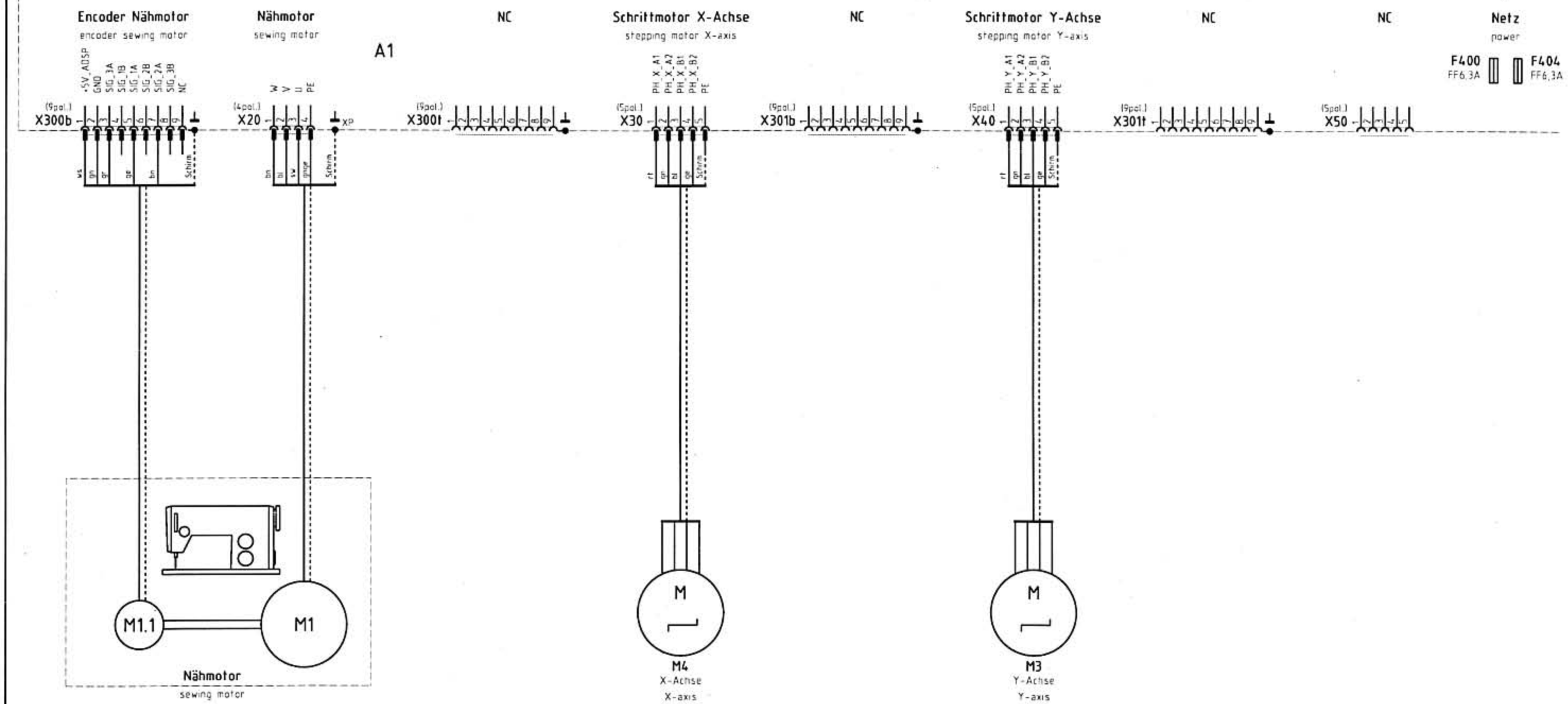
16





Steuerung k DAC III, 510/530
9850 510004

control DAC III, 510/530



02. Sep. 2005

Z Zusatzeinrichtung
optional equipment

c	03.0	29.08.05	Cz	Datum	18.02.03
b	02.0	10.12.04	Ba	Bearb.	Ba
a	01.0	26.06.03	Ba	Gepr.	<i>[Signature]</i>
	Anderung	Datum	Name	Norm	



**DÜRKOPP
ADLER AG**
Bielefeld

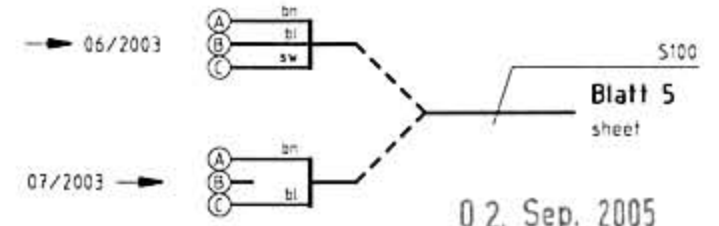
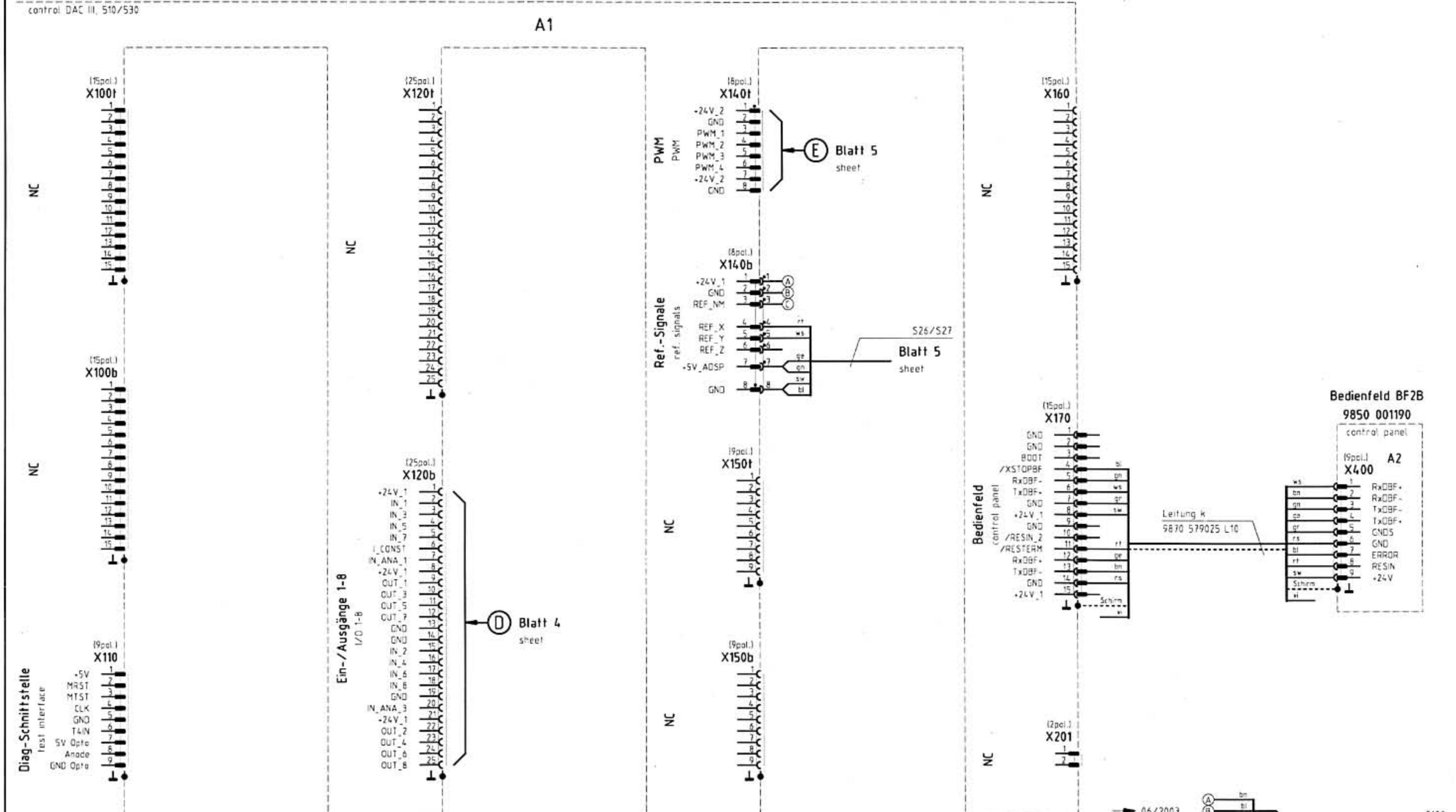
Teilefamilie
Freigabe
0116 / 05

510/530, DAC III
Zuleitung, Steuerung, Nähtrieb, Schrittmotore
lead, control, sewing drive, stepping motors

Bauschaltplan
9890 510001 B

Blatt
1/7

Steuerung k DAC III, 510/530
9850 510004
control DAC III, 510/530



02. Sep. 2005

Kodierung
coding

Zusatzeinrichtung
optional equipment

ε	03.0	29.08.05	Cz	Datum	18.02.03
ε	02.0	10.12.04	Ba	Bearb.	Ba
a	01.0	26.06.03	Ba	Gepr.	<i>[Signature]</i>
	Anderung	Datum	Name	Norm	

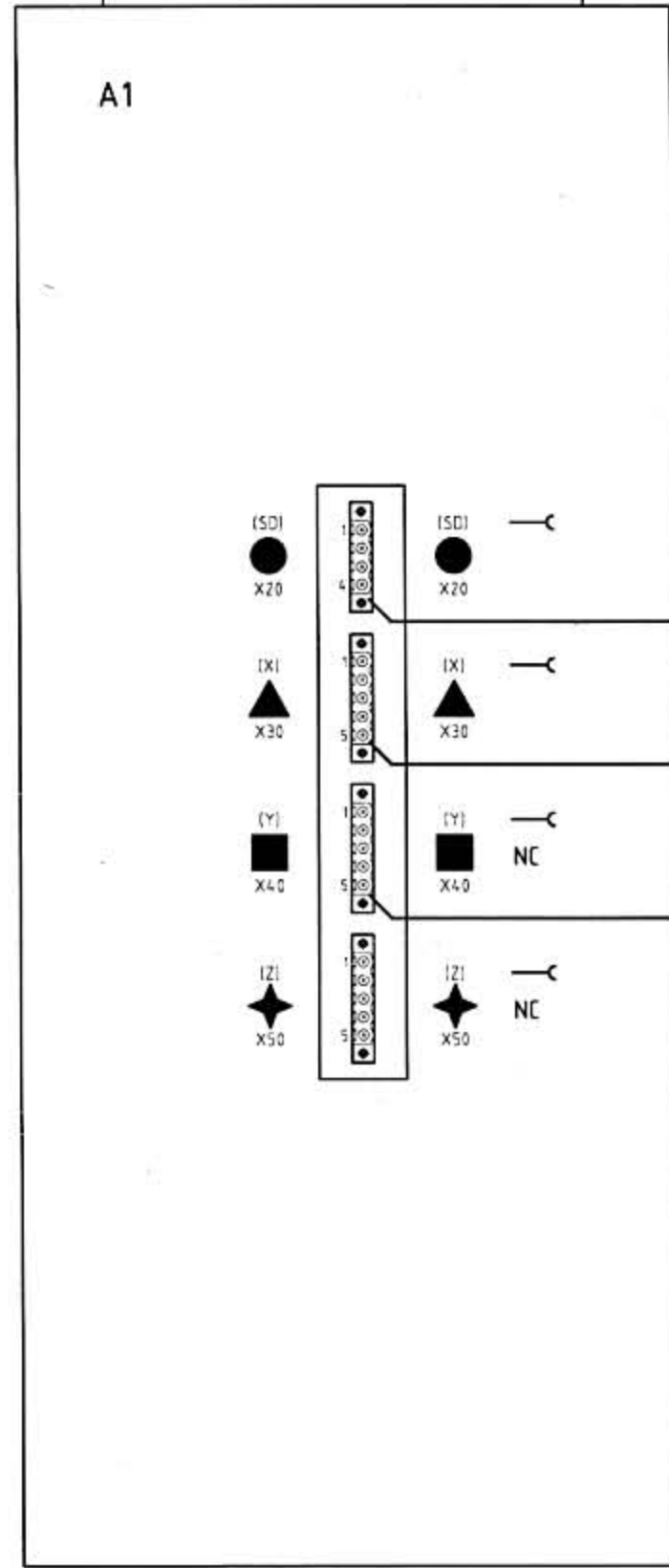
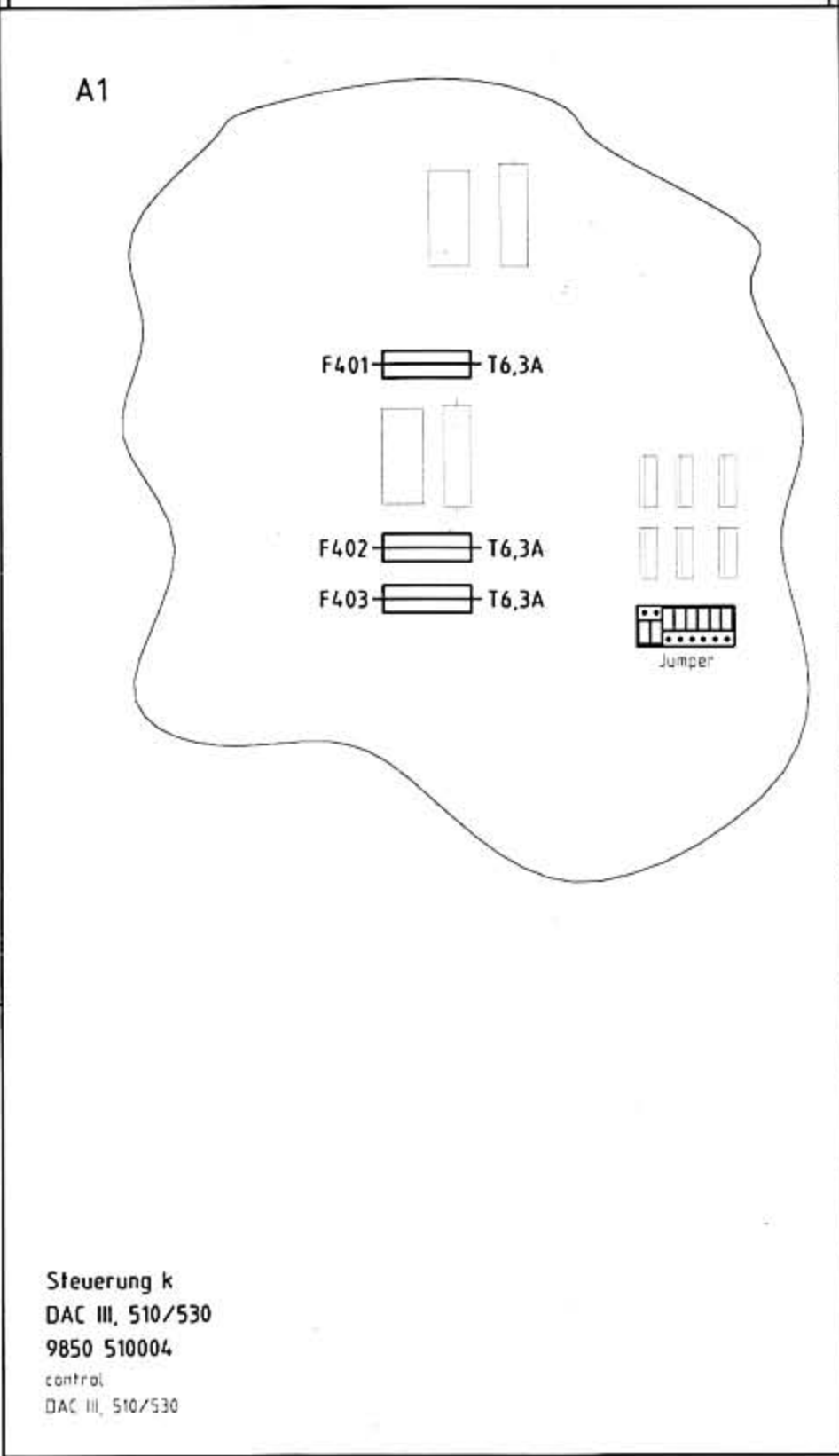
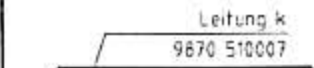
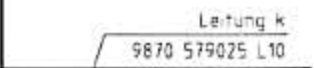
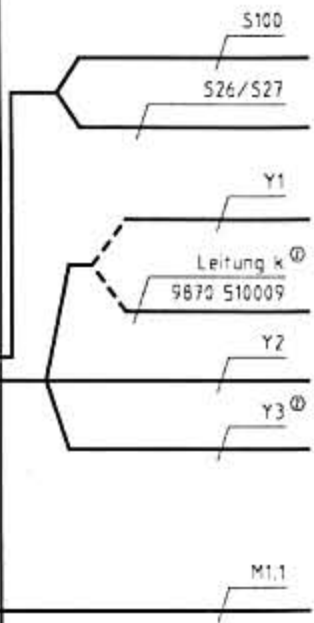
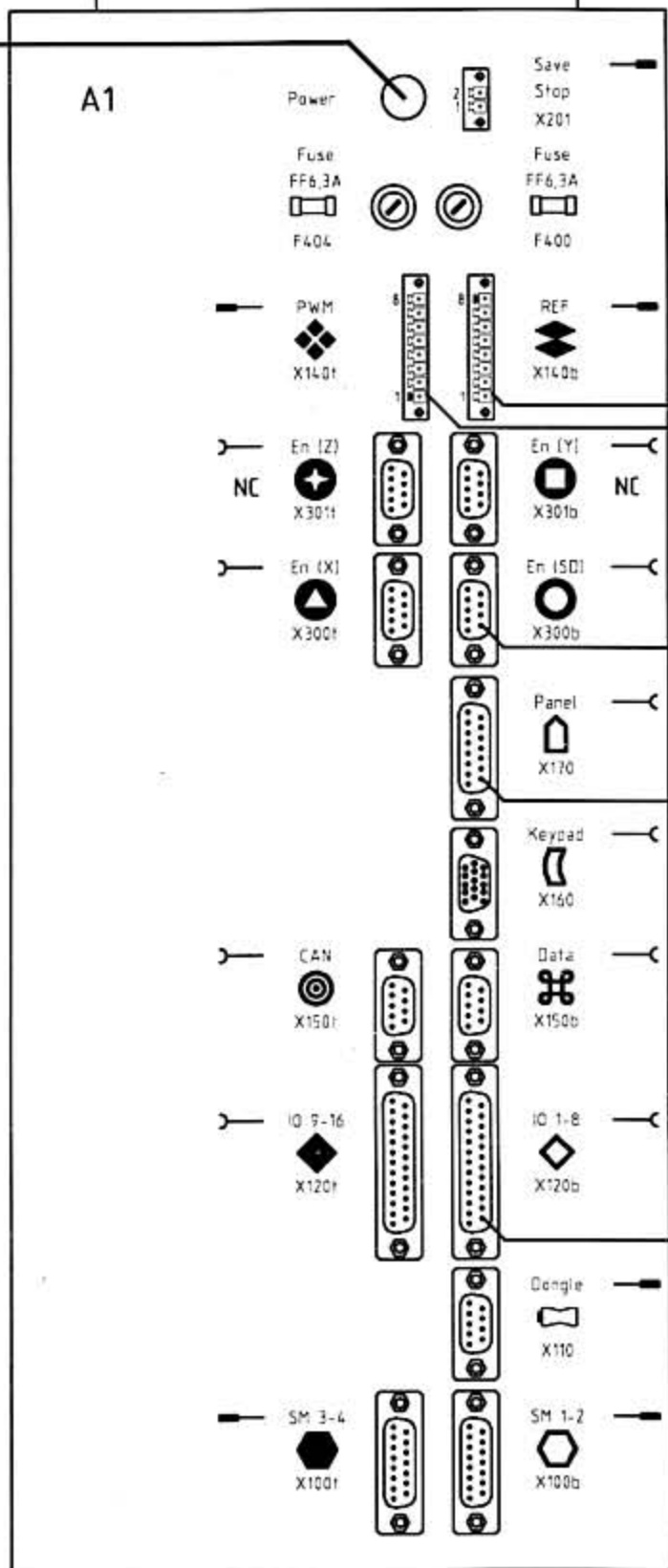
DÜRKOPP ADLER AG
Bielefeld

Teilfamilie
Freigabe
0116 / 05

510/530, DAC III
I/O, PWM, Ref.-Signale, Bedienfeld
I/O, PWM, ref. signals, control panel

Bauschaltplan
9890 510001 B

Blatt
2/7



02. Sep. 2005

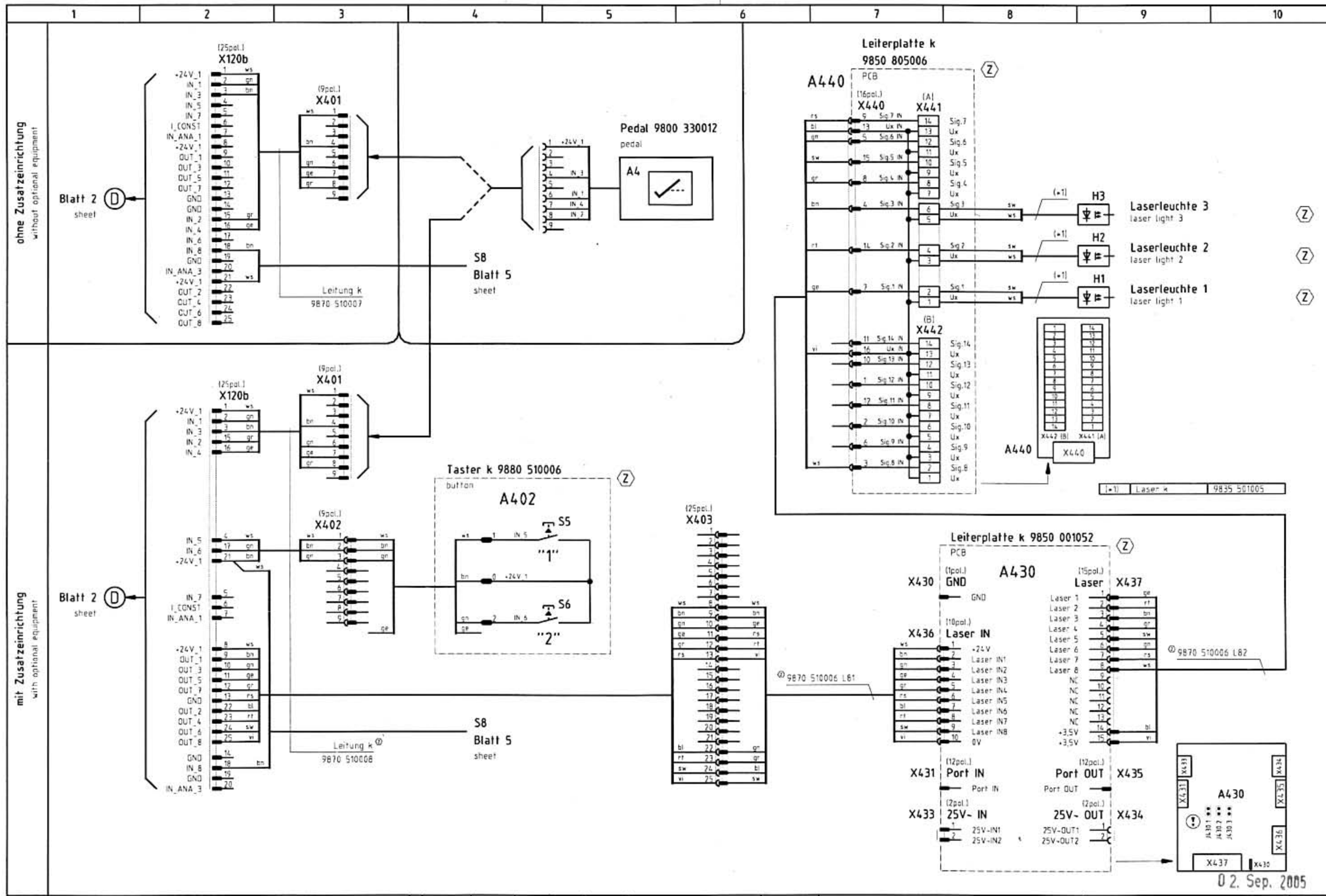
c	03.0	29.08.05	Cz	Datum	18.02.03
b	02.0	10.12.04	Ba	Bearb.	Ba
a	01.0	26.06.03	Ba	Gepr.	<i>[Signature]</i>
	Anderung	Datum	Name	Norm	<i>[Signature]</i>



Teilfamilie
Freigabe
0116 / 05

510/530, DAC III
Steuerung, Anschlußplan
control, connection diagram

Bauschaltplan
9890 510001 B



02. Sep. 2005

⚠ **Konfiguration beachten!**
observe the configuration!

Ⓩ **Zusatzzeirichtung**
optional equipment

c	03.0	29.08.05	Cz	Datum	18.02.03
b	02.0	10.12.04	Ba	Bearb.	Ba
a	01.0	26.06.03	Ba	Gepr.	<i>[Signature]</i>
	Anderung	Datum	Name	Norm	<i>[Signature]</i>

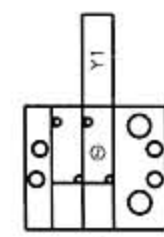
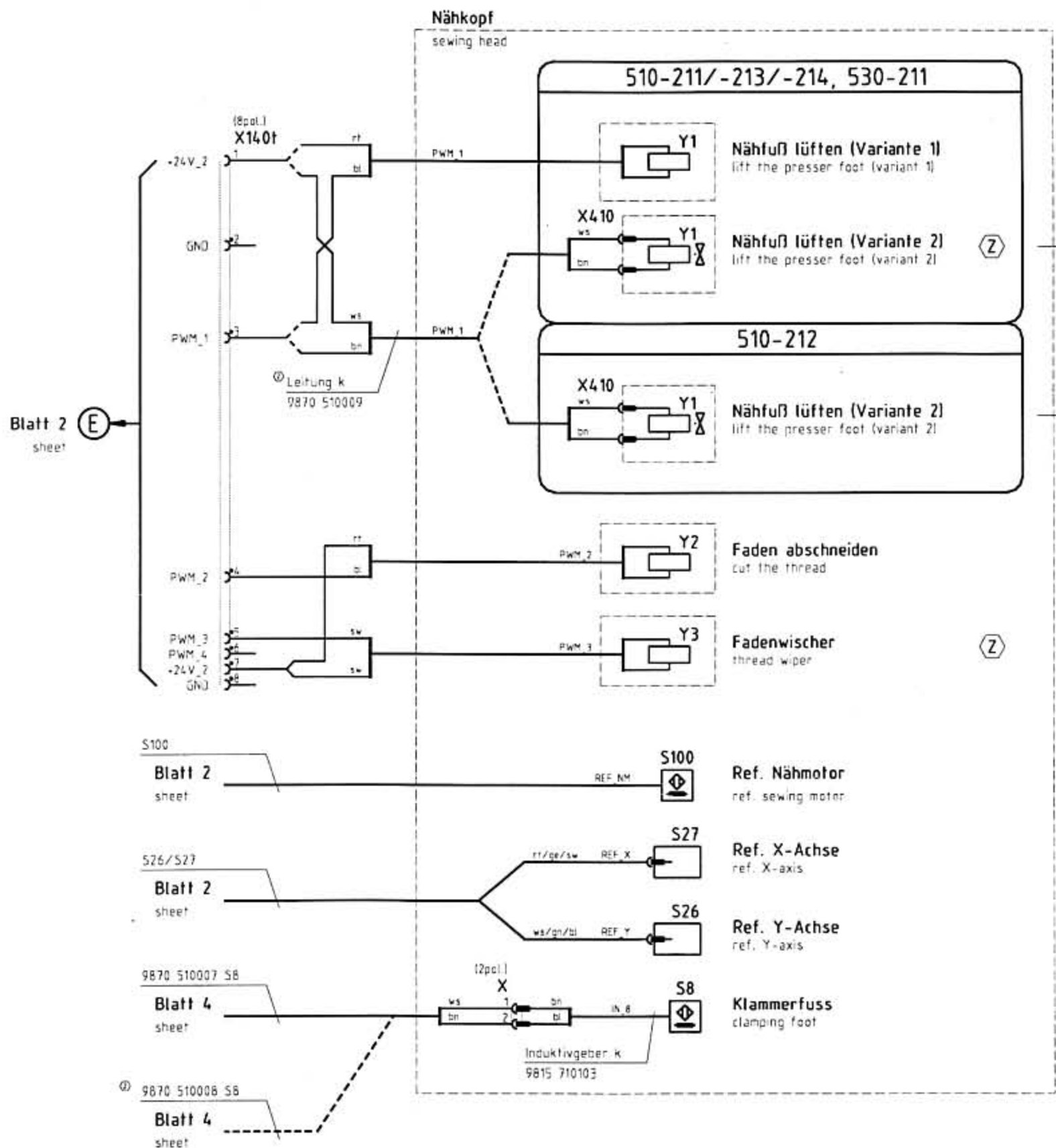
DÜRKOPP ADLER AG
Bielefeld

Teilfamilie
Freigabe
0116 / 05

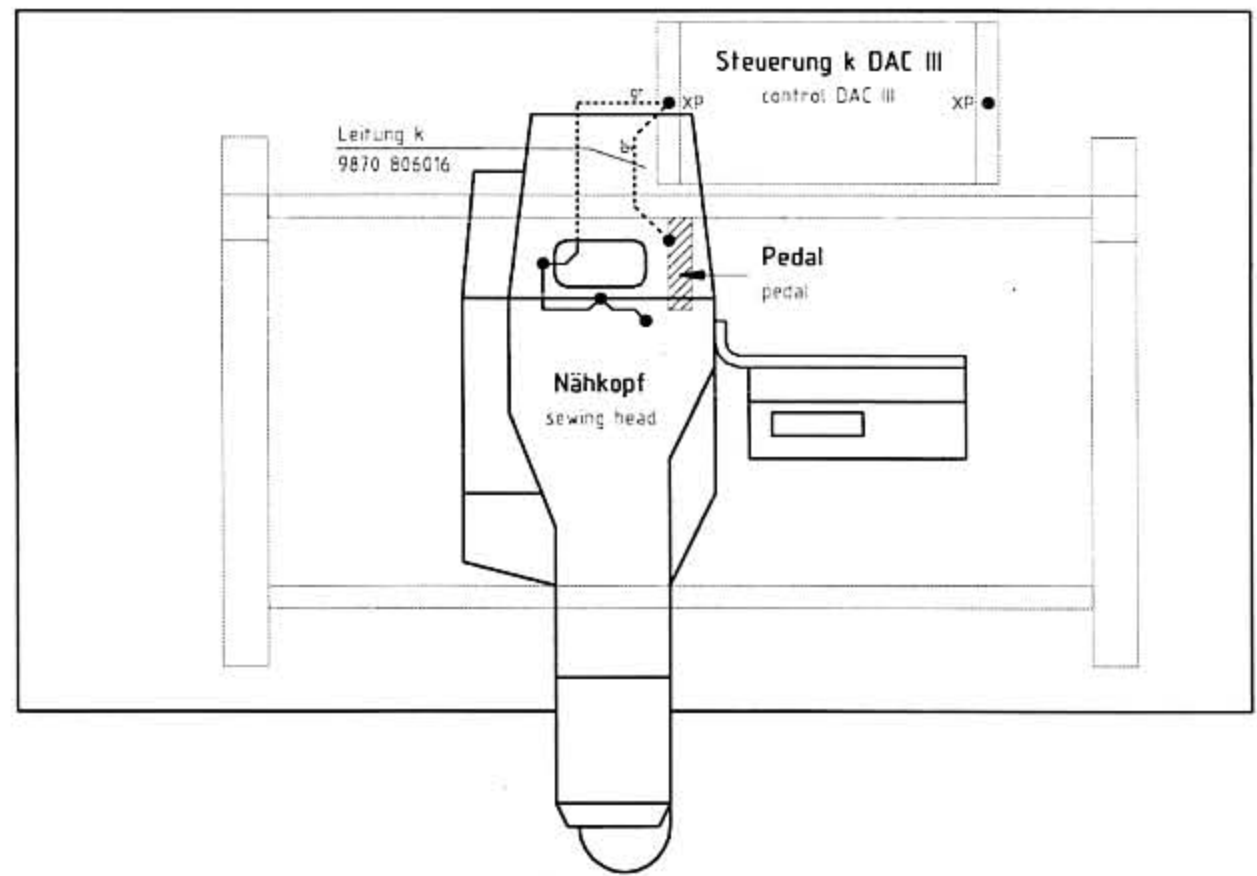
510/530, DAC III
Pedal, Taster, Laserleuchten
pedal, button, laser lights

Bauschaltplan
9890 510001 B

Blatt
4 / 7



Ansicht von oben
top view



02. Sep. 2005

Kodierung
coding

Z Zusatzzeinrichtung
optional equipment

c	03.0	29.08.05	Cz	Datum	18.02.03
b	02.0	10.12.04	Ba	Bearb.	Ba
a	01.0	26.06.03	Ba	Gepr.	<i>Kelly</i>
	Anderung	Datum	Name	Norm	

DÜRKOPP
ADLER AG
Bielefeld

Teilfamilie
Freigabe
0116 / 05

510/530, DAC III
Ein-/Ausgänge Nähkopf, Potentialausgleich
inputs/outputs sewing head, operational bondings

Bauschaltplan
9890 510001 B

Blatt
5/7

1	2	3	4	5	6	7	8	9	10														
Verbindung/ connection	Punkt/ point	Blatt/ sheet	Verbindung/ connection	Punkt/ point	Blatt/ sheet	Verbindung/ connection	Punkt/ point	Blatt/ sheet	Verbindung/ connection	Punkt/ point	Blatt/ sheet	Verbindung/ connection	Punkt/ point	Blatt/ sheet	Verbindung/ connection	Punkt/ point	Blatt/ sheet	Verbindung/ connection	Punkt/ point	Blatt/ sheet			
W	X20/1 M1/1	1	-24V_1	X120b/1 A4-X401/1	2 4	-24V_2	X140t/1 Y1/rt Y1-X410/ws	2 5 5	GND	X170/1	2	GND	A430-X430/1	4	Laser 1	A430-X437/1 A440-X440/7	4 4	Sig.12 IN	A440-X440/1	4	Ux	A440-X441/1 H1-ws	4
V	X20/2 M1/2	1	IN_1	X120b/2 A4-X401/6	2 4	GND	X140t/2	2	GND	X170/2	2	BOOT	X170/3	2	Laser 2	A430-X437/2 A440-X440/14	4 4	Sig.10 IN	A440-X440/2	4	Sig.1	A440-X441/2 H1-sw	4
U	X20/3 M1/3	1	IN_3	X120b/3 A4-X401/4	2 4	PWM_1	X140t/3 Y1/bl Y1-X410/bn	2 5 5	/XSTQPBF	X170/4 A2-X400/7	2 2	25V-IN1	A430-X433/1	4	Laser 3	A430-X437/3 A440-X440/4	4 4	Sig.8 IN	A440-X440/3 (s. A430-X437/8)	6	Ux	A440-X441/3 H2-ws	4
PE	X20/4 M1/4	1	IN_5	X120b/4 A402-X402/1	2 4	PWM_2	X140t/4 Y2/bl	2 5	RxDBF-	X170/5 A2-X400/3	2 2	25V-IN2	A430-X433/2	4	Laser 4	A430-X437/4 A440-X440/8	4 4	Sig.3 IN	A440-X440/4 (s. A430-X437/3)	6	Sig.2	A440-X441/4 H2-sw	4
PH_X_A1	X30/1 M4/1	1	IN_7	X120b/5	2	PWM_3	X140t/5 Y3/sw2	2 5	TxDBF+	X170/6 A2-X400/1	2 2	25V-OUT1	A430-X434/1	4	Laser 5	A430-X437/5 A440-X440/15	4 4	Sig.6 IN	A440-X440/5 (s. A430-X437/6)	6	Ux	A440-X441/5 H3-ws	4
PH_X_A2	X30/2 M4/2	1	I_CONST	X120b/6	2	PWM_4	X140t/6 Y3/sw2	2 5	GND	X170/7 A2-X400/5	2 2	25V-OUT2	A430-X434/2	4	Laser 6	A430-X437/6 A440-X440/5	4 4	Sig.9 IN	A440-X440/6	4	Sig.3	A440-X441/6 H3-sw	4
PH_X_B1	X30/3 M4/3	1	IN_ANA_1	X120b/7	2	-24V_1	X120b/8 A430-X436/1	2 4	+24V_1	X170/8 A2-X400/9	2 2	Part OUT	A430-X435	4	Laser 7	A430-X437/7 A440-X440/9	4 4	Sig.4 IN	A440-X440/8 (s. A430-X437/4)	6	Ux	A440-X441/7	4
PH_X_B2	X30/4 M4/4	1	OUT_1	X120b/9 A430-X436/2	2 4	OUT_1	X120b/9 A430-X436/2	2 4	GND	X170/9	2	+24V	A430-X436/1 (s. X120b/8)	6	Laser 8	A430-X437/8 A440-X440/3	4 4	Sig.7 IN	A440-X440/9 (s. A430-X437/7)	6	Ux	A440-X441/8	4
PE	X30/5	1	OUT_3	X120b/10 A430-X436/4	2 4	OUT_3	X120b/10 A430-X436/4	2 4	/RESIN_2	X170/10	2	Laser IN1	A430-X436/2 (s. X120b/9)	6	NC	A430-X437/9	4	Sig.13 IN	A440-X440/10	4	Sig.5	A440-X441/10	4
PH_Y_A1	X40/1 M3/1	1	OUT_5	X120b/11 A430-X436/6	2 4	OUT_5	X120b/11 A430-X436/6	2 4	RxDBF+	X170/12 A2-X400/4	2 2	Laser IN2	A430-X436/3 (s. X120b/22)	6	NC	A430-X437/10	4	Sig.14 IN	A440-X440/11	4	Ux	A440-X441/11	4
PH_Y_A2	X40/2 M3/2	1	OUT_7	X120b/12 A430-X436/8	2 4	OUT_7	X120b/12 A430-X436/8	2 4	TxDBF-	X170/13 A2-X400/2	2 2	Laser IN3	A430-X436/4 (s. X120b/10)	6	NC	A430-X437/11	4	Sig.11 IN	A440-X440/12	4	Ux	A440-X441/12	4
PH_Y_B1	X40/3 M3/3	1	GND	X120b/13 A430-X436/10	2 4	GND	X120b/13 A430-X436/10	2 4	GND	X170/14 A2-X400/6	2 2	Laser IN4	A430-X436/5 (s. X120b/23)	6	NC	A430-X437/12	4	Ux IN	A440-X440/13 (s. A430-X437/14)	6	Sig.6	A440-X441/13	4
PH_Y_B2	X40/4 M3/4	1	IN_2	X120b/14	2	IN_2	X120b/14	2	+24V_1	X170/15	2	Laser IN5	A430-X436/6 (s. X120b/11)	6	NC	A430-X437/13	4	Sig.2 IN	A440-X440/14 (s. A430-X437/2)	6	Ux	A440-X441/13	4
PE	X40/5	1	IN_4	X120b/16 A4-X401/7	2 4	IN_4	X120b/16 A4-X401/7	2 4	-5V_ADSP	X300b/1 M1.1/1	1 1	Laser IN6	A430-X436/7 (s. X120b/24)	6	+3.5V	A430-X437/14 A440-X440/13	4 4	Sig.5 IN	A440-X440/15 (s. A430-X437/5)	6	Sig.8	A440-X442/2	4
-5V	X110/1	2	IN_6	X120b/17 A402-X402/3	2 4	IN_6	X120b/17 A402-X402/3	2 4	GND	X300b/2 M1.1/2	1 1	Laser IN7	A430-X436/8 (s. X120b/12)	6	-3.5V	A430-X437/15 A440-X440/16	4 4	Ux IN	A440-X440/16 (s. A430-X437/15)	6	Sig.9	A440-X442/3	4
MRST	X110/2	2	IN_8	X120b/18 S8	2 5	IN_8	X120b/18 S8	2 5	SIG_3A	X300b/3 M1.1/3	1 1	Laser IN8	A430-X436/9 (s. X120b/25)	6	OV	A430-X436/10 (s. X120b/13)	6	Sig.10	A440-X442/4	4	Ux	A440-X442/4	4
MTST	X110/3	2	GND	X120b/19	2	GND	X120b/19	2	SIG_1B	X300b/4	1	0V	A430-X436/10 (s. X120b/13)	6				Sig.11	A440-X442/5	4	Ux	A440-X442/5	4
CLK	X110/4	2	IN_ANA_3	X120b/20	2	IN_ANA_3	X120b/20	2	SIG_1A	X300b/5 M1.1/5	1 1						Sig.12	A440-X442/6	4	Ux	A440-X442/6	4	
GND	X110/5	2	-24V_1	X120b/21 A402-X402/2	2 4	-24V_1	X120b/21 A402-X402/2	2 4	SIG_2B	X300b/6	1						Sig.13	A440-X442/7	4	Ux	A440-X442/7	4	
T4IN	X110/6	2	OUT_2	X120b/22 A430-X436/3	2 4	OUT_2	X120b/22 A430-X436/3	2 4	SIG_2A	X300b/7 M1.1/7	1 1						Sig.14	A440-X442/8	4	Ux	A440-X442/8	4	
5V Opto	X110/7	2	OUT_4	X120b/23 A430-X436/5	2 4	OUT_4	X120b/23 A430-X436/5	2 4	SIG_3B	X300b/8	1												
Anode	X110/8	2	OUT_6	X120b/24 A430-X436/7	2 4	OUT_6	X120b/24 A430-X436/7	2 4	NC	X300b/9	1												
GND Opto	X110/9	2	OUT_8	X120b/25 A430-X436/9	2 4	OUT_8	X120b/25 A430-X436/9	2 4															

**Nähmotor
Schrittmotore
Diag-Schnittstelle**
sewing motor
stepping motors
test interface

Ein-/Ausgänge
inputs/outputs

**PWM
Ref.-Signale**
PWM
ref. signals

**Bedienfeld
Encoder Nähmotor**
control panel
encoder sewing motor

Laser-Modul
laser module

Verteiler Laserleuchten
distributor laser lights

02. Sep. 2005

Zusatzzeinrichtung
optional equipment

c	03.0	29.08.05	Cz	Datum	18.02.03
b	02.0	10.12.04	Ba	Bearb.	Ba
a	01.0	26.06.03	Ba	Gepr.	
	Anderung	Datum	Name	Norm	

**DÜRKOPP
ADLER AG
Bielefeld**

Teilfamilie
Freigabe
0116 / 05

510/530, DAC III
Verbindungsliste
connection list

Bauschaltplan
9890 510001 B

Blatt
6/7

A4	IN_1: X401/6>X120b/2 IN_2: X401/8>X120b/15 IN_3: X401/4>X120b/3 IN_4: X401/7>X120b/16	+24V_1: X401/1>X120b/1
A402	"1": 1>X402/1>X120b/4 (IN_5) "2": 2>X402/3>X120b/17 (IN_6)	+24V_1: 0>X402/2>X120b/21
A430	+24V: A430-X436/1>X403-8>X120b/8 (-24V_1) 0V: A430-X436/10>X403-13>X120b/13 (GND)	
H1	>A440-X441/2>A440-X440/7>A430-X437/1 (Laser 1) -3,5V: A440-X441/1>A440-X440/13-16>A430-X437/14-15 Ctrl: A430-X436/2>X403/9>X120b/9 (OUT_1)	
H2	>A440-X441/4>A440-X440/14>A430-X437/2 (Laser 2) -3,5V: A440-X441/3>A440-X440/13-16>A430-X437/14-15 Ctrl: A430-X436/3>X403/22>X120b/22 (OUT_2)	
H3	>A440-X441/6>A440-X440/4>A430-X437/3 (Laser 3) -3,5V: A440-X441/5>A440-X440/13-16>A430-X437/14-15 Ctrl: A430-X436/4>X403/10>X120b/10 (OUT_3)	
M1	>X20 (SD)	
M1.1	>X300b (En SD)	
M3	>X40 (Y)	
M4	>X30 (X)	

S8	>X120b/16 (IN_8) -24V: X120b/21 (-24V_1)	
S26	>X140b/5	+5V: X140b/7 (+5V_ADSP) GND: X140b/8
S27	>X140b/4	+5V: X140b/7 (+5V_ADSP) GND: X140b/8
S100	>X140b/3 (REF_NM) +24V: X140b/1 (-24V_1) GND: X140b/2 (GND) GND: -	-> 06/2003 07/2003 ->
Y2	>X1401/4 (PWM_2) -24V: X1401/7 (-24V_2)	
Y3	>X1401/5 (PWM_3) -24V: X1401/1 (-24V_2)	

510-211/-213/-214, 530-211

Y1	>X1401/3 (PWM_1) -24V: X1401/1 (-24V_2)	Magnet solenoid
Y2	>X410/bn>X1401/3 (PWM_1) -24V: X410/ws>X1401/1 (-24V_2)	Magnetventil solenoid valve

510-212

Y1	>X410/bn>X1401/3 (PWM_1) -24V: X410/ws>X1401/1 (-24V_2)	Magnetventil solenoid valve
----	--	-----------------------------

Kurzzeichen	Teilenummer	Benennung	denomination	Typ	Bemerkung
A1	9850 510004	Steuerung k	control	DAC III, 510/530	Variante 3
A2	9850 001190	Bedienfeld	control panel	BF2B	
A4	9800 330012	Pedal	pedal	EB301	
A402	9880 510006	Taster k	button		
A430	9850 001052	Leiterplatte k	PCB		CAN-Laser-Modul Verteiler Laser
A440	9850 805006	Leiterplatte k	PCB		
F400	9825 810107	Sicherung	fuse	FF6,3A	5x20mm
F404	9825 810107	Sicherung	fuse	FF6,3A	
H1	9835 501005	Laser	laser		
H2	9835 501005	Laser	laser		
H3	9835 501005	Laser	laser		
M1	9800 150009	Nähantrieb o.S.	sewing motor	QE3760	ohne Steuerung
M3	0510 86BYGT03YA	Schrittmotor	step motor		Y-Achse
M4	0510 86BYG103XA	Schrittmotor	step motor		X-Achse
Q0	9815 580008	Netzschalter	main switch		rot-gelb
S8	9815 710103	Induktivgeber	approximate switch		
S26	0510 TLP1204(3)	Lichtschanke k	light barrier		Ref. Y-Achse Ref. X-Achse
S27	0510 TLP1201A	Lichtschanke k	light barrier		
S100	9815 710201	Induktivgeber	approximate switch	IFRM 08P1104/PL	---> 06/2003 07/2003 --->
S100	9815 710100	Induktivgeber	approximate switch	NBB1,5-8GM40-Z0	
X0	9825 190104	Netzstecker	mains plug		
X1	9825 190103	Steckdose	wall socket		
Y2	0510 5100816Z	Magnet	solenoid		
Y3	0530 5300106	Magnet	solenoid		
510-211/-213/-214 530-211					
Y1	0510 D2804110	Magnet	solenoid		optional
Y1	9710 063000	Magnetventil	solenoid valve		
510-212					
Y1	9710 063000	Magnetventil	solenoid valve		

9890 510001 B / 7

0 2. Sep. 2005

Zusatzeinrichtung
optional equipment

c	03.0	29.08.05	Cz	Datum	18.02.03
b	02.0	10.12.04	Ba	Bearb.	Ba
a	01.0	26.06.03	Ba	Gepr.	<i>Felber</i>
	Anderung	Datum	Name	Norm	



DÜRKOPP
ADLER AG
Bielefeld

Teilfamilie	
Freigabe	0116 / 05

510/530, DAC III
Betriebsmittel, Teiteliste
equipment, parts list

Bauschaltplan
9890 510001 B

Blatt
7 / 7