

Contents

Pfaff 138-6

Zigzag flat-bed sewing machine with presser foot

	Page
I/1; I/2 Front Parts.....	5
II/1; II/2 Arm Parts.....	13
III Bedplate Parts.....	21
IV/1; IV/2; IV/3 Accessory Parts	25

Pfaff 138-4

Zigzag flat-bed sewing machine with roller presser

V Complementary Parts of the Pfaff 138-4.....	37
--	----

Pfaff 138-115/01-6

Zigzag flat-bed sewing machine with cording device

V Complementary Parts of the Pfaff 138-115/01-6.....	37
---	----

Pfaff 138-6 U

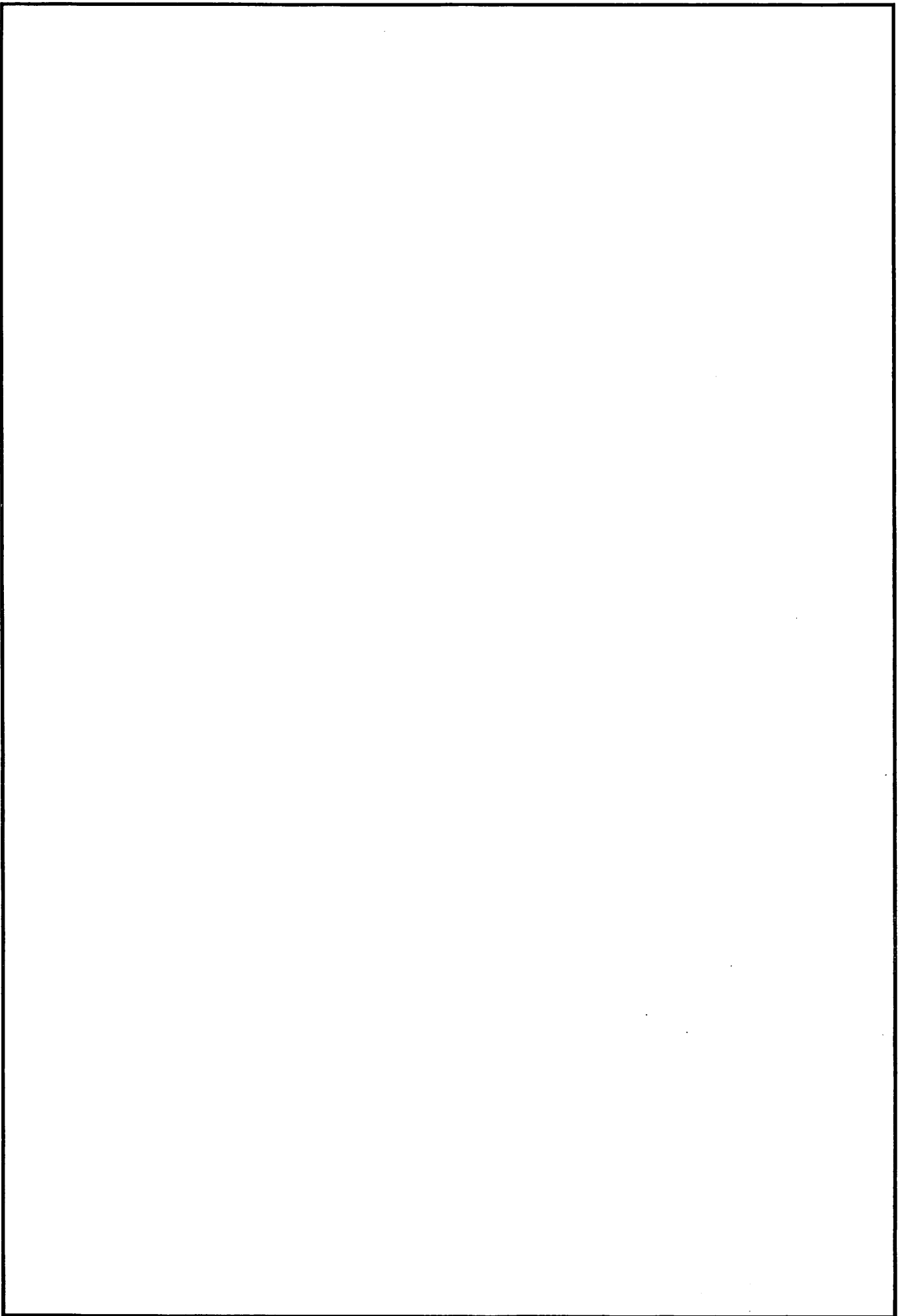
Zigzag flat-bed sewing machine with triangular eccentric

VI Complementary Parts of the Pfaff 138-6 U.....	41
---	----

Pfaff 138-260

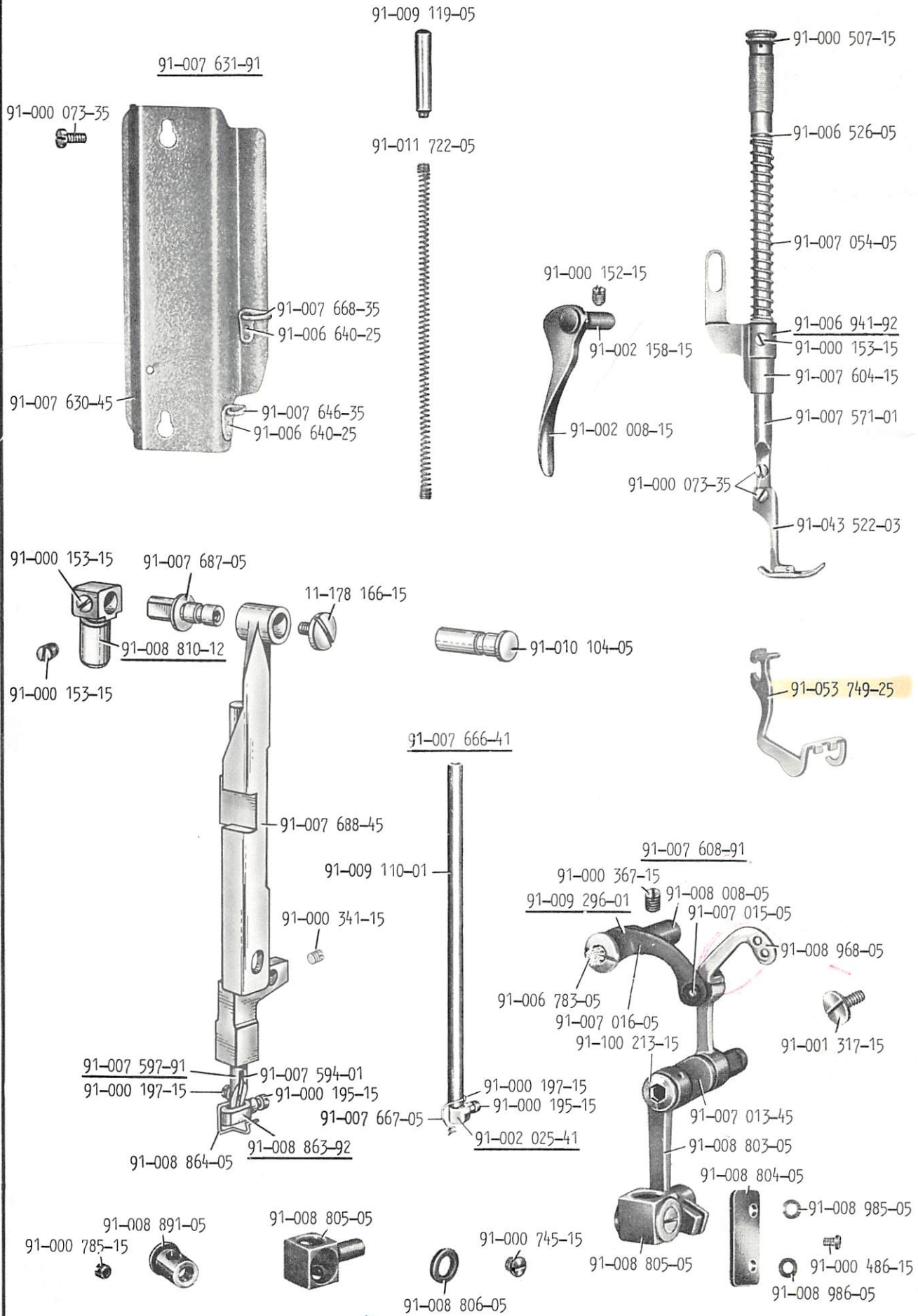
Zigzag flat-bed sewing machine with automatic embroidery mechanism

VII Complementary Parts of the Pfaff 138-260.....	45
Stitch width and needle position cams of the Pfaff 138-260.....	49
Numerical Index.....	51



I/1

Front Parts

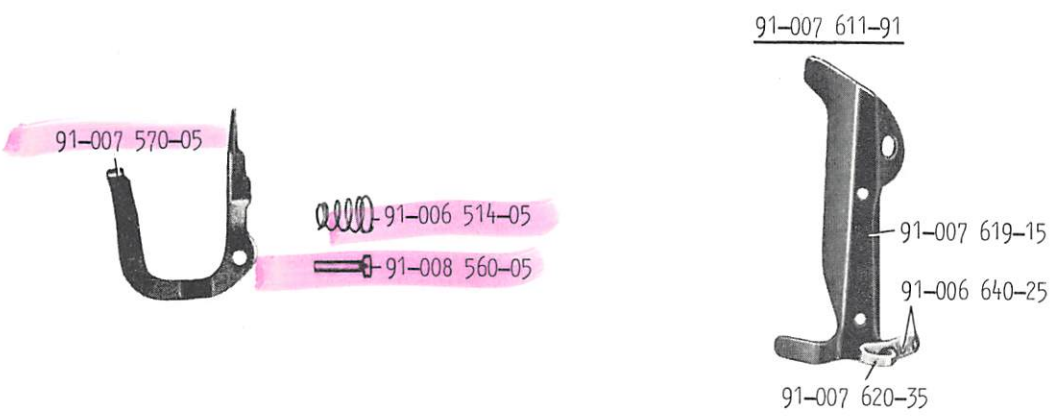
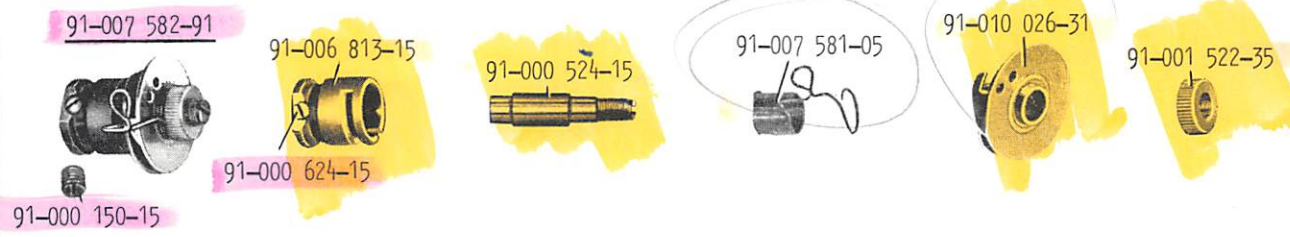
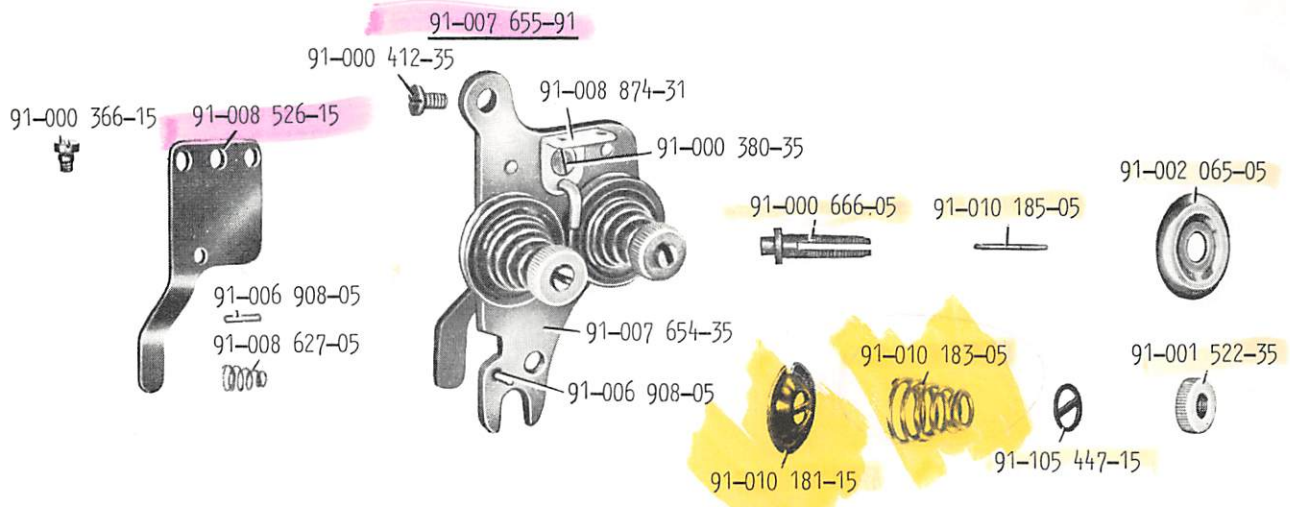


11-178 166-15	End screw (M 4x5 DIN 921-5S) for No.91-007 687-05	91-007 594-01	Needle bar for No.91-007 597-91
91-000 073-35	Fastening screw for Nos.91-007 631-91; 91-043 522-03;91-051 145-03;91-051 493-03; 91-051 998-03;91-053 749-25;91-053 750-25	<u>91-007 597-91</u>	Needle bar (standard version) compl., consisting of Nos.91-000 197-15; 91-007 594-01; 91-008 863-92; 91-008 864-05
91-000 152-15	Fastening screw for No.91-002 158-15	91-007 604-15	Presser bar lifting bracket
91-000 153-15	Fastening screw for Nos.91-006 941-92; 91-008 810-12	<u>91-007 608-91</u>	Take-up lever, compl., consisting of Nos.91-000 745-15; 91-000 785-15; 91-007 013-45; 91-008 008-05; 91-008 803-05; 91-008 804-05; 91-008 805-05; 91-008 806-05; 91-008 891-05; 91-009 296-01; 91-100 213-15
91-000 195-15	Fastening screw for Nos.91-002 025-41; 91-008 863-92	91-007 630-45	Face plate
91-000 197-15	Fastening screw for Nos.91-007 667-05; 91-008 864-05	<u>91-007 631-91</u>	Face plate, compl., consisting of Nos.91-006 640-25; 91-007 630-45; 91-007 646-35; 91-007 668-35
91-000 341-15	Fastening screw for No.91-008 723-05 (see Section II/1)	91-007 646-35	Thread guide, lower, for No.91-007 630-45
91-000 367-15	Fastening screw for No.91-008 008-05	<u>91-007 666-41</u>	Needle bar, (special version) compl., consisting of Nos.91-000 197-15; 91-002 025-41; 91-007 667-05; 91-009 110-01
91-000 486-15	Fastening screw for No.91-008 804-05	91-007 667-05	Thread guide for No.91-009 110-01
91-000 507-15	Pressure regulating screw	91-007 668-35	Thread guide, upper, for No.91-007 630-45
91-000 745-15	Fastening screw for No.91-008 806-05	91-007 687-05	Hinge stud (2nd version) for needle bar frame
91-000 785-15	Fastening screw for No.91-008 891-05	91-007 688-45	Needle bar frame
91-001 317-15	End screw (slotted screw) for No.91-007 013-45 Remarks: End screw No.91-001 317-15 cannot be replaced by new end screw No.91-100 213-15	91-008 008-05	Hinge stud for No.91-007 016-05
91-002 008-15	Presser bar lifter	91-008 803-05	Needle bar connecting link /
<u>91-002 025-41</u>	Needle holder, w/ set screw No.91-000 195-15, for No.91-009 110-01	91-008 804-05	Needle bar connecting link guide
91-002 158-15	Hinge stud for No.91-002 008-15	91-008 805-05	Needle bar connecting stud
91-006 526-05	Washer for Nos.91-000 507-15; 91-007 054-05	91-008 806-05	Washer for No.91-008 805-05
91-006 640-25	Rivet for Nos.91-007 646-35; 91-007 668-35	<u>91-008 810-12</u>	Bearing stud, w/ set screw No.91-000 153-15, for No.91-007 687-05
91-006 783-05	Oil wick, 100 mm long, for No.91-008 008-05	<u>91-008 863-92</u>	Needle holder, w/ set screw No.91-000 195-15, for No.91-007 594-01
<u>91-006 941-92</u>	Presser bar guide collar, w/ set screw No.91-000 153-15	91-008 864-05	Thread guide for No.91-007 594-01
91-007 013-45	Take-up crank	91-008 891-05	Needle bar connecting stud swivel for No.91-008 805-05
91-007 015-05	Hinge pin for Nos.91-007 016-05; 91-008 968-05	91-008 968-05	Take-up lever
91-007 016-05	Take-up lever link	91-008 985-05	Spacing washer, 0.1 mm thick for No.91-008 804-05
91-007 054-05	Presser bar spring, outer	91-008 986-05	Spacing washer, 0.2 mm thick for No.91-008 804-05
91-007 571-01	Presser bar		

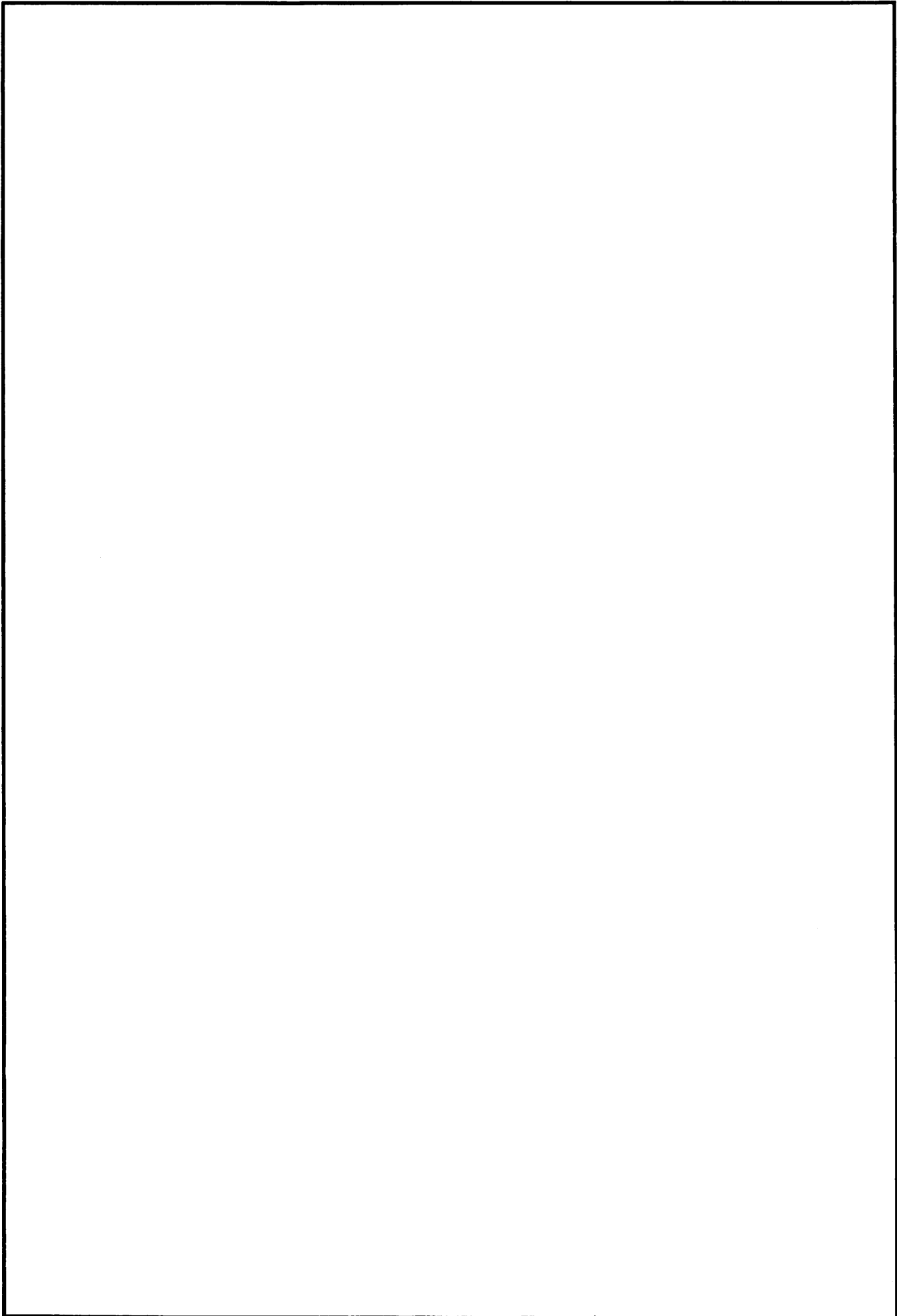
- 91-009 110-01 Needle bar for No.91-007 666-41
- 91-009 119-05 Presser bar spring stop pin for No.91-011 722-05
- 91-009 296-01 Take-up lever, w/ link, compl.,
consisting of Nos.91-007 015-05;
91-007 016-05; 91-008 968-05
- 91-010 104-05 Hinge stud (1st version)
for needle bar frame
Remarks: Hinge stud No.91-010 104-05
cannot be replaced by hinge stud
No.91-007 687-05
- 91-011 722-05 Presser bar spring, inner
- 91-043 522-03 Zigzag presser foot (4.5 mm stitch width,
Models A and B), subcl.-6/01
No.91-051 145-03 Zigzag presser foot
(6.0 mm stitch width,
Model A), subcl.-6/01, not ill.
No.91-051 998-03 Zigzag presser foot
(6.0 mm stitch width,
Model B), subcl.-6/01, not ill.
No.91-051 493-03 Zigzag presser foot
(2.5 mm stitch width,
Model A), subcl.-6/02, not ill.
- 91-053 749-25 Finger guard (4.5 mm stitch width)
No.91-053 750-25 Finger guard (6.0 mm stitch width),
not ill.
- 91-100 213-15 End screw (allen screw) for No.91-007 013-45

I/2

Front Parts



91-000 150-15 Fastening screw for No.91-007 582-91
 91-000 366-15 Fastening screw for No.91-008 526-15
 91-000 380-35 Fastening screw for No.91-008 874-31
 91-000 412-35 Fastening screw for Nos.91-007 611-91;
 91-007 655-91
 91-000 524-15 Tension stud for No.91-006 813-15
 91-000 624-15 Fastening screw for No.91-000 524-15
 91-000 666-05 Tension stud
 91-001 522-35 Nut for Nos.91-000 524-15; 91-000 666-05
 91-002 065-05 Tension disc
 91-006 514-05 Pressure spring for No.91-007 570-05
 91-006 640-25 Rivet for No.91-007 620-35
 91-006 813-15 Thread check spring regulator
 91-006 908-05 Position pin for Nos.91-008 627-05;
 91-010 026-31
 91-007 570-05 Tension release lever
 91-007 581-05 Thread check spring
91-007 582-91 Thread guide, compl.,
 consisting of Nos.91-000 524-15; 91-000 624-15;
 91-001 522-35; 91-006 813-15; 91-007 581-05;
 91-010 026-31
91-007 611-91 Take-up lever guard, compl.,
 consisting of Nos.91-006 640-25; 91-007 619-15;
 91-007 620-35
 91-007 619-15 Thread guard
 91-007 620-35 Thread guide for No.91-007 619-15
 91-007 654-35 Tension bracket
91-007 655-91 Thread tension, compl.,
 consisting of Nos.91-000 366-15; 91-000 380-35;
 91-000 666-05; 91-001 522-35; 91-002 065-05;
 91-006 908-05; 91-007 654-35; 91-008 526-15;
 91-008 627-05; 91-008 874-31; 91-010 181-15;
 91-010 183-05; 91-010 185-05; 91-105 447-15
 91-008 526-15 Tension release plate
 91-008 560-05 Hinge stud for No.91-007 570-05
 91-008 627-05 Pressure spring for No.91-008 526-35
 91-008 874-31 Thread guide for No.91-007 654-35
 91-010 026-31 Thread controller disc
 91-010 181-15 Tension release washer
 91-010 183-05 Tension spring
 91-010 185-05 Tension release pin
 91-022 672-05 Oil wick, 40 mm long, for No.91-063 047-05
 91-063 047-05 Oil tube, 20 mm long, for No.91-007 016-05
 (see Section I/1)
 91-063 048-05 Oil tube, 10 mm long, for No.91-008 968-05
 (see Section I/1)
 91-063 049-05 Oil wick, 16 mm long, for No.91-063 048-05
 91-105 447-15 Washer for No.91-001 522-35



U

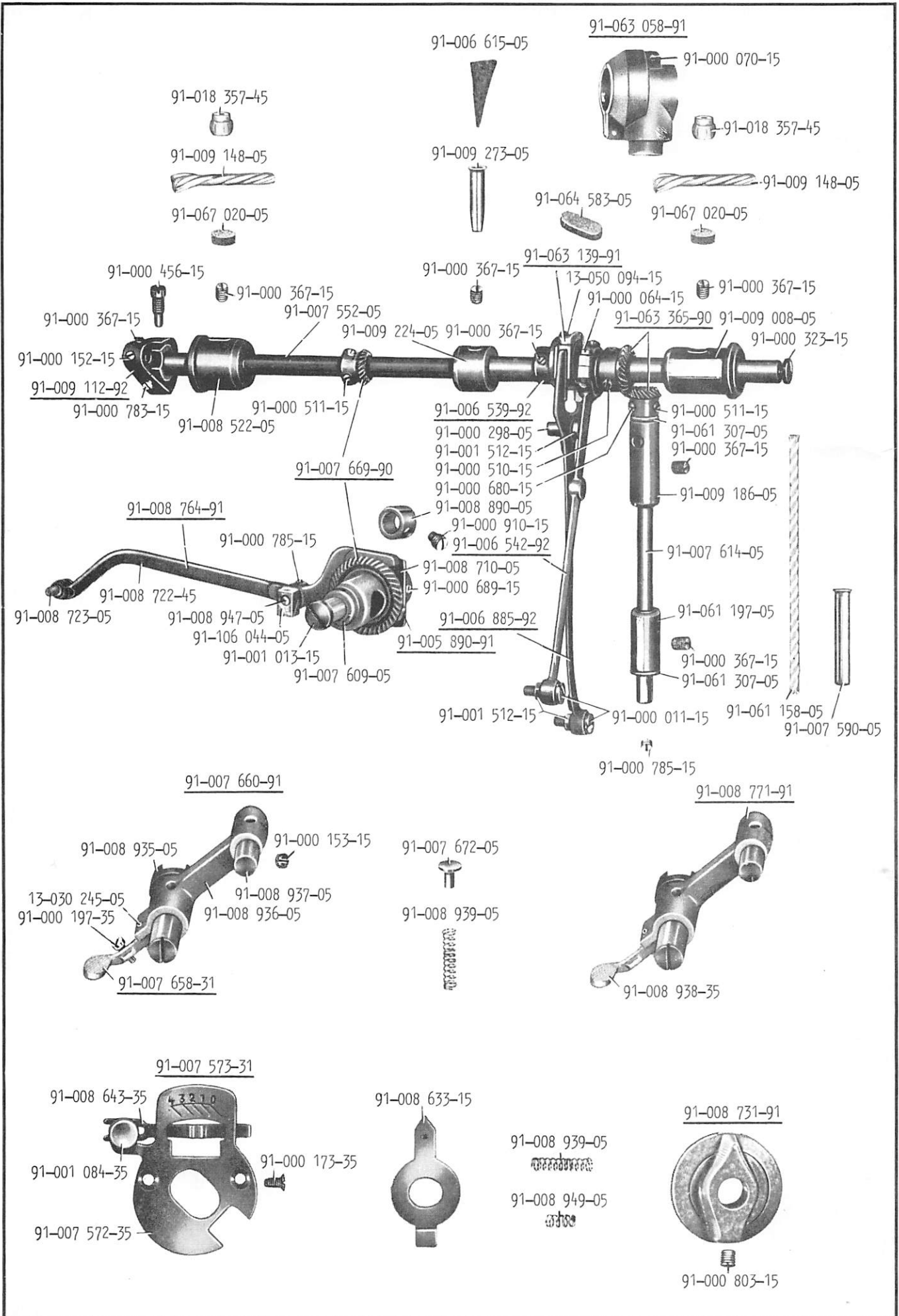
U

U

U

II/1

Arm Parts

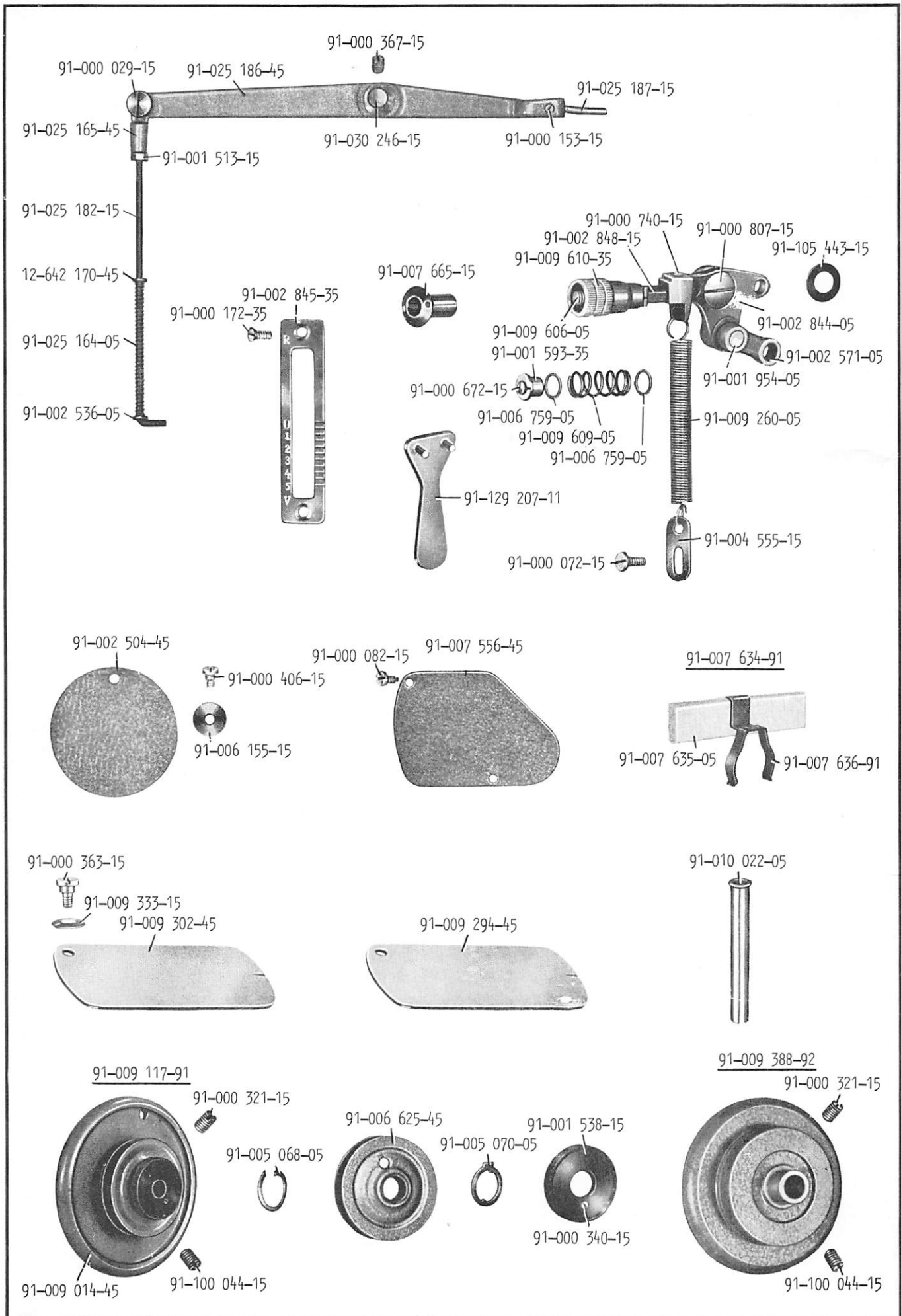


13-030 245-05	Hinge pin (4h8x10 DIN 7-9S 20 K) for No.91-007 658-31	91-007 573-31	Zigzag scale, 4.5 mm stitch width, compl., consisting of Nos.91-001 084-35; 91-007 572-35; 91-008 643-35 No.91-007 663-31
13-050 094-15	Position pin (2x10 DIN 1481) for No.91-063 139-91		Zigzag scale, compl., 6.0 mm stitch width, not ill. Same components as No.91-007 573-31, but incorporating zigzag scale No.91-007 653-35
91-000 011-15	Hinge screw for Nos.91-006 542-92; 91-006 885-92		
91-000 064-15	Fastening screw for No.91-006 542-92		
91-000 070-15	Fastening screw for No.91-063 058-91		
91-000 152-15	Fastening screw for No.91-007 013-45 (see Section I)		
91-000 153-15	Fastening screw for No.91-008 937-05		
91-000 173-35	Fastening screw for No.91-007 572-35		
91-000 197-35	Stop screw for No.91-007 658-31		
91-000 298-05	Hinge screw for No.91-006 885-92		
91-000 323-15	End screw for No.91-007 552-05		
91-000 367-15	Fastening screw for Nos.91-006 539-92; 91-008 522-05; 91-009 008-05; 91-009 186-05; 91-009 224-05; 91-061 197-05; 91-007 013-45 (see Section I/1)		
91-000 456-15	Fastening screw for No.91-009 112-92		
91-000 510-15	Fastening screw for No.91-063 365-90		
91-000 511-15	Fastening screw, blunt, for No.91-063 365-90		
91-000 680-15	Fastening screw, pointed, for No.91-063 365-90		
91-000 689-15	Fastening screw for No.91-008 710-05		
91-000 783-15	Fastening screw for No.91-009 112-92		
91-000 785-15	End screw for No.91-007 614-05 and fastening screw for No.91-008 947-05		
91-000 803-15	Fastening screw for No.91-008 731-91		
91-000 910-15	Thrust screw for No.91-008 710-05		
91-001 013-15	Fastening screw for No.91-007 609-05		
91-001 084-35	Regulating screw for No.91-008 643-35		
91-001 512-15	Nut for Nos.91-000 011-15; 91-000 298-05		
<u>91-005 890-91</u>	Set collar, compl., consisting of Nos.91-000 689-15; 91-000 910-15; 91-008 710-05; 91-008 890-05		
<u>91-006 539-92</u>	Feed eccentric, w/ set screw No.91-000 367-15		
<u>91-006 542-92</u>	Feed listing connection, w/ set screw No.91-000 064-15		
91-006 615-05	Oil pad for No.91-009 273-05		
<u>91-006 885-92</u>	Feed forked connecting, w/ No.91-000 011-15 Hinge screw No.91-000 298-05 Hinge screw No.91-001 512-15 Nut		
91-007 552-05	Arm shaft		
91-007 572-35	Zigzag scale, 4.5 mm stitch width		
91-007 590-05	Oil tube, 44 mm long, for No.91-061 197-05		
91-007 609-05	Transverse shaft for No.91-007 669-90		
91-007 614-05	Vertical shaft		
<u>91-007 658-31</u>	Needle position lever (4.5 mm stitch width) w/ stop pin No.91-000 197-35		
<u>91-007 660-91</u>	Zigzag regulator arm, 4.5 mm stitch width, compl., consisting of Nos.13-030 245-05; 91-007 658-31; 91-008 935-05; 91-008 936-05; 91-008 937-05		
<u>91-007 669-90</u>	Bevel gear assembly, 4.5 mm stitch width, w/ set screw No.91-000 511-15 No.91-007 670-90 Bevel gear assembly, 6.0 mm stitch width, w/ set screw No.91-000 511-15, not ill.		
91-007 672-05	Pin, spring-loaded, for No.91-007 658-31		
91-008 522-05	Arm shaft bushing, front		
91-008 633-15	Zigzag pointer, 4.5 mm stitch width, for No.91-007 572-35 No.91-064 590-15 Zigzag pointer, 6.0 mm stitch width, not ill.		
91-008 643-35	Stitch width regulating slide for No.91-007 572-35		
91-008 710-05	Set collar for No.91-005 890-91		
91-008 722-45	Needle bar frame pitman		
91-008 723-05	Eccentric stud for No.91-008 722-45		
<u>91-008 731-91</u>	Bight control button, w/ set screw No.91-000 803-15, for No.91-007 573-31		
<u>91-008 764-91</u>	Needle bar frame pitman, compl., consisting of Nos.91-000 785-15; 91-008 722-45; 91-008 723-05; 91-008 947-05; 91-106 044-05		
<u>91-008 771-91</u>	Zigzag regulator arm, 6.0 mm stitch width, compl., Same components as No.91-007 660-91, but incorporating needle position lever No.91-008 938-35		
91-008 890-05	Split bushing for No.91-008 710-05		
91-008 935-05	Zigzag regulator stud		
91-008 936-05	Zigzag regulator arm for No.91-008 935-05		

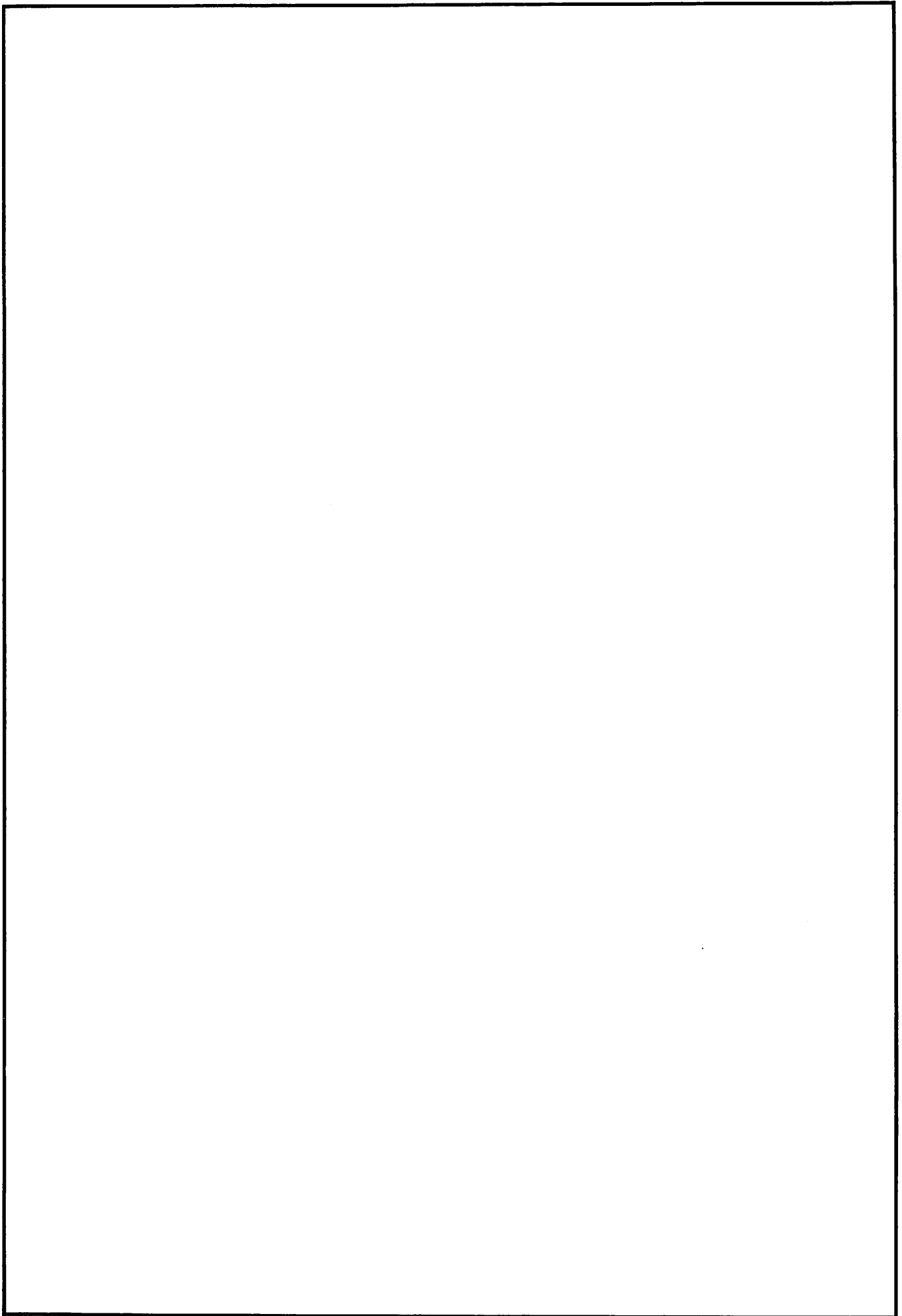
91-008 937-05 Hinge stud for No.91-008 936-05
 91-008 938-35 Needle position lever, 6.0 mm stitch width
 91-008 939-05 Pressure spring, long, for Nos.91-007 672-05;
 91-008 731-91
 91-008 947-05 Eccentric stud for No.91-008 722-45
 91-008 949-05 Pressure spring, short, for No.91-008 731-91
 91-009 008-05 Arm shaft bushing, rear
91-009 112-92 Needle bar crank, w/ set screw Nos.91-000 152-15;
 91-000 367-15; 91-000 783-15
 91-009 148-05 Oil wick, 60 mm long, for No.91-018 357-45
 91-009 186-05 Vertical shaft bushing, upper
 91-009 224-05 Arm shaft bushing, center
 91-009 273-05 Oil tube, 33 mm long, for No.91-009 224-05
 91-018 357-45 Oil cup for Nos.91-008 522-05; 91-009 008-05
 91-061 158-05 Oil wick, 2 mm dia.; 240 mm long,
 for No.91-007 614-05
 91-061 197-05 Vertical shaft bushing, lower
 91-061 307-05 Friction washer for Nos.91-009 186-05;
 91-061 197-05
91-063 058-91 Bevel gear case, w/
 set screw No.91-000 070-15
91-063 139-91 Feed driving eccentric sleeve,
 w/ position pin No.13-050 094-15
91-063 365-90 Bevel gear assembly, w/
 No.91-000 510-15 Set screw
 No.91-000 511-15 Set screw, blunt
 No.91-000 680-15 Set screw, pointed
 91-064 583-05 Oil pad for No.91-063 139-91
 91-067 020-05 Oil pad, 11 mm dia., 4 mm high,
 for Nos.91-008 522-05; 91-009 008-05
 91-106 044-05 Slide block for No.91-008 722-45

II/2

Arm Parts

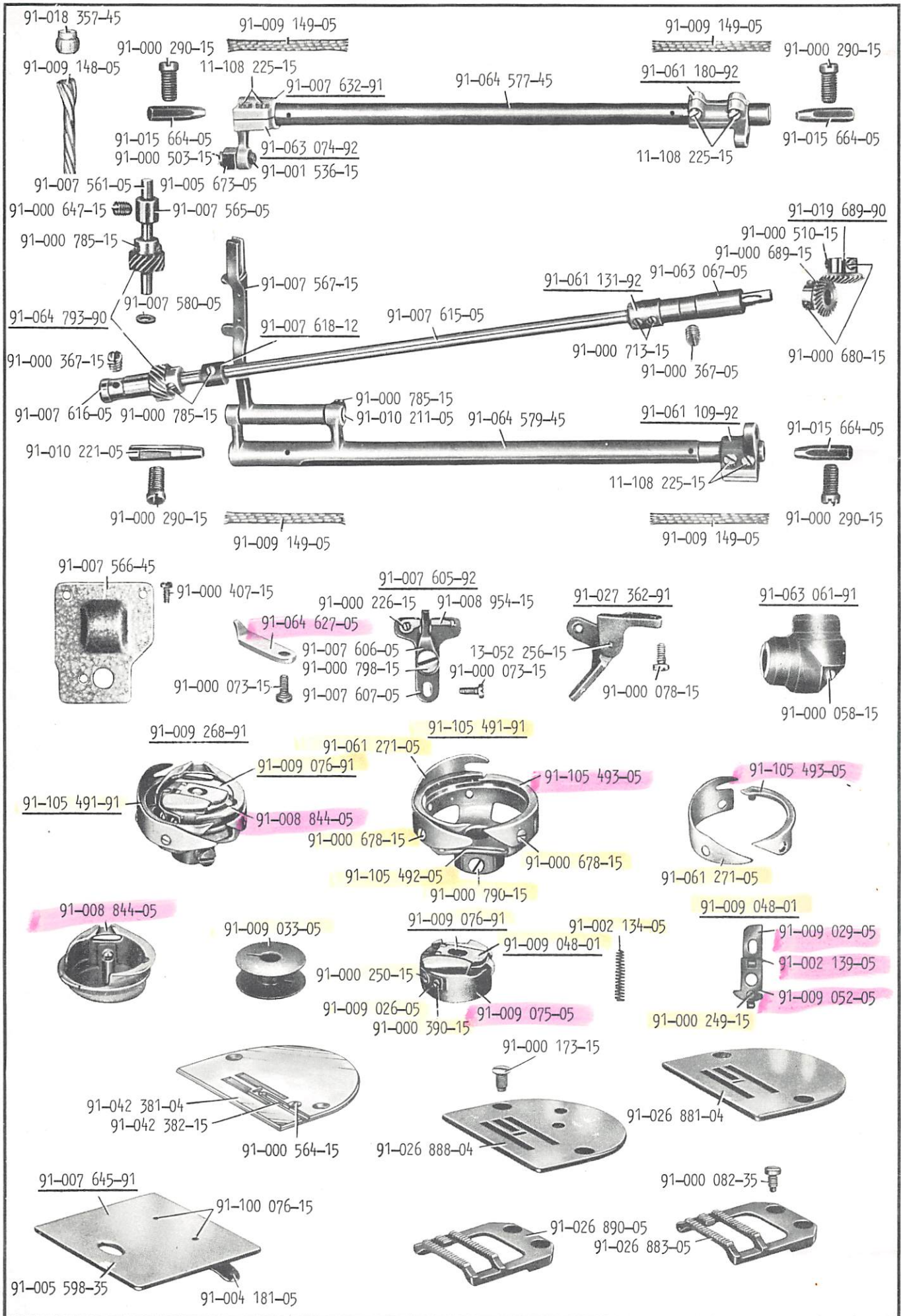


12-642 170-45	Circlip for No.91-025 164-05	91-007 665-15	Jam nut (special version) for Nos.91-009 606-05; 91-009 610-35 (in lieu of Nos.91-000 672-15; 91-001 593-35; 91-006 759-05; 91-009 609-05)
91-000 029-15	Hinge screw for No.91-025 165-45	91-009 014-45	Balance wheel for No.91-009 117-91
91-000 072-15	Fastening screw for No.91-004 455-15	<u>91-009 117-91</u>	Balance wheel (for treadle drive), compl., consisting of Nos.91-000 321-15; 91-000 340-15; 91-001 538-15; 91-005 068-05; 91-005 070-05; 91-006 625-45; 91-009 014-45; 91-100 044-15
91-000 082-15	Fastening screw for No.91-007 556-45	91-009 260-05	Tension spring for No.91-002 844-05
91-000 153-15	Fastening screw for No.91-025 187-15	91-009 294-45	Top cover (for treadle drive)
91-000 172-35	Fastening screw for No.91-002 845-35	91-009 302-45	Top cover (for power drive)
91-000 321-15	Fastening screw, pointed, for Nos.91-009 117-91; 91-009 388-92	91-009 333-15	Spring washer for No.91-000 363-15
91-000 340-15	Stop screw for No.91-001 538-15	<u>91-009 388-92</u>	Balance wheel (for power drive) w/ No.91-000 321-15 Set screw, pointed No.91-100 044-15 Set screw, blunt
91-000 363-15	Fastening screw for Nos.91-009 294-45; 91-009 302-45	91-009 606-05	Feed regulator lever stud for No.91-002 844-05
91-000 367-15	Fastening screw for No.91-030 246-15	91-009 609-05	Retaining spring for No.91-009 610-35
91-000 406-15	Fastening screw for No.91-002 504-45	91-009 610-35	<u>Feed regulator knob</u>
91-000 672-15	End screw for No.91-001 593-35	91-010 022-05	Oil tube, 56 mm long, for No.91-063 067-05 (see Section III)
91-000 740-15	Fastening screw for No.91-009 606-05	91-025 164-05	Pressure spring for No.91-025 182-15
91-000 807-15	Hinge screw for No.91-002 844-05	91-025 165-45	Lifting lever connection rod joint for Nos.91-025 182-15; 91-025 186-45
91-001 513-15	Nut for Nos.91-025 165-45; 91-025 182-15	91-025 182-15	Lifting lever connecting rod
91-001 538-15	Stop motion nut for No.91-006 625-45	91-025 186-45	Lifting lever
91-001 593-35	Nut for No.91-009 606-05	91-025 187-15	Lifting lever pin for No.91-025 186-45
91-001 954-05	Hinge stud for No.91-002 844-05	91-030 246-15	Hinge stud for No.91-025 186-45
91-002 504-45	Arm cover, rear	91-100 044-15	Fastening screw, blunt, for Nos.91-009 117-91; 91-009 388-92
91-002 536-05	Washer for No.91-025 164-05	91-105 443-15	Spring washer for No.91-000 807-15
91-002 571-05	Feed regulator link for No.91-002 844-05	91-129 207-11	Pin spanner (special version) for No.91-007 665-15
91-002 844-05	Feed regulator	91-007 551-45	Arm (not ill.)
91-002 845-35	Feed regulator index plate		
91-002 848-15	Feed regulator lever stud guide for No.91-009 606-05		
91-004 555-15	Spring suspension plate		
91-005 068-05	Spring washer for No.91-009 014-45		
91-005 070-05	Balance wheel friction washer for No.91-006 625-45		
91-006 155-15	Spring washer for No.91-000 406-15		
91-006 625-45	Pulley for No.91-009 014-45		
91-006 759-05	Washer for No.91-009 609-05		
91-007 556-45	Arm cover, rear		
<u>91-007 634-91</u>	Oil pad, compl., consisting of Nos.91-007 635-05; 91-007 636-91		
91-007 635-05	Oil pad for No.91-007 636-91		
91-007 636-91	Bracket for No.91-007 635-05		





Bedplate Parts

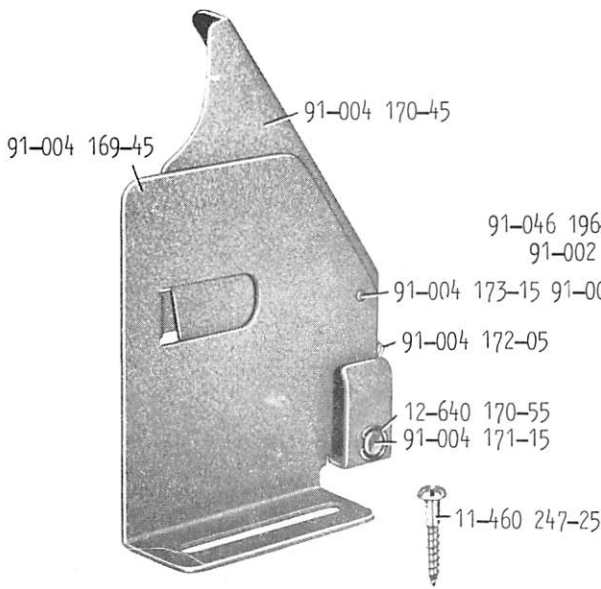


11-108 225-15	Binding screw (A M 5x10 DIN 84-8G; overall length = 13.5 mm) for Nos.91-061 109-92; 91-061 180-92; 91-063 074-92 Obsolete version = binding screw No.91-000 560-15 (7/32"x40, overall length = 14.5 mm) Remarks: Binding screw No.91-000 560-15 cannot be replaced by binding screw No.11-108 225-15	91-007 566-45	Grease chamber cover
13-052 256-15	Hinge pin for No.91-027 362-91	91-007 567-15	Feed bar
91-000 058-15	Fastening screw for No.91-063 061-91	91-007 580-05	Friction washer for No.91-007 561-05
91-000 073-15	Fastening screw for Nos.91-007 605-92; 91-064 627-05	<u>91-007 605-92</u>	Bobbin case position finger, (1st version) complete, consisting of Nos.91-000 226-15; 91-000 798-15; 91-007 606-05; 91-007 607-05; 91-008 954-15
91-000 078-15	Fastening screw for No.91-027 362-91	91-007 606-05	Bobbin case position finger for No.91-007 607-05
91-000 082-35	Fastening screw for Nos.91-026 883-05; 91-026 890-05	91-007 607-05	Bobbin case position finger bracket
91-000 173-35	Fastening screw for Nos.91-026 881-04; 91-026 888-04	91-007 615-05	Hook drive shaft
91-000 226-15	Fastening screw for No.91-008 954-15	91-007 616-05	Hook drive shaft bushing, front
91-000 249-15	Stop screw for No.91-009 052-05	<u>91-007 618-12</u>	Set collar, w/ set screw No.91-000 785-15, for No.91-007 615-05
91-000 250-15	Regulating screw for No.91-009 026-05	<u>91-007 632-91</u>	Feed lifting shaft crank, front, compl., consisting of Nos.91-000 503-15; 91-001 536-15; 91-005 673-05; 91-063 074-92
91-000 290-15	Fastening screw for Nos.91-010 221-05; 91-015 664-05	91-007 645-91	Bed slide, compl., consisting of Nos.91-004 181-05; 91-005 598-35; 91-100 076-15
91-000 367-15	Fastening screw for Nos.91-007 616-05; 91-063 067-05	91-008 844-05	Bobbin case base
91-000 390-15	Fastening screw for No.91-009 026-05	91-008 954-15	Buffer spring for No.91-007 605-92
91-000 407-15	Fastening screw for No.91-007 566-45	91-009 026-05	Tension spring for No.91-009 075-05
91-000 503-15	Hinge screw for No.91-005 673-05	91-009 029-05	Bobbin case latch lever for No.91-009 052-05
91-000 510-15	Fastening screw for No.91-019 689-90	91-009 033-05	Bobbin
91-000 564-15	Fastening screw for No.91-042 382-15	<u>91-009 048-01</u>	Bobbin case latch, compl., consisting of Nos.91-002 139-05; 91-009 029-05; 91-009 052-05
91-000 647-15	Fastening screw for No.91-007 565-05	91-009 052-05	Bobbin case latch slide for No.91-009 048-01
91-000 678-15	Fastening screw for Nos.91-061 271-05; 91-105 493-05	91-009 075-05	Bobbin case cap
91-000 680-15	Fastening screw, pointed, for No.91-019 689-90	<u>91-009 076-91</u>	Bobbin case cap, compl., consisting of Nos.91-000 249-15; 91-000 250-15; 91-000 390-15; 91-002 134-05; 91-009 026-05; 91-009 048-01; 91-009 075-05 No.91-007 681-91 Bobbin case cap, (special version), w/ thread guide, compl., not ill. Same components as No.91-009 076-91, but incorporating bobbin case No.91-007 682-01 and thread guide No.91-007 684-05
91-000 689-15	Fastening screw, blunt, for No.91-019 689-90	91-009 148-05	Oil wick, 150 mm long, for No.91-018 357-45
91-000 713-15	Fastening screw for No.91-061 131-92	91-009 149-05	Oil wick, 150 mm long, for Nos.91-064 577-45; 91-064 579-45
91-000 785-15	Fastening screw for Nos.91-007 618-12; 91-010 211-05; 91-064 793-90	<u>91-009 268-91</u>	Hook, with bobbin case, compl., consisting of Nos.91-008 844-05; 91-009 076-91; 91-105 491-91
91-000 790-15	Fastening screw for No.91-105 492-05		
91-000 798-15	Hinge screw for No.91-007 606-05		
91-001 536-15	Nut for No.91-000 503-15		
91-002 134-05	Pressure spring for No.91-009 048-01		
91-002 139-05	Hinge pin for Nos.91-009 029-05; 91-009 052-05		
91-004 181-05	Bed slide spring for No.91-005 598-35		
91-005 598-35	Bed slide		
91-005 673-05	Slide block for No.91-007 632-91		
91-007 561-05	Hook shaft		
91-007 565-05	Hook shaft bushing		

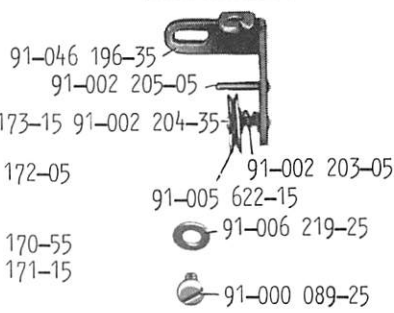
91-010 211-05	Feed bar hinge stud for No.91-064 579-45	<u>91-061 180-92</u>	Feed lifting shaft crank, rear, w/ binding screw No.11-108 225-15
91-010 221-05	Center stud for No.91-064 579-45	91-061 271-05	Thread pull-off flange
91-015 664-05	Center stud for Nos.91-064 577-45; 91-064 579-45	<u>91-063 061-91</u>	Bevel gear case, w/ set screw No.91-000 058-15, for No.91-019 689-90
91-018 357-45	Oil cup for No.91-007 616-05	91-063 067-05	Hook drive shaft bushing, rear
91-019 689-90	Bevel gear assembly, w/ No.91-000 510-15 Set screw No.91-000 680-15 Set screw, pointed No.91-000 689-15 Set screw, blunt	<u>91-063 074-92</u>	Feed lifting shaft crank, front, w/ binding screw No.11-108 225-15
91-026 881-04	x Model Needle plate, 4.5 mm stitch width	91-064 577-45	Feed lifting shaft
91-026 883-05	Feed dog, 4.5 mm stitch width, (Model A). for No.91-026 881-04 No.91-026 882-05 Feed dog, 4.5 mm stitch width, Model A 1.0, not ill. for No.91-026 881-04 No.91-026 884-05 Feed dog, 4.5 mm stitch width Models A 1.4 and B, not ill., for No.91-026 881-04 No.91-042 380-04 Feed dog, 2.5 mm stitch width, Model A, not ill., for No.91-042 381-04	91-064 579-45	Feed rock shaft
91-026 888-04	x Model Needle plate, 6.0 mm stitch width	91-064 627-05	Bobbin case position finger (2nd version)
91-026 890-05	Feed dog, 6.0 mm stitch width (Model A) for No.91-026 888-04 No.91-026 889-05 Feed dog, 6.0 mm stitch width, Model A 1.0, not ill., for No.91-026 888-04 No.91-026 891-05 Feed dog, 6.0 mm stitch width, Models A 1.4 and B, not ill., for No.91-026 888-04	<u>91-064 793-90</u>	Helical gear assembly, w/ set screw No.91-000 785-15
<u>91-027 362-91</u>	Bell-crank bracket, w/ hinge pin No.13-052 256-15	91-100 076-15	Fastening screw for No.91-004 181-05
91-042 381-04	x Model Needle plate, 2.5 mm stitch width	<u>91-105 491-91</u>	Hook, compl., consisting of Nos.91-000 678-15; 91-000 790-15; 91-061 271-05; 91-105 492-05; 91-105 493-05 (Orders should specify machine class)
91-042 382-15	Needle plate insert for No.91-042 381-04	91-105 492-05	Hook
<u>91-061 109-92</u>	Feed rock shaft crank, rear, w/ binding screw No.11-108 225-15	91-105 493-05	Hook gib
<u>91-061 131-92</u>	Set collar, w/ set screw No.91-000 713-15, for No.91-007 615-05	91-007 559-05	Bed plate, not ill.,
		11-130 548-15	Fastening screw (M 12x35 DIN 912-86), not ill., for No.91-007 559-05
		13-060 400-05	Positioning pin (6x32 DIN 1471), not ill., for No.91-007 559-05

Accessory Parts

91-004 168-91



91-046 197-91



11-470 364-25



91-029 840-91



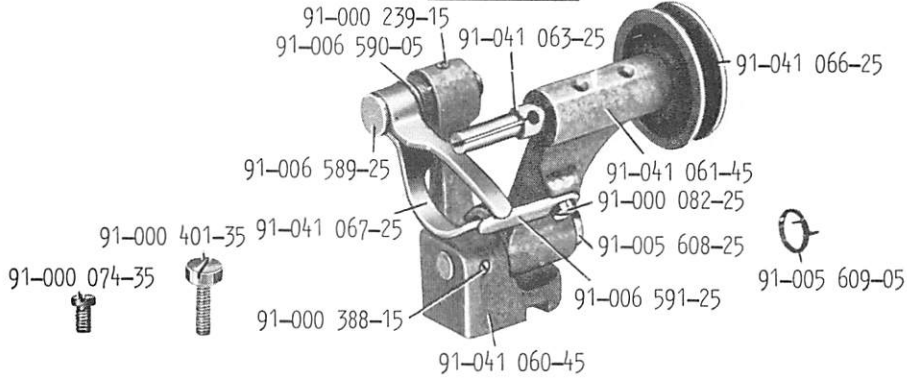
91-029 841-05



91-029 601-15

91-029 601-25

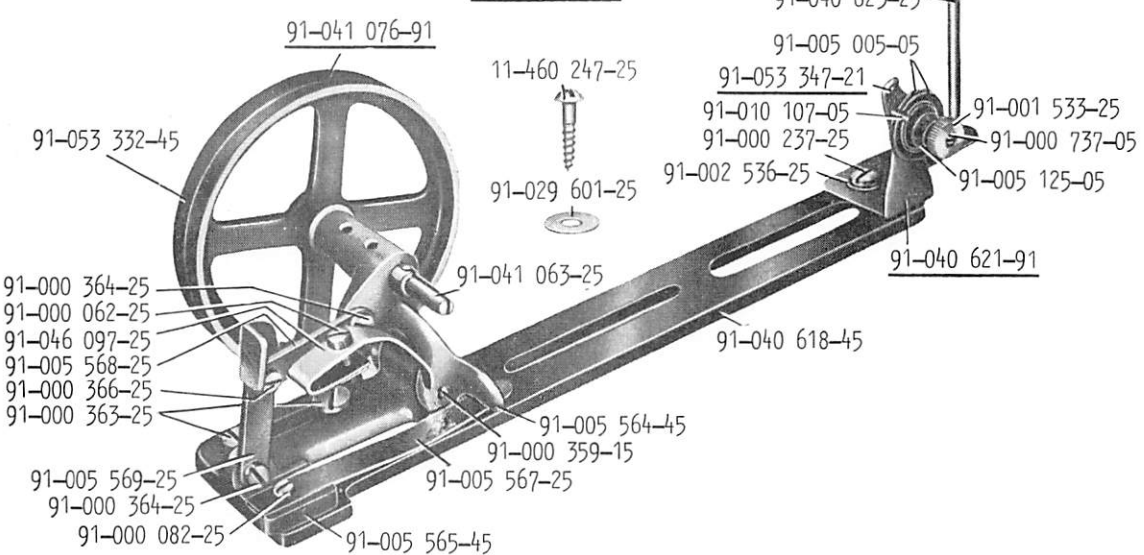
91-041 072-91



91-029 831-91



91-041 085-91



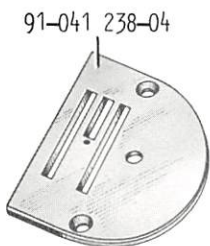
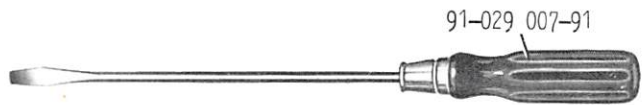
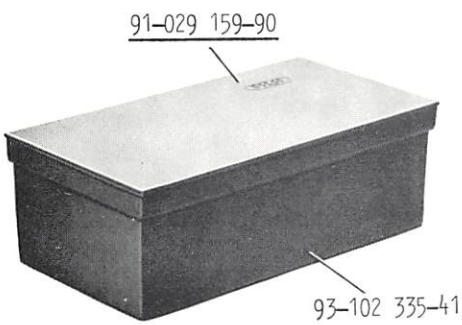
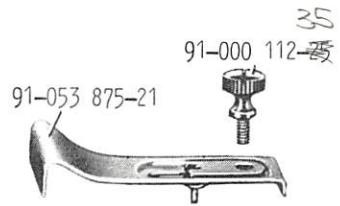
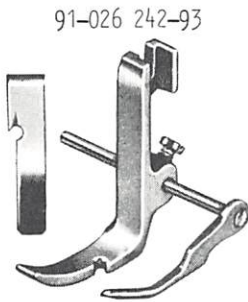
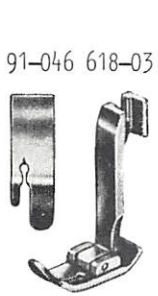
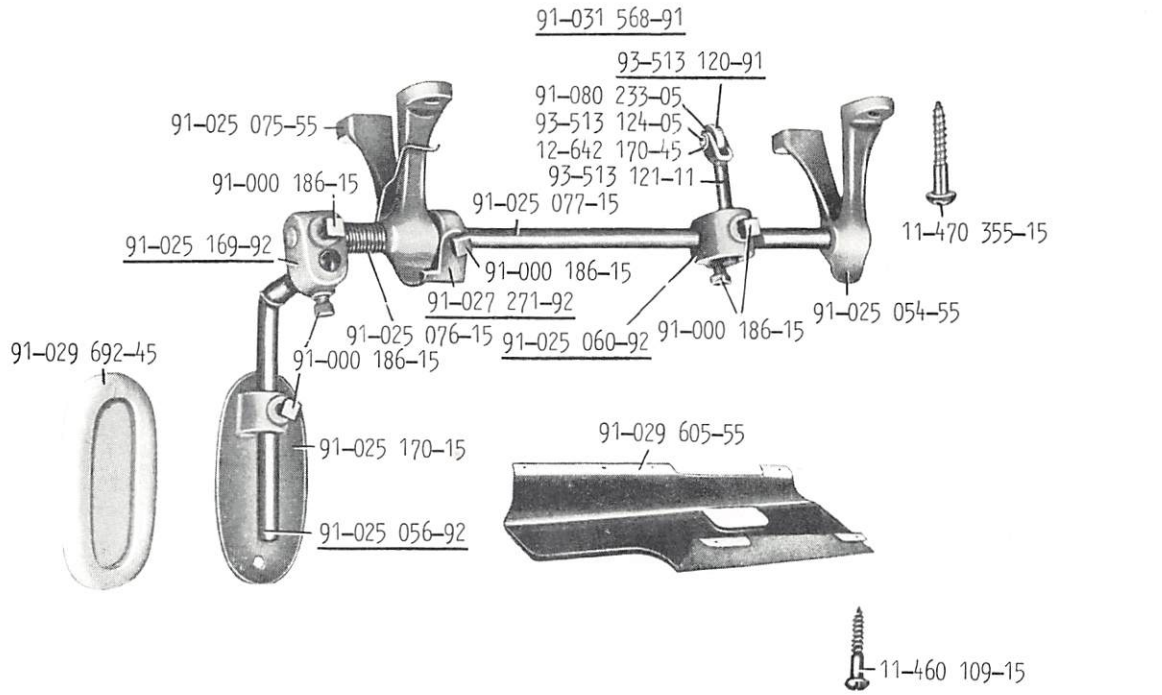
11-460 247-25	Wood screw (4.5x20 DIN 96-St) for Nos.91-004 168-91; 91-041 085-91	91-006 219-25	Washer for No.91-000 089-25
11-470 364-25	Wood screw (5.5x40 DIN 97-St) for No.91-029 840-91	91-006 589-25	Hinge stud for No.91-041 067-25
12-640 170-55	Slip washer (5 DIN 6799) for No.91-004 171-15	91-006 590-05	Torsion spring for No.91-041 067-25
91-000 062-25	Set screw for No.91-046 097-25	91-006 591-25	Stop for No.91-041 067-25
91-000 074-35	Guide screw for No.91-041 060-45	91-010 107-05	Position pin for No.91-053 347-21
91-000 082-25	Fastening screw for Nos.91-005 567-25; 91-006 591-25	91-029 601-25	Washer for Nos.11-460 247-25; 91-029 840-91
91-000 089-25	Fastening screw for No.91-046 197-91	91-029 831-91	Machine rest
91-000 237-25	Fastening screw for No.91-040 621-91	<u>91-029 840-91</u>	Catch, w/ leather No.91-029 841-05
91-000 239-15	Fastening screw for No.91-006 589-25	91-029 841-05	Leather for No.91-029 840-91
91-000 359-15	Hinge screw for Nos.91-005 564-45; 91-005 565-45	91-040 618-45	Bobbin winder base for Nos.91-040 621-91; 91-041 076-91
91-000 363-25	Fastening screw for No.91-041 076-91	<u>91-040 621-91</u>	Bobbin winder tension bracket, compl., consisting of Nos.91-000 737-05; 91-001 533-25; 91-005 005-05; 91-005 125-05; 91-040 623-25; 91-053 347-21
91-000 364-25	Hinge screw for Nos.91-005 568-25; 91-005 569-25	91-040 623-25	Spool pin
91-000 366-25	Hinge screw for Nos.91-005 568-25; 91-005 569-25	91-041 060-45	Bobbin winder frame base for No.91-041 061-45
91-000 388-15	Fastening screw for No.91-005 608-25	91-041 061-45	Bobbin winder frame for No.91-041 060-45
91-000 401-35	Fastening screw for No.91-041 072-91	91-041 063-25	Bobbin winder spindle
91-000 737-05	Tension stud	91-041 066-25	Bobbin winder pulley for No.91-041 072-91
91-001 533-25	Nut for No.91-000 737-05	91-041 067-25	Bobbin winder stop latch for No.91-006 589-25
91-002 203-05	Tension spring for No.91-005 622-15	<u>91-041 072-91</u>	Bobbin winder, bed-plate model (for treadle drive), compl., consisting of Nos.91-000 082-25; 91-000 239-15; 91-000 388-15; 91-005 608-25; 91-005 609-05; 91-006 589-25; 91-006 590-05; 91-006 591-25; 91-041 060-45; 91-041 061-45; 91-041 063-25; 91-041 066-25; 91-041 067-25
91-002 204-35	Tension pin for No.91-046 196-35	91-041 076-91	Bobbin winder, compl., consisting of Nos.91-000 062-25; 91-000 082-25; 91-000 359-15; 91-000 364-25; 91-000 366-25; 91-005 564-45; 91-005 565-45; 91-005 567-25; 91-005 568-25; 91-005 569-25; 91-041 063-25; 91-046 097-25; 91-053 332-45
91-002 205-05	Thread guide for No.91-046 196-35	91-041 085-91	Bobbin winder, table model (for power drive), compl., consisting of Nos.91-000 237-25; 91-000 363-25; 91-002 536-25; 91-040 618-45; 91-040 621-91; 91-041 076-91
91-002 536-25	Washer for No.91-000 237-25	91-046 097-25	Bobbin winder stop latch
<u>91-004 168-91</u>	Belt guard, compl., consisting of Nos.12-640 170-55; 91-004 169-45; 91-004 170-45; 91-004 171-15; 91-004 172-05; 91-004 173-15	91-046 196-35	Bobbin winder tension bracket for No.91-046 197-91
91-004 169-45	Belt guard bracket	<u>91-046 197-91</u>	Bobbin winder tension bracket (for treadle drive), compl., consisting of Nos.91-002 203-05; 91-002 204-35; 91-002 205-05; 91-005 622-15; 91-046 196-35
91-004 170-45	Belt guard		
91-004 171-15	Hinge stud for Nos.91-004 169-45; 91-004 170-45		
91-004 172-05	Torsion spring for No.91-004 170-45		
91-004 173-15	Guide stud for No.91-004 170-45		
91-005 005-05	Tension disc		
91-005 125-05	Tension spring		
91-005 564-45	Bobbin winder frame		
91-005 565-45	Bobbin winder frame base		
91-005 567-25	Bobbin winder frame spring		
91-005 568-25	Bobbin winder stop latch trip lever for Nos.91-005 564-45; 91-005 569-25		
91-005 569-25	Bobbin winder thumb lever for No.91-005 568-25		
91-005 608-25	Hinge stud for No.91-041 061-45		
91-005 609-05	Torsion spring for No.91-041 061-45		
91-005 622-15	Tension disc for No.91-002 204-35		

91-053 332-45 Bobbin winder pulley for No.91-041 076-91

91-053 347-21 Bobbin winder tension bracket, w/
position pin No.91-010 107-05,
for No.91-040 621-91

IV/2

Accessory Parts

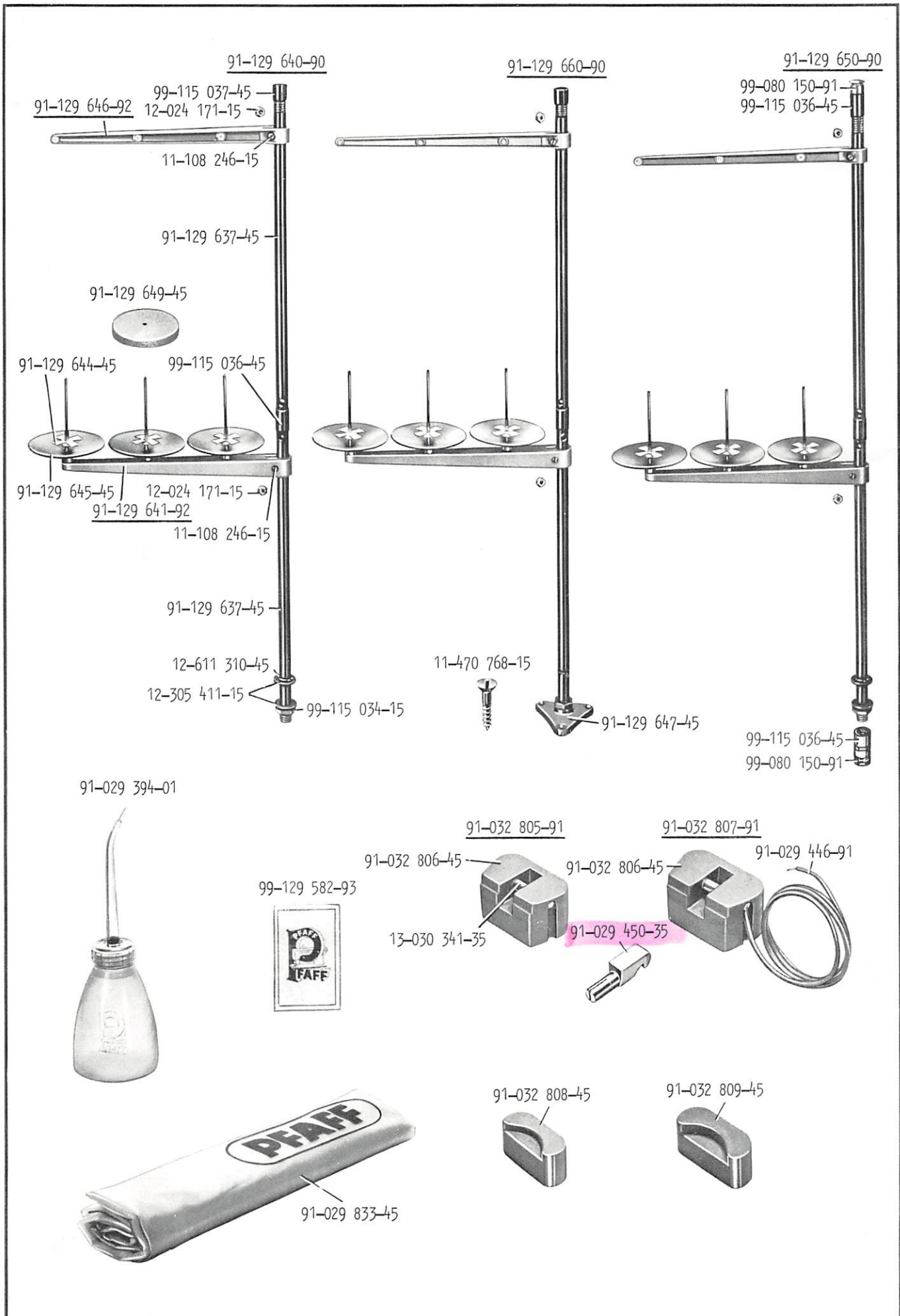


11-460 109-15	Wood screw (3x13 DIN 96-St) for No.91-029 605-55	<u>91-029 159-90</u>	Accessory box (for treadle drive), 4.5 mm stitch width, w/ No.91-000 112-25 Attachment thumb screw No.91-009 033-05 Bobbin (see Section III) No.91-009 327-35 Thread guide No.91-026 242-93 Edge stitcher No.91-029 480-91 Screwdriver, 4.8 mm wide No.91-029 946-91 Screwdriver, 2.8 mm wide No.91-041 238-04 Needle plate No.91-046 618-03 Presser foot, hinged No.91-053 875-21 Edge guide No.99-029 981-91 Tape measure, not ill. <u>No.91-029 227-90</u>
11-470 355-15	Wood screw (5.5x25 DIN 97-St) for No.91-031 568-91		Accessory box (for power drive), 4.5 mm stitch width, not ill. Same components as No.91-029 159-90, but without tape measure
12-642 170-45	Slip washer (5x0.6) for No.93-513 124-05		<u>No.91-029 268-90</u>
91-000 112-25	Attachment thumb for No.91-053 875-21		Accessory box (for power drive), 2.5 mm stitch width, not ill., w/ No.91-000 112-25 Attachment thumb screw No.91-009 033-05 Bobbin (see Section III) No.91-009 327-35 Thread guide No.91-029 480-91 Screwdriver, 4.8 mm wide, No.91-029 946-91 Screwdriver, 2.8 mm wide No.91-053 875-21 Edge guide
91-000 186-15	Fastening screw for Nos.91-025 056-92; 91-025 060-92; 91-025 169-92; 91-027 271-92		<u>No.91-029 993-90</u>
91-009 327-35	Thread guide		Accessory box (for power drive), 6.0 mm stitch width, not ill. Same components as No.91-029 159-90, but incorporating needle plate No.91-048 547-04 and without tape measure
91-025 054-55	Rock shaft hanger, rear, for No.91-025 077-15		<u>No.91-129 106-90</u>
<u>91-025 056-92</u>	Knee plate, w/ set screw No.91-000 186-15, for No.91-025 170-15		Accessory box (for treadle drive), 6.0 mm stitch width, not ill. Same components as No.91-029 159-90, but incorporating needle plate No.91-048 547-04
<u>91-025 060-92</u>	Rock shaft lifting bracket, w/ set screw No.91-000 186-15		
91-025 075-55	Rock shaft hanger, front, for No.91-025 077-15		
91-025 076-15	Torsion spring for No.91-025 170-15		
91-025 077-15	Knee lifter rock shaft		
<u>91-025 169-92</u>	Knee plate arm bracket, w/ set screw No.91-000 186-15		
91-025 170-15	Knee plate arm for No.91-025 169-92		
91-026 242-93	x Model Edge stitcher, left, w/ gauge		
<u>91-027 271-92</u>	Stop dog, w/ set screw No.91-000 186-15, for No.91-025 077-15		
91-029 007-91	Screwdriver, 6.0 mm wide		
		91-029 480-91	Screwdriver, 4.8 mm wide
		91-029 605-55	Oil drip pan
		91-029 692-45	Rubber pad cover for No.91-025 056-92
		91-029 946-91	Screwdriver, 2.8 mm wide
		<u>91-031 568-91</u>	Knee lifter, compl., consisting of Nos.91-025 054-55; 91-025 056-92; 91-025 060-92; 91-025 075-55; 91-025 076-15; 91-025 077-15; 91-025 169-92; 91-025 170-15; 91-027 271-92; 93-513 120-91

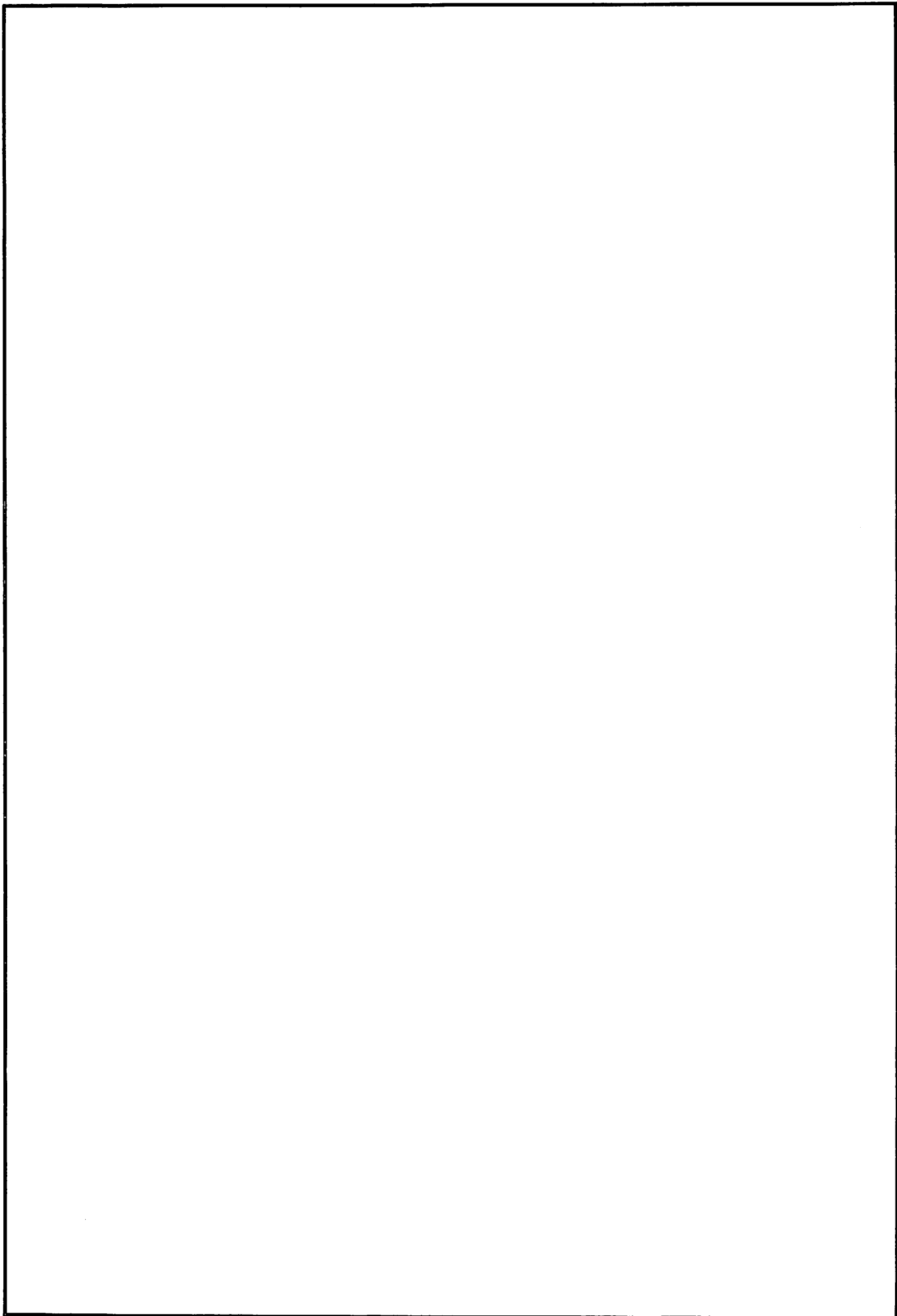
- 91-041 238-04 Needle plate, with round needle hole,
Model A, for No.91-026 883-05
(see Section III)
- 91-046 618-03 Presser foot, hinged, with round needle hole,
Models A and B
- 91-048 547-04 Needle plate, with round needle hole,
Models A and B, for No.91-026 890-05
(see Section III)
- 91-053 875-21 Edge guide
- 91-080 233-05 Roller for No.93-513 120-91
- 93-102 335-41 Accessory box
- 93-513 120-91 Lifting bracket extension, compl.,
consisting of Nos.12-642 170-45;
91-080 233-05; 93-513 121-11;
93-513 124-05
- 93-513 121-11 Lifting bracket extension for No.93-513 120-91
- 93-513 124-05 Roller stud for No.91-080 233-05

IV/3

Accessory Parts



11-108 246-15	Binding screw (A M 5x25 DIN 84-86) for Nos.91-129 641-92; 91-129 646-92	91-129 640-90	Thread unwinder, compl., (standard version) consisting of Nos.12-305 411-15; 12-611 310-45; 91-129 637-45; 91-129 641-92; 91-129 644-05; 91-129 645-45; 91-129 646-92; 91-129 649-45; 99-115 034-15; 99-115 036-45; 99-115 037-45
11-470 768-15	Wood screw (5.5x22 DIN 97-St) for No.91-129 647-45	91-129 641-92	Spool rest, w/ No.11-108 246-15 Binding screw Nr.12-024 171-15 Nut
12-024 171-15	Nut (M 5 DIN 934/1-5S) for No.11-108 246-15	91-129 644-05	Spool retaining washer
12-305 411-15	Washer (19 DIN 125-St) for Nos.91-129 640-90; 91-129 650-90	91-129 645-45	Spool disc
12-611 310-45	Circlip (18x1.5 DIN 471) for No.12-305 411-15	91-129 646-92	Thread guide, w/ No.11-108 246-15 Binding screw No.12-024 171-15 Nut
13-030 341-35	Fulcrum stud (5h8x40 DIN 7) for No.91-032 806-45	91-129 647-45	Thread unwinder base for No.91-129 660-90
91-029 394-01	Oiler, empty	91-129 649-45	Spool pin washer (foam rubber)
91-029 450-35	Hinge stud for Nos.91-032 805-91; 91-032 807-91	91-129 650-90	Thread unwinder, (special version) compl., Same components as No.91-129 640-90, but incorporating No.99-080 150-91 Gland (for power connection from above)
91-029 446-91	Fulcrum stud with earthing wire	91-129 660-90	Thread unwinder, (special version) compl., Same components as No.91-129 640-90, but incorporating No.11-470 768-15 Wood screw No.91-129 647-45 Thread unwinder base
91-029 833-45	Sewing machine cover	99-080 150-91	Gland for No.91-129 650-90
<u>91-032 805-91</u>	Hinge block, for power drive, left, compl., consisting of Nos.13-030 341-35; 91-032 806-45 No. <u>91-029 934-91</u>	99-115 034-15	Nut for No.91-129 637-45
	Hinge block, for treadle drive, left, not ill. Same components as No.91-032 805-91, but incorporating hinge block No.91-029 931-45	99-115 036-45	Sleeve for No.91-129 637-45
91-032 806-45	Hinge block for Nos.91-032 805-91; 91-032 807-91	99-115 037-45	Cap for No.91-129 637-45
<u>91-032 807-91</u>	Hinge block, for power drive, right, compl., consisting of Nos.91-029 446-91; 91-032 806-45 No. <u>91-029 933-91</u>	99-129 582-93	Wrapper, w/ 10 needles (System 130)
	Hinge block, for treadle drive, right, not ill. Same components as No.91-032 807-91, but incorporating hinge block No.91-029 931-45	91-007 675-45	Driving belt, 6.0 mm dia.; 1960 mm long, not ill.
91-032 808-45	Rubber cushion, 4.0 mm recess (left and right for power drive, left for treadle drive) No.91-029 489-45		
	Rubber cushion, right, for treadle drive, not ill.		
91-032 809-45	Rubber cushion, for power drive, 7.0 mm-recess (special version)		
91-129 637-45	Spool rest rod		



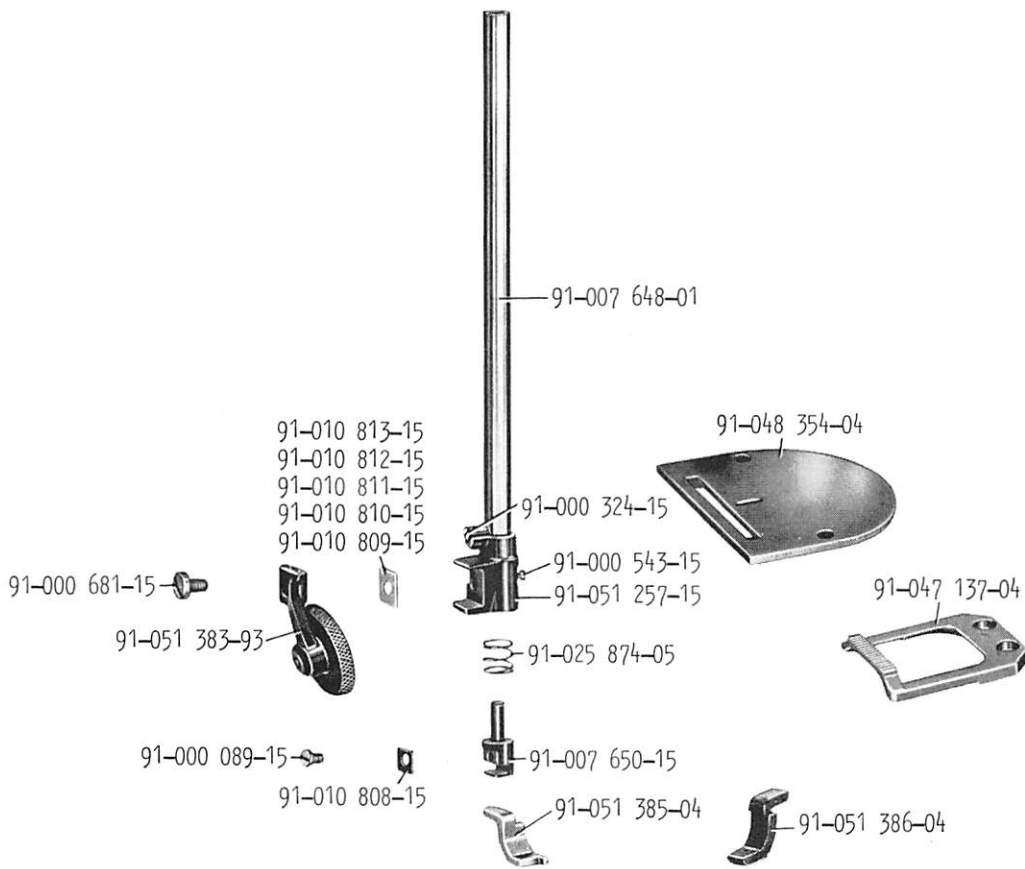
V

Complementary Parts

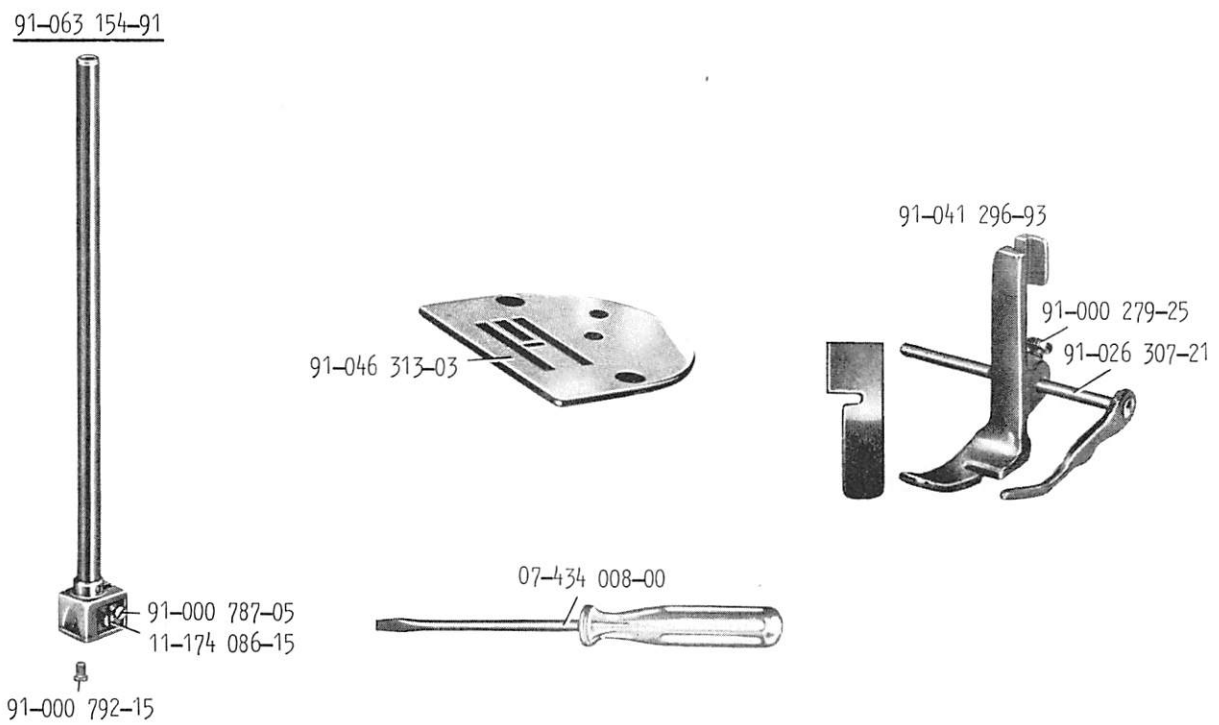
Pfaff 138-4

Pfaff 138-115/01-6

Pfaff 138-4



Pfaff 138-115/01-6



Complementary Parts for Pfaff 138-4
 (For standard parts please refer to the Pfaff 138-6/01; -6/02)

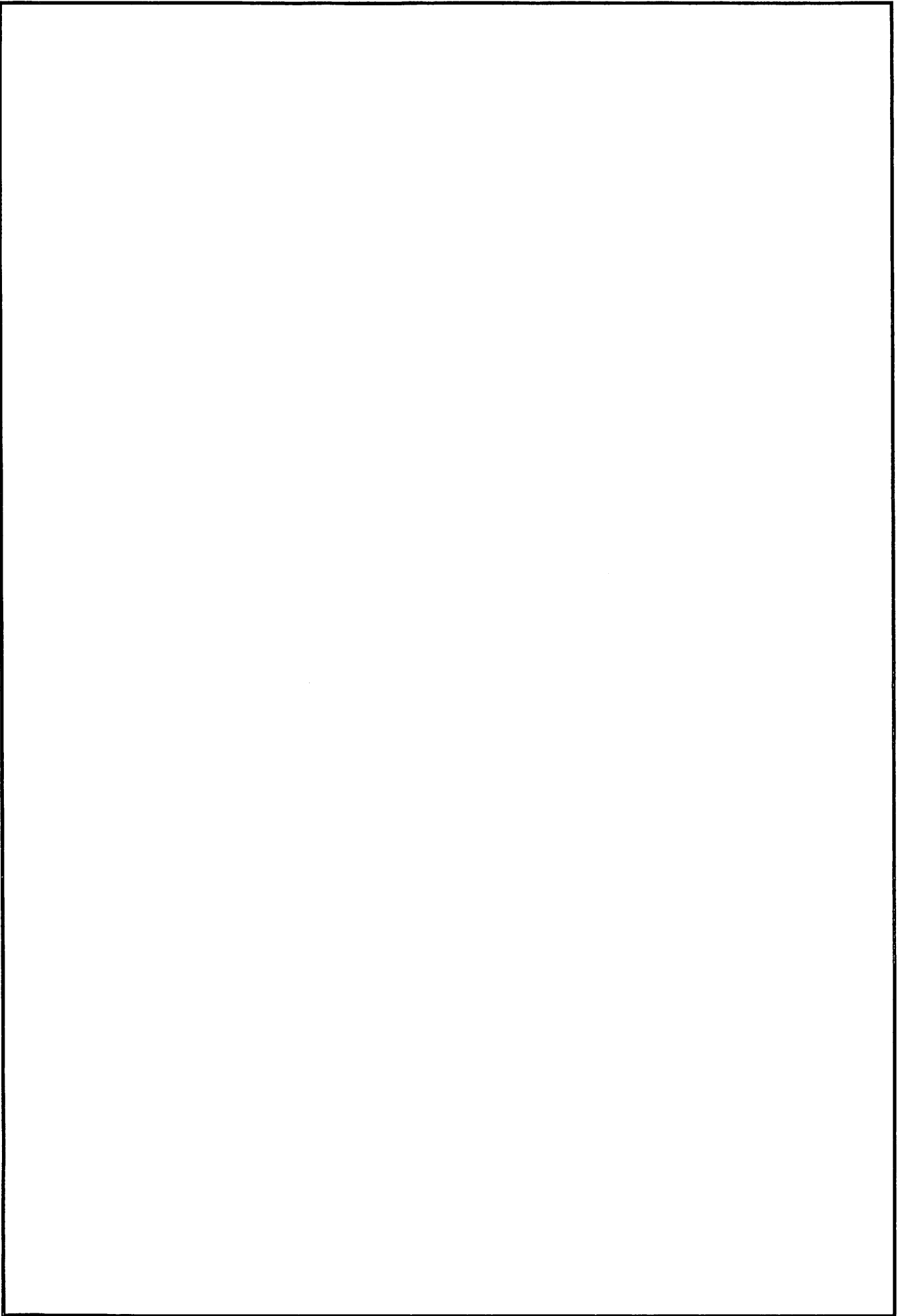
V

Ü = Stitch Width

<p>91-000 089-25 Fastening screw for No.91-010 808-15</p> <p>91-000 324-15 Stop screw for No.91-051 257-15</p> <p>91-000 543-15 Fastening screw for No.91-007 650-15 and stop screw for No.91-051 257-15</p> <p>91-000 681-15 Fastening screw for No.91-051 383-93</p> <p>91-007 648-01 Presser bar</p> <p>91-007 650-15 Needle guard bracket</p> <p>91-010 808-15 Clamp screw washer for Nos.91-051 385-04; 91-051 386-04</p> <p>91-010 809-15 Spacer, 0.4 mm, for No.91-051 257-15</p> <p>91-010 810-15 Spacer, 0.6 mm, for No.91-051 257-15</p> <p>91-010 811-15 Spacer, 0.8 mm, for No.91-051 257-15</p>	<p>91-010 812-15 Spacer, 1.0 mm, for No.91-051 257-15</p> <p>91-010 813-15 Spacer, 1.2 mm, for No.91-051 257-15</p> <p>91-025 874-05 Pressure spring for No.91-007 650-15</p> <p>91-047 137-04 x Ü Feed dog for No.91-048 354-04 Orders should specify type desired</p> <p>91-048 354-04 x Ü Needle plate Orders should specify type desired</p> <p>91-051 257-15 Roller presser arm bracket</p> <p>91-051 383-93 Roller presser, swing-type</p> <p>91-051 385-04 x Ü Needle guard, w/ toe</p> <p>91-051 386-04 x Ü Needle guard, w/ o toe</p>
--	--

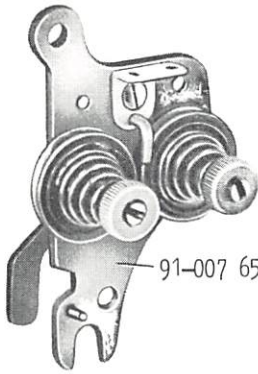
Complementary Parts for Pfaff 138-115/01-6
 (For standard parts please refer to the Pfaff 138-6/01; -6/02)

<p>07-434 008-00 Screwdriver, 3.0 mm wide</p> <p>11-174 086-15 Needle set screw (M 3x4 DIN 920-5S; overall length = 10.4 mm) for No.91-063 154-91 Obsolete version = Needle set screw No.91-000 543-15 (1/8"x44; overall length = 6.5 mm) Remarks: Needle set screw No.91-000 543-15 cannot be replaced by needle set screw No.11-174 086-15</p> <p>91-000 279-25 Fastening screw for No.91-041 296-93</p> <p>91-000 787-05 Double-threaded screw for No.91-063 154-91</p> <p>91-000 792-15 Fastening screw for needle bar thread guide</p>	<p>91-026 307-21 Gauge for No.91-041 296-93</p> <p><u>91-041 296-93</u> Zigzag edge stitcher, w/ No.91-000 279-25 Set screw No.91-026 307-21 Gauge Orders should specify type desired</p> <p>91-046 313-03 Needle plate, 4.5 mm needle gauge No.91-026 888-04 Needle plate 6.0 mm needle gauge ill. see Section III Orders should specify type desired</p> <p><u>91-063 154-91</u> Needle bar, with adjustable double needle holder, w/ No.11-174 086-15 Needle set screw No.91-000 787-05 Double-threaded screw No.91-000 792-15 Fastening screw for needle bar thread guide</p>
---	---



**Complementary Parts
Pfaff 138-6U**

91-008 580-91

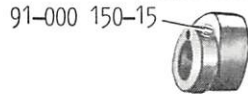


91-007 657-35

91-010 184-05

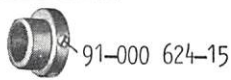


91-008 528-92



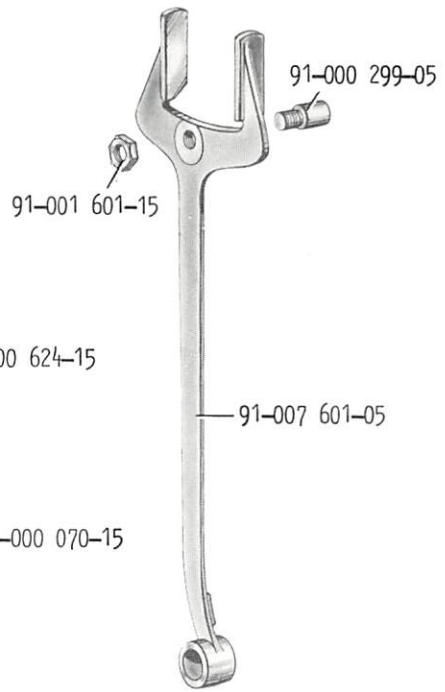
91-000 150-15

91-007 593-92



91-000 624-15

91-007 601-92



91-000 299-05

91-001 601-15

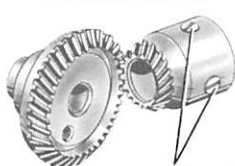
91-007 601-05

91-009 076-81



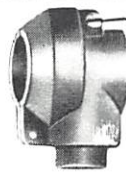
91-009 048-11

91-064 786-90



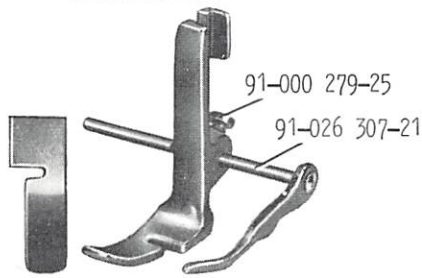
91-000 689-15

91-007 595-91



91-000 070-15

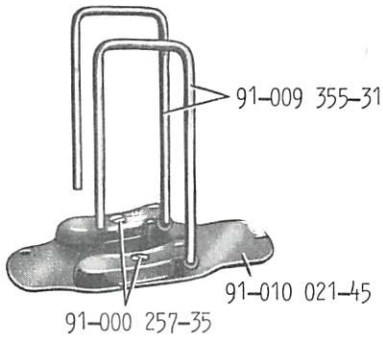
91-041 296-93



91-000 279-25

91-026 307-21

91-041 420-05



91-009 355-31

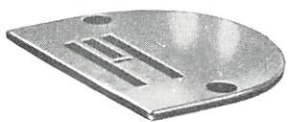
91-010 021-45

91-000 257-35

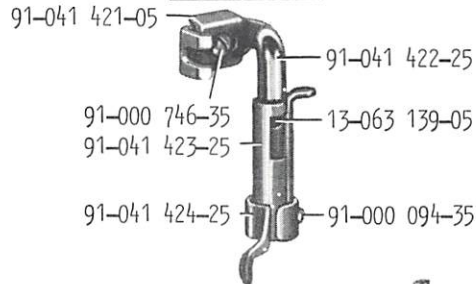
91-058 027-04



91-058 026-04



91-041 427-91



91-041 421-05

91-041 422-25

91-000 746-35

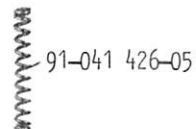
91-041 423-25

13-063 139-05

91-041 424-25

91-000 094-35

91-041 047-05

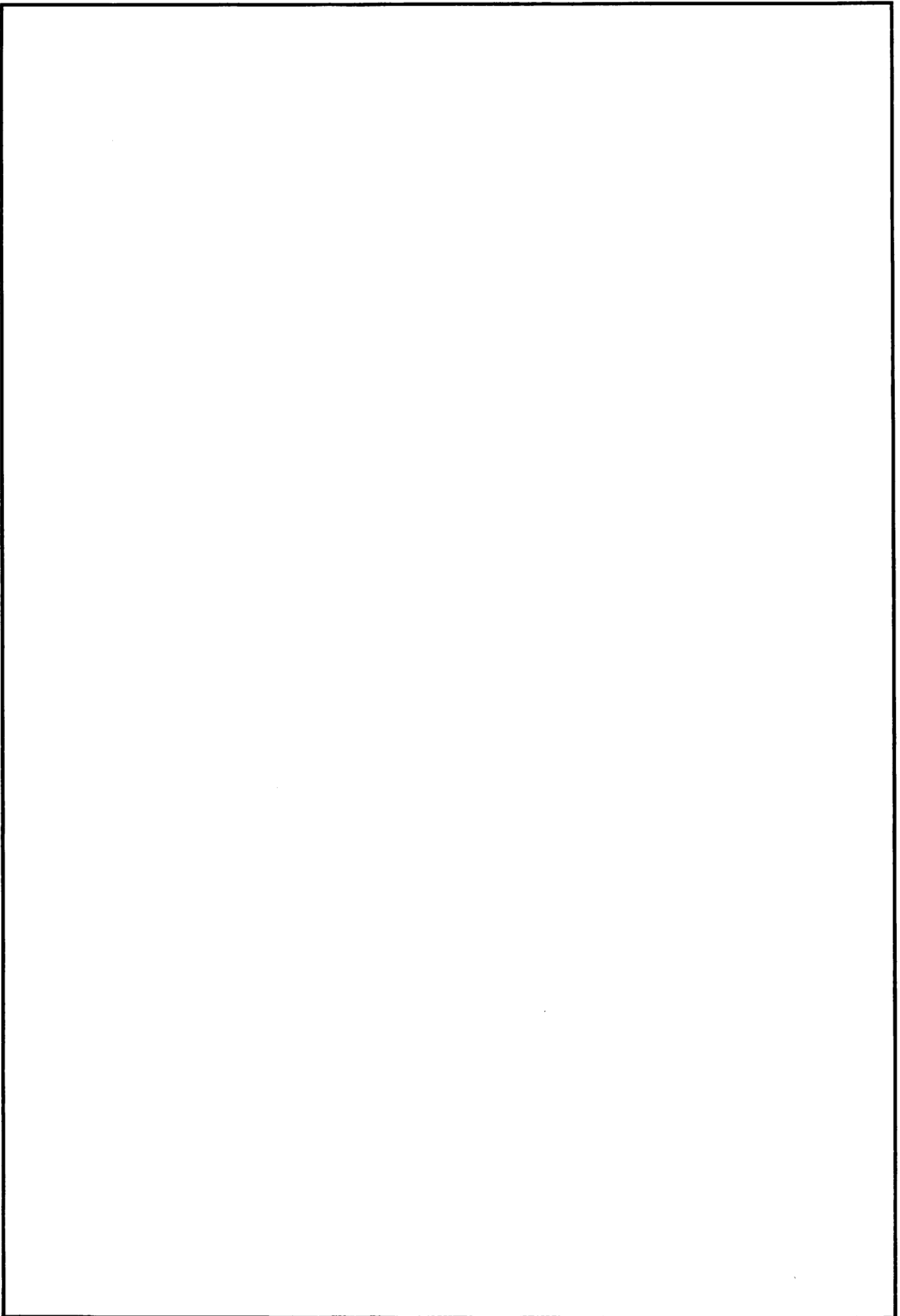


91-041 426-05

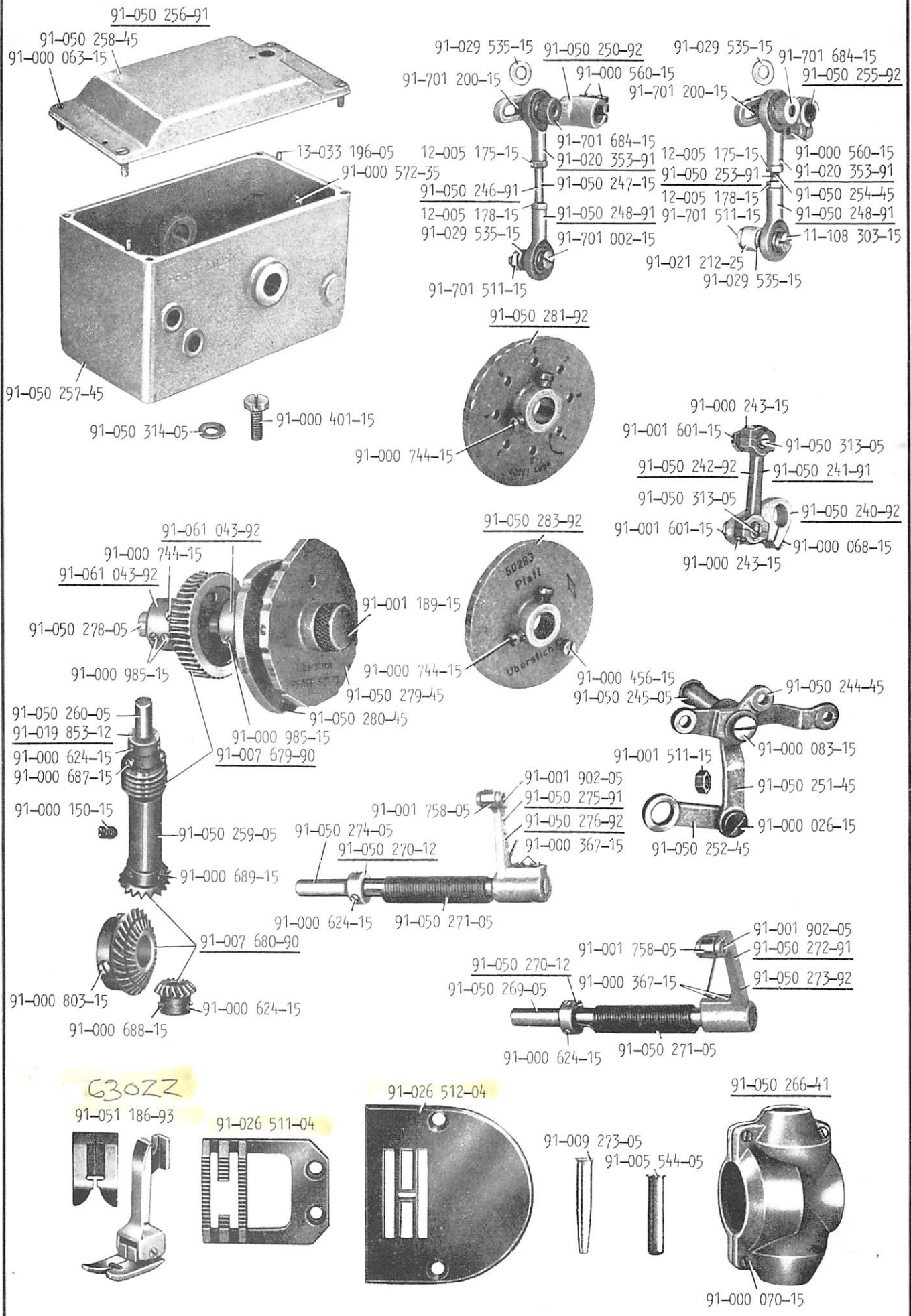
Complementary Parts for the Pfaff 138-6 U
(For standard parts please refer to Pfaff 138-6/01; -6/02)

VI

13-063 139-05	Stop pin (2.5x8 DIN 1472) for No.91-041 427-91	<u>91-009 076-81</u>	Bobbin case cap, (buttonhole version) compl., Same components as No.91-009 076-91 (see Section III), but incorporating bobbin case latch slide No.91-009 048-11
91-000 070-15	Fastening screw for No.91-007 595-91	91-009 355-31	Spool holder
91-000 094-35	Fastening screw for No.91-041 424-25	91-010 021-45	Top cover
91-000 150-15	Fastening screw for No.91-008 528-92	91-010 184-05	Tension spring, strong, for No.91-008 580-91
91-000 257-35	Fastening screw for No.91-009 355-31	91-026 307-21	Gauge for No.91-041 296-93
91-000 179-25	Fastening screw for No.91-026 307-21	91-041 047-05	Button sewing foot
91-000 299-05	Hinge screw for No.91-007 601-92	<u>91-041 296-93</u>	Zigzag edge stitcher, w/ No.91-000 279-25 Fastening screw No.91-026 307-21 Gauge Orders should specify type desired
91-000 624-15	Fastening screw for No.91-007 593-92	91-041 420-05	Buttonhole foot, with gimp guide
91-000 689-15	Fastening screw for No.91-064 786-90	91-041 421-05	Bracket for No.91-041 422-25
91-000 746-35	Fastening screw for No.91-041 421-05	91-041 422-25	Guide for No.91-041 427-91
91-001 601-15	Nut for No.91-000 299-05	91-041 423-25	Sleeve for No.91-041 427-91
<u>91-007 593-92</u>	Feed lifting eccentric, w/ set screw No.91-000 624-15	91-041 424-25	Buttonhole guide for No.91-041 427-91
<u>91-007 595-91</u>	Bevel gear case, w/ set screw No.91-000 070-15	91-041 426-05	Pressure spring for No.91-041 427-91
91-007 601-05	Feed forked connection	<u>91-041 427-91</u>	Buttonhole guide, compl., consisting of Nos.13-063 139-05; 91-000 094-35; 91-000 746-35; 91-041 421-05; 91-041 422-25; 91-041 423-25; 91-041 424-25; 91-041 426-05
<u>91-007 601-92</u>	Feed forked connection, compl., consisting of Nos.91-000 299-05; 91-001 601-15; 91-007 601-05	91-058 026-04	Needle plate, 4.5 mm stitch width Orders should specify type desired
91-007 657-35	Tension bracket for No.91-008 580-91	91-058 027-04	Needle plate, 6.0 mm stitch width Orders should specify type desired
<u>91-008 528-92</u>	Feed driving eccentric, w/ set screw No.91-000 150-15	<u>91-064 786-90</u>	Bevel gear assembly, 4.5 mm stitch width, w/ set screw No.91-000 689-15
<u>91-008 580-91</u>	Dual thread tension, compl., Same components as No.91-007 655-91 (see Section I/2), but incorporating tension bracket No.91-007 657-35		
<u>91-009 048-11</u>	Bobbin case latch slide (buttonhole version), compl., Same components as No.91-009 048-01 (see Section III), but blackened		



**Complementary Parts
Pfaff 138 – 260**



Complementary Parts for the Pfaff 138-260
 (For standard parts please refer to the Pfaff 138-6/01; -6/02)

VII

11-108 303-15	Fastening screw (A M 6x22 DIN 84-86) for Nos.91-050 251-45; 91-050 253-91	91-021 212-25	Spacer for Nos.91-050 248-91; 91-050 251-45
12-005 175-15	Nut (M 5 DIN 439-5S) for Nos.91-050 247-15; 91-050 254-45	91-026 511-04	Feed dog, 4.5 mm stitch width, for No.91-026 512-04 Orders should specify type desired
12-005 178-15	Nut (B M 5 left DIN 439-5S) for Nos.91-050 247-15; 91-050 254-45	91-026 512-04	Needle plate, 4.5 mm stitch width Orders should specify type desired
13-033 196-05	Position pin (3 m 6x14 DIN 6325) for No.91-050 257-45	91-029 535-15	Washer for Nos.91-701 200-15; 91-701 511-15
91-000 026-15	Hinge screw for Nos.91-050 251-45; 91-050 252-45	<u>91-050 240-92</u>	Clamp crank, w/ set screw No.91-000 068-15
91-000 063-15	Fastening screw for No.91-050 258-45	<u>91-050 241-91</u>	Ball joint connecting rod, compl., consisting of Nos.91-001 601-15; 91-050 242-92; 91-050 313-05
91-000 068-15	Binding screw for No.91-050 240-92	<u>91-050 242-92</u>	Ball joint connecting rod, w/ set screw No.91-000 243-15
91-000 070-15	Fastening screw for No.91-050 266-41	91-050 244-45	Bell crank for No.91-050 246-91
91-000 083-15	End screw for No.91-050 245-05	91-050 245-05	Hinge stud
91-000 150-15	Fastening screw for No.91-050 259-05	<u>91-050 246-91</u>	Connecting rod, compl., for No.91-050 250-92, consisting of Nos.12-005 175-15; 12-005 178-15; 91-020 353-91; 91-050 247-15; 91-050 248-91
91-000 243-15	Fastening screw for No.91-050 242-92	91-050 247-15	Connecting rod for No.91-050 246-91
91-000 367-15	Fastening screw for Nos.91-050 273-92; 91-050 276-92	91-050 248-91	Ball joint for Nos.91-050 246-91; 91-050 253-91
91-000 401-15	Fastening screw for No.91-050 257-45	<u>91-050 250-92</u>	Stitch width lever, front, slotted, w/ binding screw No.91-000 560-15
91-000 456-15	Cam driving screw	91-050 251-45	Bell crank for No.91-050 253-91
91-000 560-15	Binding screw for Nos.91-050 250-92; 91-050 255-92	91-050 252-45	Connecting link for No.91-050 251-45
91-000 572-35	Plug screw for No.91-050 257-45	<u>91-050 253-91</u>	Connecting rod, compl., for No.91-050 255-92, consisting of Nos.12-005 175-15; 12-005 178-15; 91-020 353-91; 91-050 248-91; 91-050 254-45
91-000 624-15	Fastening screw for Nos.91-007 680-90; 91-019 853-12; 91-050 270-12	91-050 254-45	Connecting rod for No.91-050 253-91
91-000 687-15	Fastening screw for worm	<u>91-050 255-92</u>	Needle position lever, front, slotted, w/ binding screw No.91-000 560-15
91-000 688-15	Fastening screw for No.91-007 680-90	<u>91-050 256-91</u>	Housing, compl., consisting of Nos.13-033 196-05; 91-000 063-15; 91-000 150-15; 91-000 572-35; 91-007 679-90; 91-019 853-12; 91-050 257-45; 91-050 258-45; 91-050 259-05; 91-050 260-05; 91-050 269-05; 91-050 278-05; 91-050 274-05; 91-061 043-92
91-000 689-15	Fastening screw for No.91-007 680-90	91-050 257-45	Housing
91-000 744-15	Fastening screw for worm wheel and for Nos.91-050 281-92; 91-050 283-92	91-050 258-45	Top cover for No.91-050 257-45
91-000 803-15	Fastening screw for No.91-007 680-90	91-050 259-05	Worm shaft bushing
91-000 985-15	Fastening screw for No.91-061 043-92	91-050 260-05	Worm shaft
91-001 189-15	End screw for No.91-050 278-05	91-050 266-41	Bevel gear case, w/ set screw No.91-000 070-15
91-001 511-15	Nut for No.91-000 026-15	91-050 269-05	Stitch width lever shaft for No.91-050 273-92
91-001 601-15	Nut for No.91-050 313-05		
91-001 758-05	Roller for Nos.91-050 273-92; 91-050 276-92		
91-001 902-05	Roller stud for No.91-001 758-05		
91-005 544-05	Oil tube, 25 mm long, for No.91-006 542-92 (see Section II/1)		
<u>91-007 679-90</u>	Worm wheel assembly, w/ set screws Nos.91-000 687-15; 91-000 744-15		
<u>91-007 680-90</u>	Bevel gear, w/ set screws Nos.91-000 624-15; 91-000 688-15; 91-000 689-15; 91-000 803-15		
91-009 273-05	Oil tube, 33 mm long, for No.91-063 139-91 (see Section II/1)		
<u>91-019 853-12</u>	Set collar, w/ set screw No.91-000 624-15		
91-020 353-91	Ball joint for Nos.91-050 246-91; 91-050 253-91		











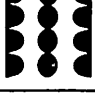










Complementary Parts for the Pfaff 138-260
(For standard parts please refer to the Pfaff 138-6/01; -6/02)

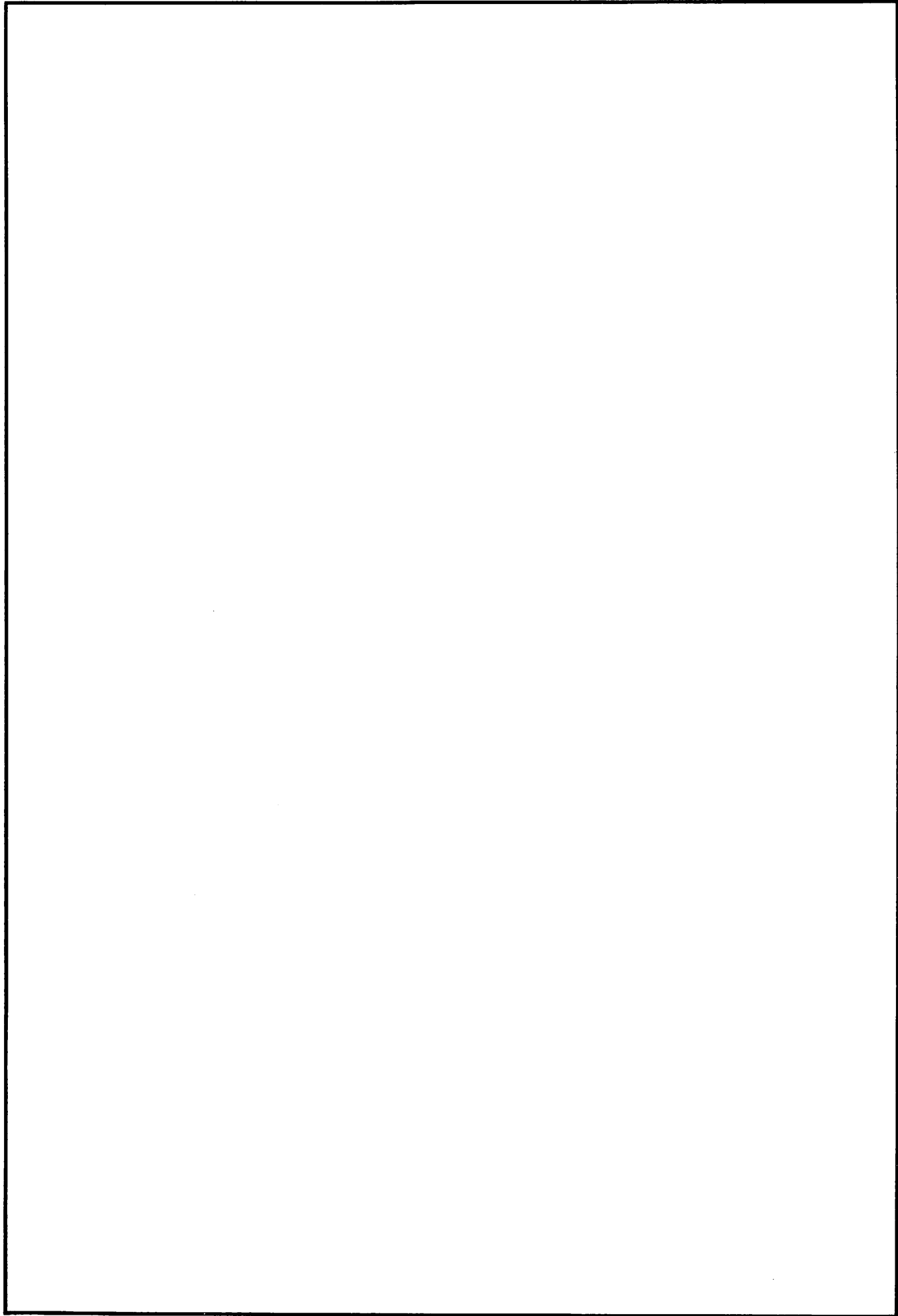
VII

- 91-050 270-12 Set collar, w/ set screw No.91-000 624-15
- 91-050 271-05 Torsion spring for Nos.91-050 269-05;
91-050 274-05
- 91-050 272-91 Stitch width lever, back, compl.,
consisting of Nos.91-001 758-05;
91-001 902-05; 91-050 273-92
- 91-050 273-92 Stitch width lever, back, w/
set screw No.91-000 367-15
- 91-050 274-05 Needle position lever shaft for No.91-050 276-92
- 91-050 275-91 Needle position lever, back, compl.,
consisting of Nos.91-001 758-05; 91-001 902-05;
91-050 276-92
- 91-050 276-92 Needle position lever, back, w/
set screw No.91-000 367-15
- 91-050 278-05 Worm gear shaft
- 91-050 279-45 Basic stitch width cam
- 91-050 280-45 Basic needle position cam
- 91-050 281-92 Needle position cam, scallop stitch,
4.5 mm stitch width, w/
fastening screw No.91-000 744-15
For additional needle position cams please refer
to the Table on p. 49.
- 91-050 283-92 Stitch width cam, diamond stitch,
4.5 mm stitch width, w/
fastening screw No.91-000 744-15
dog screw No.91-000 456-15
For additional stitch width cams please refer
to the Table on p. 49.
- 91-050 313-05 Ball stud, threaded, for No.91-050 241-91
- 91-050 314-05 Washer for No.91-000 401-15
- 91-051 186-93 Zigzag presser foot, hinged,
Orders should specify type desired
- 91-061 043-92 Set collar, w/ set screw No.91-000 985-15
- 91-701 002-15 Fastening screw for Nos.91-050 244-45;
91-050 246-91
- 91-701 200-15 Set screw for Nos.91-050 246-91;
91-050 253-91
- 91-701 511-15 Nut for No.11-108 303-15; 91-701 002-15
- 91-701 684-15 Nut for No.91-701 200-15

- 91-007 625-45 Arm (not ill.)

Stitch width and needle position cams for the Pfaff 138-260

Part number of stitch width cam	Pattern	Stitch width	Part number of needle position cam	Pattern	Stitch width
91-050 283-92		4,5 mm	91-050 281-92		4,5 mm
91-050 284-92		4,5 mm	91-050 282-92		4,5 mm
91-050 285-92		4,5 mm	91-050 292-92		4,5 mm
91-050 286-92		4,5 mm	91-050 293-92		4,5 mm
91-050 287-92		4,5 mm	91-050 294-92		4,5 mm
91-050 288-92		4,5 mm	91-050 296-92		3,6 mm
91-050 289-92		4,5 mm	91-050 297-92		3,5 mm
91-050 290-92		4,5 mm	91-050 300-92		4,5 mm
91-050 291-92		4,5 mm	91-050 301-92		4,5 mm
91-050 295-92		4,5 mm			
91-050 298-92		2,0 mm			
91-050 299-92		3,5 mm			
91-050 302-92		4,5 mm			



10

11

12

13

Numerical Index

Nummern-Verzeichnis		/ Tableau des numéros		/ Numerical Index		/ Lista de números	
Nr./n ^o /No.	Fig.	Nr./n ^o /No.	Fig.	Nr./n ^o /No.	Fig.	Nr./n ^o /No.	Fig.
07-434 008-00	V	91-000 063-15	VII	91-000 197-15	I/1	91-000 390-15	III
11-108 225-15	III	91-000 064-15	II/1	91-000 197-35	II/1	91-000 401-15	VII
11-108 246-15	IV/3	91-000 068-15	VII	91-000 226-15	III	91-000 401-35	IV/1
11-108 303-15	VII	91-000 070-15	II/1	91-000 237-25	IV/1	91-000 406-15	II/2
11-130 548-15	III	91-000 070-15	VI	91-000 239-15	IV/1	91-000 407-15	III
11-174 086-15	V	91-000 070-15	VII	91-000 243-15	VII	91-000 412-35	I/2
11-178 166-15	I/1	91-000 072-15	II/2	91-000 249-15	III	91-000 456-15	II/1
11-460 109-15	IV/2	91-000 073-15	III	91-000 250-15	III	91-000 456-15	VII
11-460 247-25	IV/1	91-000 073-35	I/1	91-000 257-35	VI	91-000 486-15	I/1
11-470 355-15	IV/2	91-000 074-35	IV/1	91-000 279-25	V	91-000 503-15	III
11-470 364-25	IV/1	91-000 078-15	III	91-000 279-25	VI	91-000 507-15	I/1
11-470 768-15	IV/3	91-000 082-15	II/2	91-000 290-15	III	91-000 510-15	II/1
12-005 175-15	VII	91-000 082-25	IV/1	91-000 298-05	II/1	91-000 510-15	III
12-005 178-15	VII	91-000 082-35	III	91-000 299-05	VI	91-000 511-15	II/1
12-024 171-15	IV/3	91-000 083-15	VII	91-000 321-15	II/2	91-000 524-15	I/2
12-305 411-15	IV/3	91-000 089-25	IV/1	91-000 323-15	II/1	91-000 543-15	V
12-611 310-45	IV/3	91-000 089-25	V	91-000 324-15	V	91-000 560-15	VII
12-640 170-55	IV/1	91-000 094-35	VI	91-000 340-15	II/2	91-000 564-15	III
12-642 170-45	II/2	91-000 112-25	IV/2	91-000 341-15	I/1	91-000 572-35	VII
12-642 170-45	IV/2	91-000 150-15	I/2	91-000 359-15	IV/1	91-000 624-15	I/2
13-030 245-05	II/1	91-000 150-15	VI	91-000 363-15	II/2	91-000 624-15	VI
13-030 341-35	IV/3	91-000 150-15	VII	91-000 363-25	IV/1	91-000 624-15	VII
13-033 196-05	VII	91-000 152-15	I/1	91-000 364-25	IV/1	91-000 647-15	III
13-050 094-15	II/1	91-000 152-15	II/1	91-000 366-15	I/2	91-000 666-05	I/2
13-052 256-15	III	91-000 153-15	I/1	91-000 366-25	IV/1	91-000 672-15	II/2
13-060 400-05	III	91-000 153-15	II/1	91-000 367-15	I/1	91-000 678-15	III
13-063 139-05	VI	91-000 153-15	II/2	91-000 367-15	II/1	91-000 680-15	II/1
91-000 011-15	II/1	91-000 172-35	II/2	91-000 367-15	II/2	91-000 680-15	III
91-000 026-15	VII	91-000 173-35	II/1	91-000 367-15	III	91-000 681-15	V
91-000 029-15	II/2	91-000 173-35	III	91-000 367-15	VII	91-000 687-15	VII
91-000 058-15	III	91-000 186-15	IV/2	91-000 380-35	I/2	91-000 688-15	VII
91-000 062-25	IV/1	91-000 195-15	I/1	91-000 388-15	IV/1	91-000 689-15	II/1
						91-000 689-15	III
						91-000 689-15	VI
						91-000 689-15	VII
						91-000 713-15	III
						91-000 737-05	IV/1
						91-000 740-15	II/2
						91-000 744-15	VII
						91-000 745-15	I/1
						91-000 746-35	VI
						91-000 783-15	II/1
						91-000 785-15	I/1
						91-000 785-15	II/1
						91-000 785-15	III
						91-000 787-05	V
						91-000 790-15	III
						91-000 792-15	V
						91-000 798-15	III
						91-000 803-15	II/1
						91-000 803-15	VII
						91-000 807-15	II/2
						91-000 910-15	II/1
						91-000 985-15	VII
						91-001 013-15	II/1
						91-001 084-35	II/1
						91-001 189-15	VII
						91-001 317-15	I/1
						91-001 511-15	VII
						91-001 512-15	II/1
						91-001 513-15	II/2
						91-001 522-35	I/2
						91-001 533-25	IV/1
						91-001 536-15	III

Nummern-Verzeichnis / Tableau des numéros / Numerical Index / Lista de números									
Nr./n ^o /No.	Fig.	Nr./n ^o /No.	Fig.	Nr./n ^o /No.	Fig.	Nr./n ^o /No.	Fig.	Nr./n ^o /No.	Fig.
91-001 538-15	II/2	91-005 068-05	II/2	91-006 908-05	I/2	91-007 608-91	I/1	91-007 679-90	VII
91-001 593-35	II/2	91-005 070-05	II/2	91-006 941-92	I/1	91-007 609-05	II/1	91-007 680-90	VII
91-001 601-15	VI	91-005 125-05	IV/1	91-007 013-45	I/1	91-007 611-91	I/2	91-007 687-05	I/1
91-001 601-15	VII	91-005 544-05	VII	91-007 015-05	I/1	91-007 614-05	II/1	91-007 688-45	I/1
91-001 758-05	VII	91-005 564-45	IV/1	91-007 016-05	I/1	91-007 615-05	III	91-008 008-05	I/1
91-001 902-05	VII	91-005 565-45	IV/1	91-007 054-05	I/1	91-007 616-05	III	91-008 522-05	II/1
91-001 954-05	II/2	91-005 567-25	IV/1	91-007 551-45	II/2	91-007 618-12	III	91-008 526-15	I/2
91-002 008-15	I/1	91-005 568-25	IV/1	91-007 552-05	II/1	91-007 619-15	I/2	91-008 528-92	VI
91-002 025-41	I/1	91-005 569-25	IV/1	91-007 556-45	II/2	91-007 620-35	I/2	91-008 560-05	I/2
91-002 065-05	I/2	91-005 598-35	III	91-007 559-05	III	91-007 625-45	VII	91-008 580-91	VI
91-002 134-05	III	91-005 608-25	IV/1	91-007 561-05	III	91-007 630-45	I/1	91-008 627-05	I/2
91-002 139-05	III	91-005 609-05	IV/1	91-007 565-05	III	91-007 631-91	I/1	91-008 633-15	II/1
91-002 158-15	I/1	91-005 622-15	IV/1	91-007 566-45	III	91-007 632-91	III	91-008 643-35	II/1
91-002 203-05	IV/1	91-005 673-05	III	91-007 567-15	III	91-007 634-91	II/2	91-008 710-05	II/1
91-002 204-35	IV/1	91-005 890-91	II/1	91-007 570-05	I/2	91-007 635-05	II/2	91-008 722-45	II/1
91-002 205-05	IV/1	91-006 155-15	II/2	91-007 571-01	I/1	91-007 636-91	II/2	91-008 723-05	II/1
91-002 504-45	II/2	91-006 219-25	IV/1	91-007 572-35	II/1	91-007 645-91	III	91-008 731-91	II/1
91-002 536-05	II/2	91-006 514-05	I/2	91-007 573-31	II/1	91-007 646-35	I/1	91-008 764-91	II/1
91-002 536-25	IV/1	91-006 526-05	I/1	91-007 580-05	III	91-007 648-01	V	91-008 771-91	II/1
91-002 571-05	II/2	91-006 539-92	II/1	91-007 581-05	I/2	91-007 650-15	V	91-008 803-05	I/1
91-002 844-05	II/2	91-006 542-92	II/1	91-007 582-91	I/2	91-007 654-35	I/2	91-008 804-05	I/1
91-002 845-35	II/2	91-006 589-25	IV/1	91-007 590-05	II/1	91-007 655-91	I/2	91-008 805-05	I/1
91-002 848-15	II/2	91-006 590-05	IV/1	91-007 593-92	VI	91-007 657-35	VI	91-008 806-05	I/1
91-004 168-91	IV/1	91-006 591-25	IV/1	91-007 594-01	I/1	91-007 658-31	II/1	91-008 810-12	I/1
91-004 169-45	IV/1	91-006 615-05	II/1	91-007 595-91	VI	91-007 660-91	II/1	91-008 844-05	III
91-004 170-45	IV/1	91-006 625-45	II/2	91-007 597-91	I/1	91-007 665-15	II/2	91-008 863-92	I/1
91-004 171-15	IV/1	91-006 640-25	I/1	91-007 601-05	VI	91-007 666-41	I/1	91-008 864-05	I/1
91-004 172-05	IV/1	91-006 640-25	I/2	91-007 601-92	VI	91-007 667-05	I/1	91-008 874-31	I/2
91-004 173-15	IV/1	91-006 759-05	II/2	91-007 604-15	I/1	91-007 668-35	I/1	91-008 890-05	II/1
91-004 181-05	III	91-006 783-05	I/1	91-007 605-92	III	91-007 669-90	II/1	91-008 891-05	I/1
91-004 555-15	II/2	91-006 813-15	I/2	91-007 606-05	III	91-007 672-05	II/1	91-008 935-05	II/1
91-005 005-05	IV/1	91-006 885-92	II/1	91-007 607-05	III	91-007 675-45	IV/3	91-008 936-05	II/1

Nummern-Verzeichnis / Tableau des numéros / Numerical Index / Lista de números

Nr./nº/No.	Fig.	Nr./nº/No.	Fig.	Nr./nº/No.	Fig.	Nr./nº/No.	Fig.	Nr./nº/No.	Fig.
91-008 937-05	II/1	91-009 273-05	VII	91-019 689-90	III	91-029 394-01	IV/3	91-041 238-04	IV/2
91-008 938-35	II/1	91-009 294-45	II/2	91-019 853-12	VII	91-029 446-91	IV/3	91-041 296-93	V
91-008 939-05	II/1	91-009 296-01	I/1	91-020 353-91	VII	91-029 450-35	IV/3	91-041 296-93	VI
91-008 947-05	II/1	91-009 302-45	II/2	91-021 212-25	VII	91-029 480-91	IV/2	91-041 420-05	VI
91-008 949-05	II/1	91-009 327-35	IV/2	91-022 672-05	I/2	91-029 535-15	VII	91-041 421-05	VI
91-008 954-15	III	91-009 333-15	II/2	91-025 054-55	IV/2	91-029 601-25	IV/1	91-041 422-25	VI
91-008 968-05	I/1	91-009 355-31	VI	91-025 056-92	IV/2	91-029 605-55	IV/2	91-041 423-25	VI
91-008 985-05	I/1	91-009 388-92	II/2	91-025 060-92	IV/2	91-029 692-45	IV/2	91-041 424-25	VI
91-008 986-05	I/1	91-009 606-05	II/2	91-025 075-55	IV/2	91-029 831-91	IV/1	91-041 426-05	VI
91-009 008-05	II/1	91-009 609-05	II/2	91-025 076-15	IV/2	91-029 833-45	IV/3	91-041 427-91	VI
91-009 014-45	II/2	91-009 610-35	II/2	91-025 077-15	IV/2	91-029 840-91	IV/1	91-042 381-04	III
91-009 026-05	III	91-010 021-45	VI	91-025 164-05	II/2	91-029 841-05	IV/1	91-042 382-15	III
91-009 029-05	III	91-010 022-05	II/2	91-025 165-45	II/2	91-029 946-91	IV/2	91-043 522-03	I/1
91-009 033-05	III	91-010 026-31	I/2	91-025 169-92	IV/2	91-030 246-15	II/2	91-046 097-25	IV/1
91-009 048-01	III	91-010 104-05	I/1	91-025 170-15	IV/2	91-031 568-91	IV/2	91-046 196-35	IV/1
91-009 048-11	VI	91-010 107-05	IV/1	91-025 182-15	II/2	91-032 805-91	IV/3	91-046 197-91	IV/1
91-009 052-05	III	91-010 181-15	I/2	91-025 186-45	II/2	91-032 806-45	IV/3	91-046 313-03	V
91-009 075-05	III	91-010 183-05	I/2	91-025 187-15	II/2	91-032 807-91	IV/3	91-046 618-03	IV/2
91-009 076-81	VI	91-010 184-05	VI	91-025 874-05	V	91-032 808-45	IV/3	91-047 137-04	V
91-009 076-91	III	91-010 185-05	I/2	91-026 242-93	IV/2	91-032 809-45	IV/3	91-048 354-04	V
91-009 110-01	I/1	91-010 211-05	III	91-026 307-21	V	91-040 618-45	IV/1	91-048 547-04	IV/2
91-009 112-92	II/1	91-010 221-05	III	91-026 307-21	VI	91-040 621-91	IV/1	91-050 240-92	VII
91-009 117-91	II/2	91-010 808-15	V	91-026 511-04	VII	91-040 623-25	IV/1	91-050 241-91	VII
91-009 119-05	I/1	91-010 809-15	V	91-026 512-04	VII	91-041 047-05	VI	91-050 242-92	VII
91-009 148-05	II/1	91-010 810-15	V	91-026 881-04	III	91-041 060-45	IV/1	91-050 244-45	VII
91-009 148-05	III	91-010 811-15	V	91-026 883-05	III	91-041 061-45	IV/1	91-050 245-05	VII
91-009 149-05	III	91-010 812-15	V	91-026 888-04	III	91-041 063-25	IV/1	91-050 246-91	VII
91-009 186-05	II/1	91-010 813-15	V	91-026 890-05	III	91-041 066-25	IV/1	91-050 247-15	VII
91-009 224-05	II/1	91-011 722-05	I/1	91-027 271-92	IV/2	91-041 067-25	IV/1	91-050 248-91	VII
91-009 260-05	II/2	91-015 664-05	III	91-027 362-91	III	91-041 072-91	IV/1	91-050 250-92	VII
91-009 268-91	III	91-018 357-45	II/1	91-029 007-91	IV/2	91-041 076-91	IV/1	91-050 251-45	VII
91-009 273-05	II/1	91-018 357-45	III	91-029 159-90	IV/2	91-041 085-91	IV/1	91-050 252-45	VII

Nummern-Verzeichnis / Tableau de numéros / Numerical Index / Lista de números

Nr./nº/No.	Fig.	Nr./nº/No.	Fig.	Nr./nº/No.	Fig.	Nr./nº/No.	Fig.	Nr./nº/No.	Fig.
91-050 253-91	VII	91-050 291-92	49	91-061 307-05	II/1	91-129 644-05	IV/3		
91-050 254-45	VII	91-050 292-92	49	91-063 047-05	I/2	91-129 645-45	IV/3		
91-050 255-92	VII	91-050 293-92	49	91-063 048-05	I/2	91-129 646-92	IV/3		
91-050 256-91	VII	91-050 294-92	49	91-063 049-05	I/2	91-129 647-45	IV/3		
91-050 257-45	VII	91-050 295-92	49	91-063 058-91	II/1	91-129 649-45	IV/3		
91-050 258-45	VII	91-050 296-92	49	91-063 061-91	III	91-129 650-90	IV/3		
91-050 259-05	VII	91-050 297-92	49	91-063 067-05	III	91-129 660-90	IV/3		
91-050 260-05	VII	91-050 298-92	49	91-063 074-92	III	91-701 002-15	VII		
91-050 266-41	VII	91-050 299-92	49	91-063 139-91	II/1	91-701 200-15	VII		
91-050 269-05	VII	91-050 300-92	49	91-063 154-91	V	91-701 511-15	VII		
91-050 270-12	VII	91-050 301-92	49	91-063 365-90	II/1	91-701 684-15	VII		
91-050 271-05	VII	91-050 302-92	49	91-064 577-45	III	93-102 335-41	IV/2		
91-050 272-91	VII	91-050 313-05	VII	91-064 579-45	III	93-513 120-91	IV/2		
91-050 273-92	VII	91-050 314-05	VII	91-064 583-05	II/1	93-513 121-11	IV/2		
91-050 274-05	VII	91-051 186-93	VII	91-064 627-05	III	93-513 124-05	IV/2		
91-050 275-91	VII	91-051 257-15	V	91-064 786-90	VI	99-080 150-91	IV/3		
91-050 276-92	VII	91-051 383-93	V	91-064 793-90	III	99-115 034-15	IV/3		
91-050 278-05	VII	91-051 385-04	V	91-067 020-05	II/1	99-115 036-45	IV/3		
91-050 279-45	VII	91-051 386-04	V	91-080 233-05	IV/2	99-115 037-45	IV/3		
91-050 280-45	VII	91-053 332-45	IV/1	91-100 044-15	II/2	99-129 582-93	IV/3		
91-050 281-92	VII	91-053 347-21	IV/1	91-100 076-15	III				
91-050 281-92	49	91-053 749-25	I/1	91-100 213-15	I/1				
91-050 282-92	49	91-053 875-21	IV/2	91-105 443-15	II/2				
91-050 283-92	VII	91-058 026-04	VI	91-105 447-15	I/2				
91-050 283-92	49	91-058 027-04	VI	91-105 491-91	III				
91-050 284-92	49	91-061 043-92	VII	91-105 492-05	III				
91-050 285-92	49	91-061 109-92	III	91-105 493-05	III				
91-050 286-92	49	91-061 131-92	III	91-106 044-05	II/1				
91-050 287-92	49	91-061 158-05	II/1	91-129 207-11	II/2				
91-050 288-92	49	91-061 180-92	III	91-129 637-45	IV/3				
91-050 289-92	49	91-061 197-05	II/1	91-129 640-90	IV/3				
91-050 290-92	49	91-061 271-05	III	91-129 641-92	IV/3				

PFAFF[®]